



# NFC Antenna Data Sheet

**Customer Name : Getac**

**Model Name : SR-RGB36-001**

**Doc. Version : V1.0**

**Date : 2024 / 08 / 29**

Datasheet Version 1.0

---

Smart Approach Co., Ltd.  
Rm. 5, 3F., No.1, Taiyuan 2nd St.,  
Zhubei City, Hsinchu County 302,  
Taiwan, R.O.C.  
+886-3-5601363  
[www.smart-approach.com.t](http://www.smart-approach.com.t)

## Revision History

Date	Version	Description	Note
2024/08/29	V1.0	New Release	

## Specification:

### 1. Customer NFC Chip: SN-NSVG7-C01

Antenna type: Loop

### 2. Basic Specifications:

#### 2.1 Physical Specifications

##### 2.1.1 Assembly:

Parameter	Description	Note
Dimensions	Long side : $50.0 \pm 0.3\text{mm}$ Short side : $35.00 \pm 0.3\text{mm}$ Thickness : $3\text{mm}<\text{Max}>$ (without adhesive release paper & ferrite protect film)	Refer to outline drawing ( page 5 )

##### 2.1.2 PCB:

Parameter	Description	Note
Material	Substrate : PCB/FR4 Antenna : Copper	Total thickness : 1mm

##### 2.1.3 Connector+Cable:

Parameter	Description	Note
Material	Connector : I-PEX gen 4 Cable : $\varnothing 1.13$ , Black	Total length : 37.0mm

## 2.1.3 Ferrite Sheet:

Parameter	Description	Note
Type	Ferrite sheet	
Structure	Single layer	
Effective carrier frequency	13.56MHz	
Material	Stack up: (1)Adhesive Tape (2)Sintered Ferrite	Total thickness : 0.12± 0.03mm (without release film)

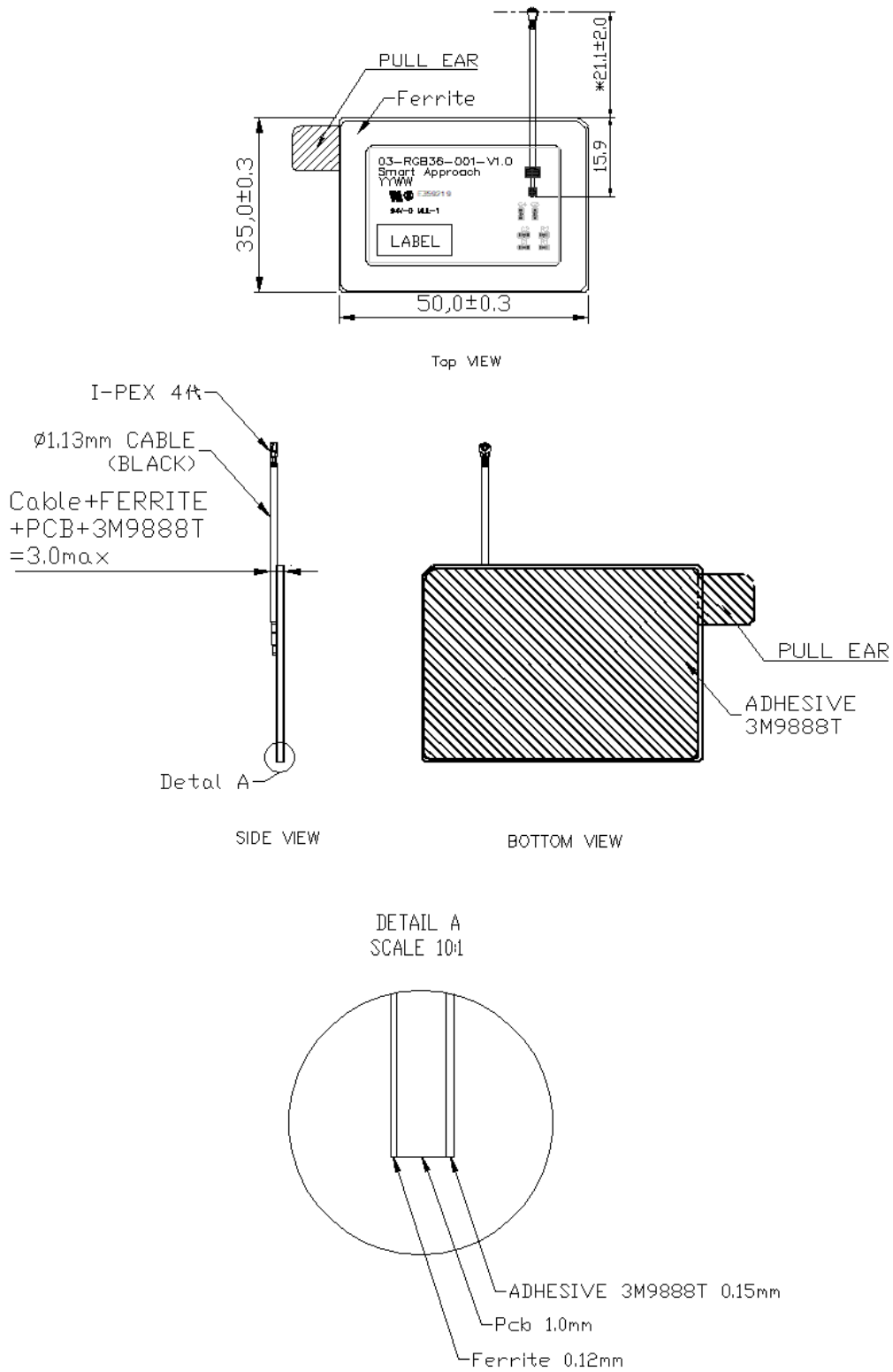
## 2.1.4 DS Tape:

Parameter	Description	Note
Material	Adhesive Type : 3M9888T	Total thickness : 0.15mm 0.03mm (without release paper)

## 2.2 Environmental Specifications:

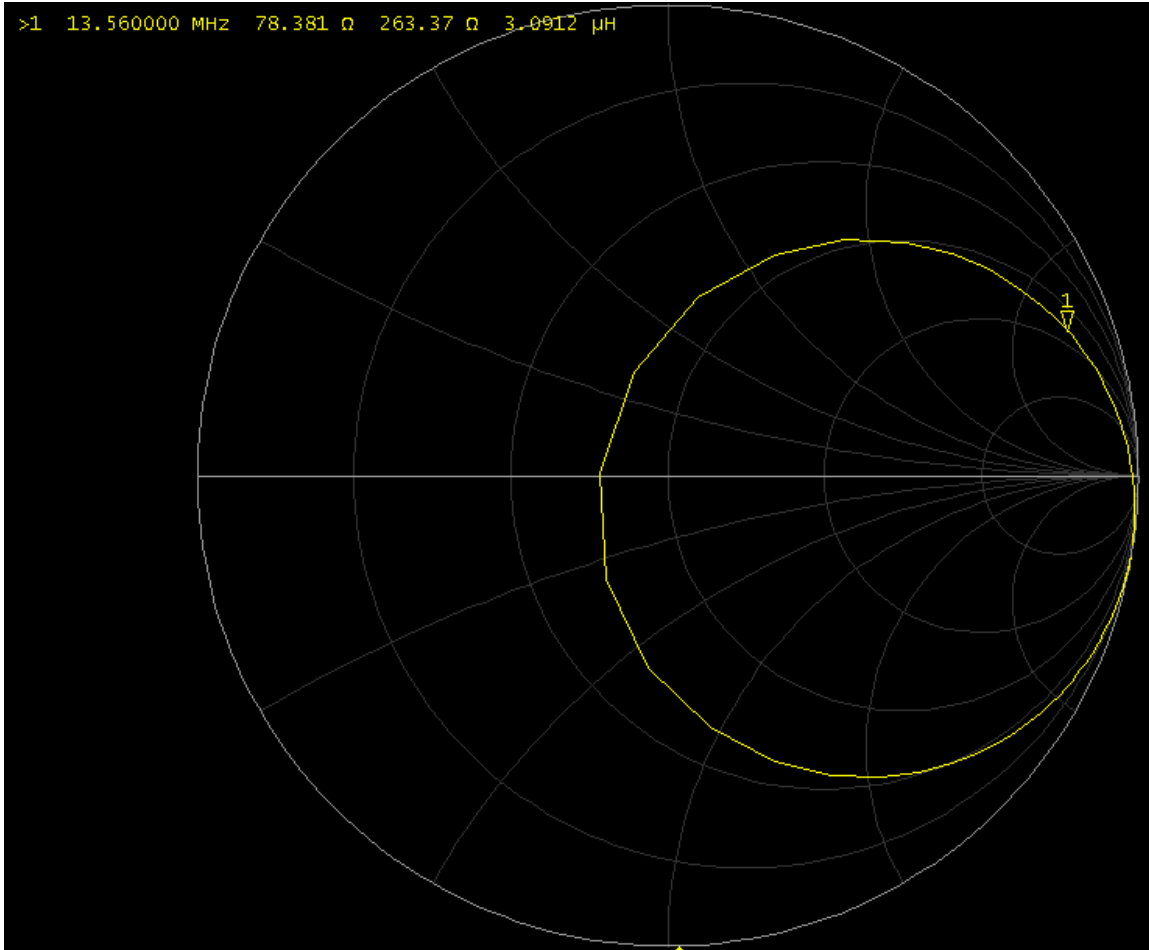
Parameter	Description	Note
Recommended Storage	+25°C @ 40% RH	
Storage Limits	Temperature : -40°C to +80°C Humidity : 20% to 90% RH	Non-condensing
Operating Limits	Temperature : -20°C to +80°C Humidity : 20% to 90% RH	Non-condensing

3. Drawing:



#### 4. Electrical Specifications:

##### 5.1 Smith chart @13.56Mhz



All measurements were performed radiated and therefore additional antenna gain document is not required.