

FCC SAR Test Report

Report No. : SA160718C45
Applicant : Getac Technology Corporation.
Address : 5F., Building A, No. 209, Sec.1, Nangang Rd.,Nangang Dist., Taipei City 11568, Taiwan, R.O.C.
Product : UHF RFID Module
FCC ID : QYLR500
Brand : Impinj
Model No. : RS500
Standards : FCC 47 CFR Part 2 (2.1093) / IEEE C95.1:1992 / IEEE Std 1528:2013
 KDB 865664 D01 v01r04 / KDB 865664 D02 v01r02
 KDB 248227 D01 v02r02 / KDB 447498 D01 v06
 KDB 941225 D01 v03r01 / KDB 941225 D05 v02r05
Sample Received Date : Jul. 18, 2016
Date of Testing : Aug. 15, 2016 ~ Sep. 06, 2016
Lab Address : No. 47-2, 14th Ling, Chia Pau Vil., Lin Kou Dist., New Taipei City, Taiwan, R.O.C.
Test Location : No. 19, Hwa Ya 2nd Rd, Wen Hwa Vil, Kwei Shan Dist., Taoyuan City 33383, Taiwan (R.O.C)

CERTIFICATION: The above equipment have been tested by **Bureau Veritas Consumer Products Services (H.K.) Ltd., Taoyuan Branch – Lin Kou Laboratories**, and found compliance with the requirement of the above standards. The test record, data evaluation & Equipment Under Test (EUT) configurations represented herein are true and accurate accounts of the measurements of the sample’s SAR characteristics under the conditions specified in this report. It should not be reproduced except in full, without the written approval of our laboratory. The client should not use it to claim product certification, approval, or endorsement by TAF or any government agencies.

This test is addition RFID accessory and recorded in the applied test report.

Prepared By : Gina Liu
 Gina Liu / Specialist
Approved By : Eli Hsu
 Eli Hsu / Supervisor



This report is for your exclusive use. Any copying or replication of this report to or for any other person or entity, or use of our name or trademark, is permitted only with our prior written permission. This report sets forth our findings solely with respect to the test samples identified herein. The results set forth in this report are not indicative or representative of the quality or characteristics of the lot from which a test sample was taken or any similar or identical product unless specifically and expressly noted. Our report includes all of the tests requested by you and the results thereof based upon the information that you provided to us. You have 60 days from date of issuance of this report to notify us of any material error or omission caused by our negligence, provided, however, that such notice shall be in writing and shall specifically address the issue you wish to raise. A failure to raise such issue within the prescribed time shall constitute your unqualified acceptance of the completeness of this report, the tests conducted and the correctness of the report contents. Unless specific mention, the uncertainty of measurement has been explicitly taken into account to declare the compliance or non-compliance to the specification.

Table of Contents

Release Control Record	3
1. Summary of Maximum SAR Value	4
2. Description of Equipment Under Test	5
3. SAR Measurement System	7
3.1 Definition of Specific Absorption Rate (SAR)	7
3.2 SPEAG DASY System	7
3.2.1 Robot.....	8
3.2.2 Probes.....	9
3.2.3 Data Acquisition Electronics (DAE)	9
3.2.4 Phantoms	10
3.2.5 Device Holder.....	11
3.2.6 System Validation Dipoles.....	11
3.2.7 Tissue Simulating Liquids.....	12
3.3 SAR System Verification	15
3.4 SAR Measurement Procedure	16
3.4.1 Area & Zoom Scan Procedure	16
3.4.2 Volume Scan Procedure.....	16
3.4.3 Power Drift Monitoring.....	17
3.4.4 Spatial Peak SAR Evaluation	17
3.4.5 SAR Averaged Methods	17
4. SAR Measurement Evaluation	18
4.1 EUT Configuration and Setting.....	18
4.2 EUT Testing Position	24
4.2.1 Body Exposure Conditions	24
4.2.1 SAR Test Exclusion Evaluations	25
4.2.2 Simultaneous Transmission Possibilities.....	27
4.3 Tissue Verification	27
4.4 System Validation.....	28
4.5 System Verification.....	28
4.6 Maximum Output Power.....	29
4.6.1 Maximum Conducted Power	29
4.6.2 Measured Conducted Power Result.....	31
4.7 SAR Testing Results	42
4.7.1 SAR Test Reduction Considerations	42
4.7.2 SAR Results for Body Exposure Condition (Separation Distance is 0 cm Gap).....	44
4.7.3 SAR Measurement Variability.....	46
4.7.4 Simultaneous Multi-band Transmission Evaluation	47
5. Calibration of Test Equipment.....	57
6. Measurement Uncertainty.....	58
7. Information on the Testing Laboratories.....	60
Appendix A. SAR Plots of System Verification	
Appendix B. SAR Plots of SAR Measurement	
Appendix C. Calibration Certificate for Probe and Dipole	
Appendix D. Photographs of EUT and Setup	



Release Control Record

Report No.	Reason for Change	Date Issued
SA160718C45	Initial release	Sep. 09, 2016

1. Summary of Maximum SAR Value

Equipment Class	Mode	Highest Reported Body SAR _{1g} (W/kg)
PCB	GSM850	0.03
	GSM1900	0.79
	WCDMA II	0.04
	WCDMA IV	0.97
	WCDMA V	0.04
	CDMA BC0	0
	CDMA BC1	0.03
	CDMA BC10	0.04
	LTE 2	0.03
	LTE 4	0.97
	LTE 5	0.14
	LTE 13	0.03
	LTE 17	0.02
	LTE 25	0.91
DTS	2.4G WLAN	0.13
NII	5.3G WLAN	1.12
	5.6G WLAN	0.89
	5.8G WLAN	0.71
DSS	Bluetooth	N/A
DSS	RFID	0.10
Highest Simultaneous Transmission SAR		Body SAR (W/kg)
PCB + DTS + DSS + DSS		1.13
PCB + NII + DSS + DSS		1.40

Note:

- The SAR limit (**Head & Body: SAR_{1g} 1.6 W/kg, Extremity: SAR_{10g} 4.0 W/kg**) for general population / uncontrolled exposure is specified in FCC 47 CFR part 2 (2.1093) and ANSI/IEEE C95.1-1992.

2. Description of Equipment Under Test

EUT Type	UHF RFID Module
FCC ID	QYLRS500
Brand Name	Impinj
Model Name	RS500
EUT Configurations	SKU A: EUT + tablet (LAN port (sierra 7355+intel 7265)) SKU B: EUT + tablet (Barcode reader (sierra 7355+intel 7265)) SKU C: EUT + tablet (Digitizer + Barcode (sierra 7355+intel 7265))
Tx Frequency Bands (Unit: MHz)	GSM850 : 824.2 ~ 848.8 GSM1900 : 1850.2 ~ 1909.8 WCDMA Band II : 1852.4 ~ 1907.6 WCDMA Band IV : 1712.4 ~ 1752.6 WCDMA Band V : 826.4 ~ 846.6 CDMA BC0 : 824.7 ~ 848.31 CDMA BC1 : 1851.25 ~ 1908.75 CDMA BC10 : 817.9 ~ 823.1 LTE Band 2 : 1850.7 ~ 1909.3 (1.4M), 1851.5 ~ 1908.5 (3M), 1852.5 ~ 1907.5 (5M), 1855 ~ 1905 (10M), 1857.5 ~ 1902.5 (15M), 1860 ~ 1900 (20M) LTE Band 4 : 1710.7 ~ 1754.3 (1.4M), 1711.5 ~ 1753.5 (3M), 1712.5 ~ 1752.5 (5M), 1715 ~ 1750 (10M), 1717.5 ~ 1747.5 (15M), 1720 ~ 1745 (20M) LTE Band 5 : 824.7 ~ 848.3 (1.4M), 825.5 ~ 847.5 (3M), 826.5 ~ 846.5 (5M), 829 ~ 844 (10M) LTE Band 13 : 779.5 ~ 784.5 (5M), 782 (10M) LTE Band 17 : 706.5 ~ 713.5 (5M), 709 ~ 711 (10M) LTE Band 25 : 1850.7 ~ 1914.3 (1.4M), 1851.5 ~ 1913.5 (3M), 1852.5 ~ 1912.5 (5M), 1855 ~ 1910 (10M), 1857.5 ~ 1907.5 (15M), 1860 ~ 1905 (20M) WLAN : 2412 ~ 2462, 5180 ~ 5240, 5260 ~ 5320, 5500 ~ 5700, 5745 ~ 5825 Bluetooth : 2402 ~ 2480 RFID : 902 ~ 928
Uplink Modulations	GSM & GPRS : GMSK EDGE : 8PSK WCDMA : QPSK CDMA : QPSK LTE : QPSK, 16QAM 802.11b : DSSS 802.11a/g/n/ac : OFDM Bluetooth : GFSK, $\pi/4$ -DQPSK, 8-DPSK RFID : ASK
Maximum Tune-up Conducted Power (Unit: dBm)	GSM850 : 32.0 GSM1900 : 29.5 WCDMA Band II : 23.5 WCDMA Band IV : 23.0 WCDMA Band V : 23.0 CDMA BC0 : 24.0 CDMA BC1 : 24.0 CDMA BC10 : 24.0 LTE Band 2 : 22.7 LTE Band 4 : 22.8 LTE Band 5 : 22.3 LTE Band 13 : 22.5 LTE Band 7 : 22.7 LTE Band 25 : 22.6 WLAN 2.4G : 17.0 WLAN 5.2G : 16.0 WLAN 5.3G : 16.0 WLAN 5.6G : 15.5 WLAN 5.8G : 15.5 Bluetooth : 7.5 RFID : 18.0
Antenna Type	Module Antenna
EUT Stage	Engineering Sample

FCC SAR Test Report

Note:

1. Only RFID test item had been tested for this addendum in this report and the BT / WLAN (FCC ID: QYL7265NG) & WWAN (FCC ID: QYLEM7355T) .
2. The EUT is authorized for use in specific End-product. Please refer to below table for more details.

Item	Brand Name	Model Name
Tablet	Getac	T800

3. The End-product contains 3 SKU. The configurations of all SKU are listed as below.

Part	Brand	Model	Specification	Configuration		
				SKU A	SKU B	SKU C
GPS	GlobalSat	MT-5110C	GPS	V	V	V
CPU	N/A	Z8700	Speed:1.6GHz	V	V	V
SSD	Hynix	H26M78103CCR	64GB	V		
	Sandisk	SDIN8CE4-128G	128GB		V	V
OCD	FOXLINK	FO20FF-505H	Camera	V	V	V
		FO80AF-506H	Webcam	V	V	V
Option Bay	N/A	N/A	LAN	V		
	N/A	N/A	Barcode Reader		V	V
WWAN Module	Sierra	EM7355	--	V	V	V
WiFi & BT Module	Intel	7265NGW	--	V	V	V
Digitizer	Hanvon	TP-018S-H1S1-GT	--			V

4. The above EUT information is declared by manufacturer and for more detailed features description please refers to the manufacturer's specifications or User's Manual.

3. SAR Measurement System

3.1 Definition of Specific Absorption Rate (SAR)

SAR is related to the rate at which energy is absorbed per unit mass in an object exposed to a radio field. The SAR distribution in a biological body is complicated and is usually carried out by experimental techniques or numerical modeling. The standard recommends limits for two tiers of groups, occupational/controlled and general population/uncontrolled, based on a person’s awareness and ability to exercise control over his or her exposure. In general, occupational/controlled exposure limits are higher than the limits for general population/uncontrolled.

The SAR definition is the time derivative (rate) of the incremental energy (dW) absorbed by (dissipated in) an incremental mass (dm) contained in a volume element (dv) of a given density (ρ). The equation description is as below:

$$SAR = \frac{d}{dt} \left(\frac{dW}{dm} \right) = \frac{d}{dt} \left(\frac{dW}{\rho dv} \right)$$

SAR is expressed in units of Watts per kilogram (W/kg)

SAR measurement can be related to the electrical field in the tissue by

$$SAR = \frac{\sigma |E|^2}{\rho}$$

Where: σ is the conductivity of the tissue, ρ is the mass density of the tissue and E is the RMS electrical field strength.

3.2 SPEAG DASY System

DASY system consists of high precision robot, probe alignment sensor, phantom, robot controller, controlled measurement server and near-field probe. The robot includes six axes that can move to the precision position of the DASY4/5 software defined. The DASY software can define the area that is detected by the probe. The robot is connected to controlled box. Controlled measurement server is connected to the controlled robot box. The DAE includes amplifier, signal multiplexing, AD converter, offset measurement and surface detection. It is connected to the Electro-optical coupler (ECO). The ECO performs the conversion from the optical into digital electric signal of the DAE and transfers data to the PC.

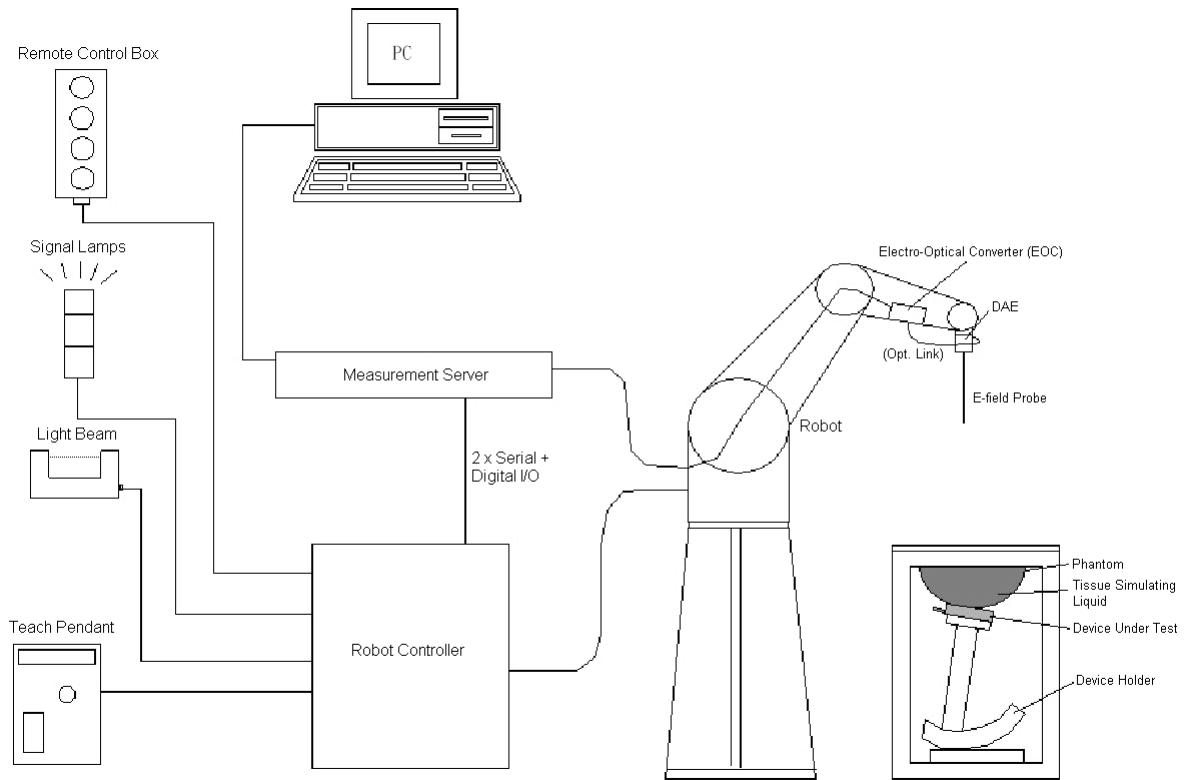


Fig-3.1 SPEAG DASY52 System Setup

3.2.1 Robot

The SPEAG DASY52 systems use the high precision robots from Stäubli SA (France). For the 6-axis controller system, the robot controller version (CS8c) from Stäubli is used. The Stäubli robot series have many features that are important for our application:

- High precision (repeatability ± 0.035 mm)
- High reliability (industrial design)
- Jerk-free straight movements
- Low ELF interference (the closed metallic construction shields against motor control fields)





Fig-3.2 SPEAG DASY52 System

FCC SAR Test Report


3.2.2 Probes

The SAR measurement is conducted with the dosimetric probe. The probe is specially designed and calibrated for use in liquid with high permittivity. The dosimetric probe has special calibration in liquid at different frequency.

Model	EX3DV4	
Construction	Symmetrical design with triangular core. Built-in shielding against static charges. PEEK enclosure material (resistant to organic solvents, e.g., DGBE).	
Frequency	10 MHz to 6 GHz Linearity: ± 0.2 dB	
Directivity	± 0.3 dB in HSL (rotation around probe axis) ± 0.5 dB in tissue material (rotation normal to probe axis)	
Dynamic Range	10 μ W/g to 100 mW/g Linearity: ± 0.2 dB (noise: typically < 1 μ W/g)	
Dimensions	Overall length: 337 mm (Tip: 20 mm) Tip diameter: 2.5 mm (Body: 12 mm) Typical distance from probe tip to dipole centers: 1 mm	


Model	ES3DV3	
Construction	Symmetrical design with triangular core. Interleaved sensors. Built-in shielding against static charges. PEEK enclosure material (resistant to organic solvents, e.g., DGBE).	
Frequency	10 MHz to 4 GHz Linearity: ± 0.2 dB	
Directivity	± 0.2 dB in HSL (rotation around probe axis) ± 0.3 dB in tissue material (rotation normal to probe axis)	
Dynamic Range	5 μ W/g to 100 mW/g Linearity: ± 0.2 dB	
Dimensions	Overall length: 337 mm (Tip: 20 mm) Tip diameter: 3.9 mm (Body: 12 mm) Distance from probe tip to dipole centers: 2.0 mm	


3.2.3 Data Acquisition Electronics (DAE)

Model	DAE3, DAE4	
Construction	Signal amplifier, multiplexer, A/D converter and control logic. Serial optical link for communication with DASY embedded system (fully remote controlled). Two step probe touch detector for mechanical surface detection and emergency robot stop.	
Measurement Range	-100 to +300 mV (16 bit resolution and two range settings: 4mV, 400mV)	
Input Offset Voltage	< 5 μ V (with auto zero)	
Input Bias Current	< 50 fA	
Dimensions	60 x 60 x 68 mm	

FCC SAR Test Report


3.2.4 Phantoms


Model	Twin SAM	
Construction	The shell corresponds to the specifications of the Specific Anthropomorphic Mannequin (SAM) phantom defined in IEEE 1528 and IEC 62209-1. It enables the dosimetric evaluation of left and right hand phone usage as well as body mounted usage at the flat phantom region. A cover prevents evaporation of the liquid. Reference markings on the phantom allow the complete setup of all predefined phantom positions and measurement grids by teaching three points with the robot.	
Material	Vinylester, glass fiber reinforced (VE-GF)	
Shell Thickness	2 ± 0.2 mm (6 ± 0.2 mm at ear point)	
Dimensions	Length: 1000 mm Width: 500 mm Height: adjustable feet	
Filling Volume	approx. 25 liters	

Model	ELI	
Construction	Phantom for compliance testing of handheld and body-mounted wireless devices in the frequency range of 30 MHz to 6 GHz. ELI is fully compatible with the IEC 62209-2 standard and all known tissue simulating liquids. ELI has been optimized regarding its performance and can be integrated into our standard phantom tables. A cover prevents evaporation of the liquid. Reference markings on the phantom allow installation of the complete setup, including all predefined phantom positions and measurement grids, by teaching three points. The phantom is compatible with all SPEAG dosimetric probes and dipoles.	
Material	Vinylester, glass fiber reinforced (VE-GF)	
Shell Thickness	2.0 ± 0.2 mm (bottom plate)	
Dimensions	Major axis: 600 mm Minor axis: 400 mm	
Filling Volume	approx. 30 liters	


FCC SAR Test Report

3.2.5 Device Holder

Model	Mounting Device	
Construction	In combination with the Twin SAM Phantom or ELI4, the Mounting Device enables the rotation of the mounted transmitter device in spherical coordinates. Rotation point is the ear opening point. Transmitter devices can be easily and accurately positioned according to IEC, IEEE, FCC or other specifications. The device holder can be locked for positioning at different phantom sections (left head, right head, flat).	
Material	POM	

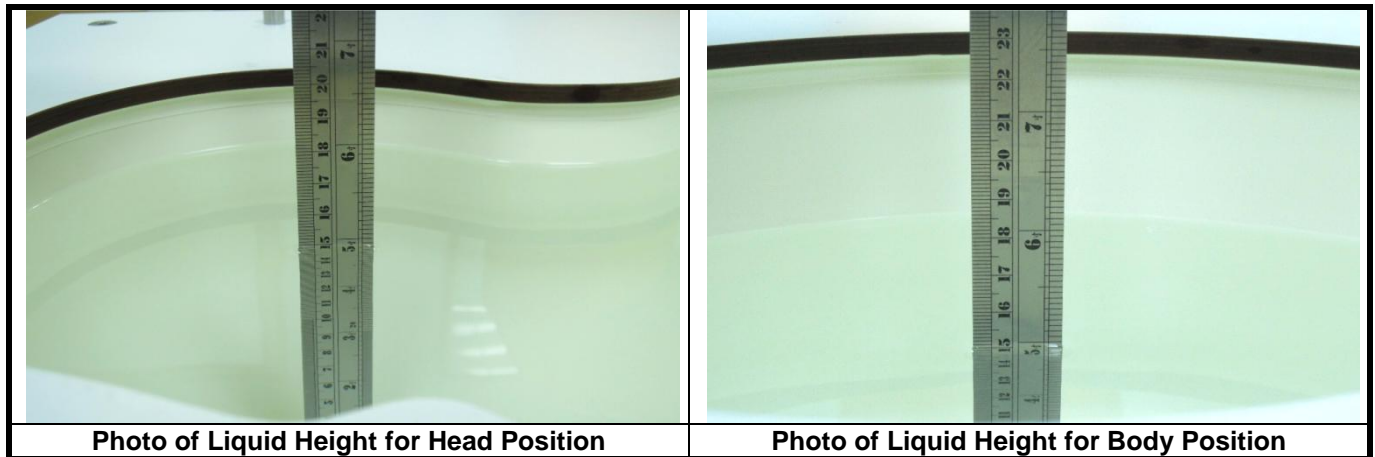
Model	Laptop Extensions Kit	
Construction	Simple but effective and easy-to-use extension for Mounting Device that facilitates the testing of larger devices according to IEC 62209-2 (e.g., laptops, cameras, etc.). It is lightweight and fits easily on the upper part of the Mounting Device in place of the phone positioner.	
Material	POM, Acrylic glass, Foam	

3.2.6 System Validation Dipoles

Model	D-Serial	
Construction	Symmetrical dipole with 1/4 balun. Enables measurement of feed point impedance with NWA. Matched for use near flat phantoms filled with tissue simulating solutions.	
Frequency	750 MHz to 5800 MHz	
Return Loss	> 20 dB	
Power Capability	> 100 W (f < 1GHz), > 40 W (f > 1GHz)	

3.2.7 Tissue Simulating Liquids

For SAR measurement of the field distribution inside the phantom, the phantom must be filled with homogeneous tissue simulating liquid to a depth of at least 15 cm. For head SAR testing, the liquid height from the ear reference point (ERP) of the phantom to the liquid top surface is larger than 15 cm. For body SAR testing, the liquid height from the center of the flat phantom to the liquid top surface is larger than 15 cm. The nominal dielectric values of the tissue simulating liquids in the phantom and the tolerance of 5% are listed in Table-3.1.



The dielectric properties of the head tissue simulating liquids are defined in IEEE 1528, and KDB 865664 D01 Appendix A. For the body tissue simulating liquids, the dielectric properties are defined in KDB 865664 D01 Appendix A. The dielectric properties of the tissue simulating liquids were verified prior to the SAR evaluation using a dielectric assessment kit and a network analyzer.

Table-3.1 Targets of Tissue Simulating Liquid

Frequency (MHz)	Target Permittivity	Range of $\pm 5\%$	Target Conductivity	Range of $\pm 5\%$
For Head				
750	41.9	39.8 ~ 44.0	0.89	0.85 ~ 0.93
835	41.5	39.4 ~ 43.6	0.90	0.86 ~ 0.95
900	41.5	39.4 ~ 43.6	0.97	0.92 ~ 1.02
1450	40.5	38.5 ~ 42.5	1.20	1.14 ~ 1.26
1640	40.3	38.3 ~ 42.3	1.29	1.23 ~ 1.35
1750	40.1	38.1 ~ 42.1	1.37	1.30 ~ 1.44
1800	40.0	38.0 ~ 42.0	1.40	1.33 ~ 1.47
1900	40.0	38.0 ~ 42.0	1.40	1.33 ~ 1.47
2000	40.0	38.0 ~ 42.0	1.40	1.33 ~ 1.47
2300	39.5	37.5 ~ 41.5	1.67	1.59 ~ 1.75
2450	39.2	37.2 ~ 41.2	1.80	1.71 ~ 1.89
2600	39.0	37.1 ~ 41.0	1.96	1.86 ~ 2.06
3500	37.9	36.0 ~ 39.8	2.91	2.76 ~ 3.06
5200	36.0	34.2 ~ 37.8	4.66	4.43 ~ 4.89
5300	35.9	34.1 ~ 37.7	4.76	4.52 ~ 5.00
5500	35.6	33.8 ~ 37.4	4.96	4.71 ~ 5.21
5600	35.5	33.7 ~ 37.3	5.07	4.82 ~ 5.32
5800	35.3	33.5 ~ 37.1	5.27	5.01 ~ 5.53
For Body				
750	55.5	52.7 ~ 58.3	0.96	0.91 ~ 1.01
835	55.2	52.4 ~ 58.0	0.97	0.92 ~ 1.02
900	55.0	52.3 ~ 57.8	1.05	1.00 ~ 1.10
1450	54.0	51.3 ~ 56.7	1.30	1.24 ~ 1.37
1640	53.8	51.1 ~ 56.5	1.40	1.33 ~ 1.47
1750	53.4	50.7 ~ 56.1	1.49	1.42 ~ 1.56
1800	53.3	50.6 ~ 56.0	1.52	1.44 ~ 1.60
1900	53.3	50.6 ~ 56.0	1.52	1.44 ~ 1.60
2000	53.3	50.6 ~ 56.0	1.52	1.44 ~ 1.60
2300	52.9	50.3 ~ 55.5	1.81	1.72 ~ 1.90
2450	52.7	50.1 ~ 55.3	1.95	1.85 ~ 2.05
2600	52.5	49.9 ~ 55.1	2.16	2.05 ~ 2.27
3500	51.3	48.7 ~ 53.9	3.31	3.14 ~ 3.48
5200	49.0	46.6 ~ 51.5	5.30	5.04 ~ 5.57
5300	48.9	46.5 ~ 51.3	5.42	5.15 ~ 5.69
5500	48.6	46.2 ~ 51.0	5.65	5.37 ~ 5.93
5600	48.5	46.1 ~ 50.9	5.77	5.48 ~ 6.06
5800	48.2	45.8 ~ 50.6	6.00	5.70 ~ 6.30

FCC SAR Test Report

The following table gives the recipes for tissue simulating liquids.

Table-3.2 Recipes of Tissue Simulating Liquid

Tissue Type	Bactericide	DGBE	HEC	NaCl	Sucrose	Triton X-100	Water	Diethylene Glycol Mono-hexylether
H750	0.2	-	0.2	1.5	56.0	-	42.1	-
H835	0.2	-	0.2	1.5	57.0	-	41.1	-
H900	0.2	-	0.2	1.4	58.0	-	40.2	-
H1450	-	43.3	-	0.6	-	-	56.1	-
H1640	-	45.8	-	0.5	-	-	53.7	-
H1750	-	47.0	-	0.4	-	-	52.6	-
H1800	-	44.5	-	0.3	-	-	55.2	-
H1900	-	44.5	-	0.2	-	-	55.3	-
H2000	-	44.5	-	0.1	-	-	55.4	-
H2300	-	44.9	-	0.1	-	-	55.0	-
H2450	-	45.0	-	0.1	-	-	54.9	-
H2600	-	45.1	-	0.1	-	-	54.8	-
H3500	-	8.0	-	0.2	-	20.0	71.8	-
H5G	-	-	-	-	-	17.2	65.5	17.3
B750	0.2	-	0.2	0.8	48.8	-	50.0	-
B835	0.2	-	0.2	0.9	48.5	-	50.2	-
B900	0.2	-	0.2	0.9	48.2	-	50.5	-
B1450	-	34.0	-	0.3	-	-	65.7	-
B1640	-	32.5	-	0.3	-	-	67.2	-
B1750	-	31.0	-	0.2	-	-	68.8	-
B1800	-	29.5	-	0.4	-	-	70.1	-
B1900	-	29.5	-	0.3	-	-	70.2	-
B2000	-	30.0	-	0.2	-	-	69.8	-
B2300	-	31.0	-	0.1	-	-	68.9	-
B2450	-	31.4	-	0.1	-	-	68.5	-
B2600	-	31.8	-	0.1	-	-	68.1	-
B3500	-	28.8	-	0.1	-	-	71.1	-
B5G	-	-	-	-	-	10.7	78.6	10.7

3.3 SAR System Verification

The system check verifies that the system operates within its specifications. It is performed daily or before every SAR measurement. The system check uses normal SAR measurements in the flat section of the phantom with a matched dipole at a specified distance. The system verification setup is shown as below.

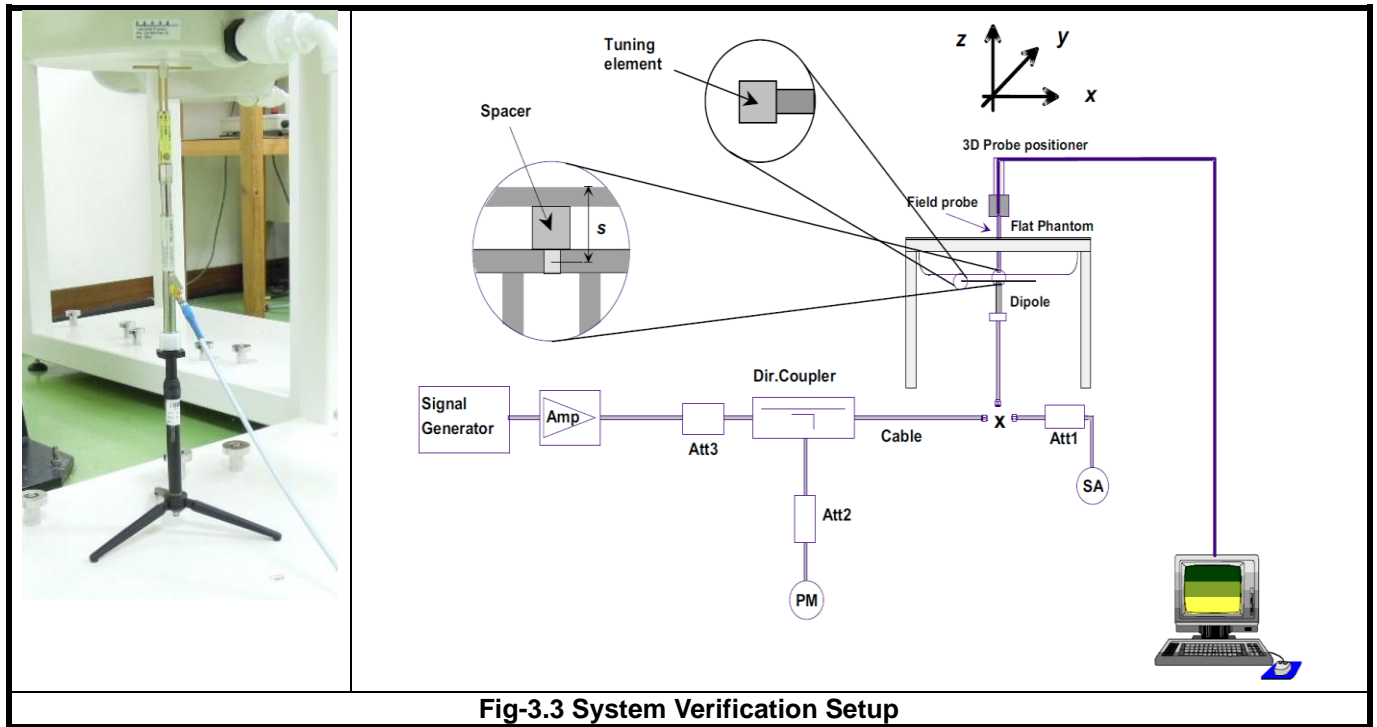


Fig-3.3 System Verification Setup

The validation dipole is placed beneath the flat phantom with the specific spacer in place. The distance spacer is touch the phantom surface with a light pressure at the reference marking and be oriented parallel to the long side of the phantom. The spectrum analyzer measures the forward power at the location of the system check dipole connector. The signal generator is adjusted for the desired forward power (250 mW is used for 700 MHz to 3 GHz, 100 mW is used for 3.5 GHz to 6 GHz) at the dipole connector and the power meter is read at that level. After connecting the cable to the dipole, the signal generator is readjusted for the same reading at power meter.

After system check testing, the SAR result will be normalized to 1W forward input power and compared with the reference SAR value derived from validation dipole certificate report. The deviation of system check should be within 10 %.

3.4 SAR Measurement Procedure

According to the SAR test standard, the recommended procedure for assessing the peak spatial-average SAR value consists of the following steps:

- (a) Power reference measurement
- (b) Area scan
- (c) Zoom scan
- (d) Power drift measurement

The SAR measurement procedures for each of test conditions are as follows:

- (a) Make EUT to transmit maximum output power
- (b) Measure conducted output power through RF cable
- (c) Place the EUT in the specific position of phantom
- (d) Perform SAR testing steps on the DASY system
- (e) Record the SAR value

3.4.1 Area & Zoom Scan Procedure

First Area Scan is used to locate the approximate location(s) of the local peak SAR value(s). The measurement grid within an Area Scan is defined by the grid extent, grid step size and grid offset. Next, in order to determine the EM field distribution in a three-dimensional spatial extension, Zoom Scan is required. The Zoom Scan is performed around the highest E-field value to determine the averaged SAR-distribution over 10 g. According to KDB 865664 D01, the resolution for Area and Zoom scan is specified in the table below.

Items	<= 2 GHz	2-3 GHz	3-4 GHz	4-5 GHz	5-6 GHz
Area Scan ($\Delta x, \Delta y$)	<= 15 mm	<= 12 mm	<= 12 mm	<= 10 mm	<= 10 mm
Zoom Scan ($\Delta x, \Delta y$)	<= 8 mm	<= 5 mm	<= 5 mm	<= 4 mm	<= 4 mm
Zoom Scan (Δz)	<= 5 mm	<= 5 mm	<= 4 mm	<= 3 mm	<= 2 mm
Zoom Scan Volume	>= 30 mm	>= 30 mm	>= 28 mm	>= 25 mm	>= 22 mm

Note:

When zoom scan is required and report SAR is <= 1.4 W/kg, the zoom scan resolution of $\Delta x / \Delta y$ (2-3GHz: <= 8 mm, 3-4GHz: <= 7 mm, 4-6GHz: <= 5 mm) may be applied.

3.4.2 Volume Scan Procedure

The volume scan is used for assess overlapping SAR distributions for antennas transmitting in different frequency bands. It is equivalent to an oversized zoom scan used in standalone measurements. The measurement volume will be used to enclose all the simultaneous transmitting antennas. For antennas transmitting simultaneously in different frequency bands, the volume scan is measured separately in each frequency band. In order to sum correctly to compute the 1g aggregate SAR, the EUT remain in the same test position for all measurements and all volume scan use the same spatial resolution and grid spacing. When all volume scan were completed, the software, SEMCAD postprocessor can combine and subsequently superpose these measurement data to calculating the multiband SAR.

3.4.3 Power Drift Monitoring

All SAR testing is under the EUT install full charged battery and transmit maximum output power. In DASYS measurement software, the power reference measurement and power drift measurement procedures are used for monitoring the power drift of EUT during SAR test. Both these procedures measure the field at a specified reference position before and after the SAR testing. The software will calculate the field difference in dB. If the power drift more than 5%, the SAR will be retested.

3.4.4 Spatial Peak SAR Evaluation

The procedure for spatial peak SAR evaluation has been implemented according to the test standard. It can be conducted for 1g and 10g, as well as for user-specific masses. The DASYS software includes all numerical procedures necessary to evaluate the spatial peak SAR value.

The base for the evaluation is a "cube" measurement. The measured volume must include the 1g and 10g cubes with the highest averaged SAR values. For that purpose, the center of the measured volume is aligned to the interpolated peak SAR value of a previously performed area scan.

The entire evaluation of the spatial peak values is performed within the post-processing engine (SEMCAD). The system always gives the maximum values for the 1g and 10g cubes. The algorithm to find the cube with highest averaged SAR is divided into the following stages:

- (a) Extraction of the measured data (grid and values) from the Zoom Scan
- (b) Calculation of the SAR value at every measurement point based on all stored data (A/D values and measurement parameters)
- (c) Generation of a high-resolution mesh within the measured volume
- (d) Interpolation of all measured values from the measurement grid to the high-resolution grid
- (e) Extrapolation of the entire 3-D field distribution to the phantom surface over the distance from sensor to surface
- (f) Calculation of the averaged SAR within masses of 1g and 10g

3.4.5 SAR Averaged Methods

In DASYS, the interpolation and extrapolation are both based on the modified Quadratic Shepard's method. The interpolation scheme combines a least-square fitted function method and a weighted average method which are the two basic types of computational interpolation and approximation.

Extrapolation routines are used to obtain SAR values between the lowest measurement points and the inner phantom surface. The extrapolation distance is determined by the surface detection distance and the probe sensor offset. The uncertainty increases with the extrapolation distance. To keep the uncertainty within 1% for the 1 g and 10 g cubes, the extrapolation distance should not be larger than 5 mm.

4. SAR Measurement Evaluation

4.1 EUT Configuration and Setting

<Connections between EUT and System Simulator>

For WWAN SAR testing, the EUT was linked and controlled by base station emulator (Agilent E5515C is used for GSM/WCDMA/CDMA, and Anritsu MT8820C is used for LTE). Communication between the EUT and the emulator was established by air link. The distance between the EUT and the communicating antenna of the emulator is larger than 50 cm and the output power radiated from the emulator antenna is at least 30 dB smaller than the output power of EUT. The EUT was set from the emulator to radiate maximum output power during SAR testing.

<Considerations Related to GSM / GPRS / EDGE for Setup and Testing>

The maximum multi-slot capability supported by this device is as below.

1. This EUT is class B device
2. This EUT supports GPRS multi-slot class 10 (max. uplink: 2, max. downlink: 4, total timeslots: 5)
3. This EUT supports EDGE multi-slot class 12 (max. uplink: 4, max. downlink: 4, total timeslots: 5)

For GSM850 frequency band, the power control level is set to 5 for GSM mode and GPRS (GMSK: CS1), and set to 8 for EDGE (GMSK: MCS1, 8PSK: MCS9). For GSM1900 frequency band, the power control level is set to 0 for GSM mode and GPRS (GMSK: CS1), and set to 2 for EDGE (GMSK: MCS1, 8PSK: MCS9).

SAR test reduction for GPRS and EDGE modes is determined by the source-based time-averaged output power specified for production units, including tune-up tolerance. The data mode with highest specified time-averaged output power should be tested for SAR compliance in the applicable exposure conditions. For modes with the same specified maximum output power and tolerance, the higher number time-slot configuration should be tested.

<Considerations Related to WCDMA for Setup and Testing>

WCDMA Handsets Body-worn SAR

SAR for body-worn configurations is measured using a 12.2 kbps RMC with TPC bits configured to all “1’s”. The 3G SAR test reduction procedure is applied to other spreading codes and multiple DPDCH_n configurations supported by the handset with 12.2 kbps RMC as the primary mode.

Handsets with Release 5 HSDPA

The 3G SAR test reduction procedure is applied to HSDPA body-worn configurations with 12.2 kbps RMC as the primary mode. Otherwise, SAR is measured for HSDPA using the HSDPA body SAR procedures in the “Release 5 HSDPA Data Devices”, for the highest reported SAR body-worn exposure configuration in 12.2 kbps RMC. Handsets with both HSDPA and HSUPA are tested according to Release 6 HSPA test procedures.

Handsets with Release 6 HSUPA

The 3G SAR test reduction procedure is applied to HSPA (HSUPA/HSDPA with RMC) body-worn configurations with 12.2 kbps RMC as the primary mode. Otherwise, SAR is measured for HSPA using the HSPA body SAR procedures in the “Release 6 HSPA Data Devices”, for the highest reported body-worn exposure SAR configuration in 12.2 kbps RMC. When VOIP is applicable for next to the ear head exposure in HSPA, the 3G SAR test reduction procedure is applied to HSPA with 12.2 kbps RMC as the primary mode; otherwise, the same HSPA configuration used for body-worn measurements is tested for next to the ear head exposure.

Release 5 HSDPA Data Devices

The 3G SAR test reduction procedure is applied to body SAR with 12.2 kbps RMC as the primary mode. Otherwise, body SAR for HSDPA is measured using an FRC with H-Set 1 in Sub-test 1 and a 12.2 kbps RMC configured in Test Loop Mode 1, for the highest reported SAR configuration in 12.2 kbps RMC without HSDPA. HSDPA is configured according to the applicable UE category of a test device. The number of HS-DSCH / HS-PDSCHs, HARQ processes, minimum inter-TTI interval, transport block sizes and RV coding sequence are defined by the H-set. To maintain a consistent test configuration and stable transmission conditions, QPSK is used in the H-set for SAR testing. HS-DPCCH should be configured with a CQI feedback cycle of 4 ms and a CQI repetition factor of 2 to maintain a constant rate of active CQI slots. DPCCH and DPDCH gain factors (β_c , β_d), and HS-DPCCH power offset parameters (Δ_{ACK} , Δ_{NACK} , Δ_{CQI}) are set according to values indicated in below. The CQI value is determined by the UE category, transport block size, number of HS-PDSCHs and modulation used in the H-set.

Sub-test	β_c	β_d	β_d (SF)	β_c / β_d	$\beta_{hs}^{(1)}$	CM (dB) ⁽²⁾	MPR
1	2 / 15	15 / 15	64	2 / 15	4 / 15	0.0	0
2	12 / 15 ⁽³⁾	15 / 15 ⁽³⁾	64	12 / 15 ⁽³⁾	24 / 15	1.0	0
3	15 / 15	8 / 15	64	15 / 8	30 / 15	1.5	0.5
4	15 / 15	4 / 15	64	15 / 4	30 / 15	1.5	0.5

Note 1: Δ_{ACK} , Δ_{NACK} and $\Delta_{CQI} = 8 \Leftrightarrow A_{hs} = \beta_{hs} / \beta_c = 30 / 15 \Leftrightarrow \beta_{hs} = 30 / 15 * \beta_c$.
 Note 2: CM = 1 for $\beta_c / \beta_d = 12 / 15$, $\beta_{hs} / \beta_c = 24 / 15$.
 Note 3: For subtest 2 the β_c / β_d ratio of 12 / 15 for the TFC during the measurement period (TF1, TF0) is achieved by setting the signaled gain factors for the reference TFC (TF1, TF1) to $\beta_c = 11 / 15$ and $\beta_d = 15 / 15$.

Release 6 HSUPA Data Devices

The 3G SAR test reduction procedure is applied to body SAR with 12.2 kbps RMC as the primary mode. Otherwise, body SAR for HSPA is measured with E-DCH Sub-test 5, using H-Set 1 and QPSK for FRC and a 12.2 kbps RMC configured in Test Loop Mode 1 and power control algorithm 2, according to the highest reported body SAR configuration in 12.2 kbps RMC without HSPA. When VOIP applies to head exposure, the 3G SAR test reduction procedure is applied with 12.2 kbps RMC as the primary mode. Otherwise, the same HSPA configuration used for body SAR measurements are applied to head exposure testing. Due to inner loop power control requirements in HSPA, a communication test set is required for output power and SAR tests. The 12.2 kbps RMC, FRC H-set 1 and E-DCH configurations for HSPA are configured according to the β values indicated in below.

Sub-test	β_c	β_d	β_d (SF)	β_c / β_d	$\beta_{hs}^{(1)}$	β_{ec}	β_{ed}	β_{ed} (SF)	β_{ed} (codes)	CM ⁽²⁾ (dB)	MPR (dB)	AG ⁽⁴⁾ Index	E-TFCI
1	11 / 15 ⁽³⁾	15 / 15 ⁽³⁾	64	11 / 15 ⁽³⁾	22 / 15	209 / 225	1039 / 225	4	1	1.0	0.0	20	75
2	6 / 15	15 / 15	64	6 / 15	12 / 15	12 / 15	94 / 75	4	1	3.0	2.0	12	67
3	15 / 15	9 / 15	64	15 / 9	30 / 15	30 / 15	$\beta_{ed1}: 47/15$ $\beta_{ed2}: 47/15$	4	2	2.0	1.0	15	92
4	2 / 15	15 / 15	64	2 / 15	4 / 15	2 / 15	56 / 75	4	1	3.0	2.0	17	71
5	15 / 15 ⁽⁴⁾	15 / 15 ⁽⁴⁾	64	15 / 15 ⁽⁴⁾	30 / 15	24 / 15	134 / 15	4	1	1.0	0.0	21	81

Note 1: $\Delta_{ACK}, \Delta_{NACK}$ and $\Delta_{CQI} = 8 \Leftrightarrow A_{hs} = \beta_{hs} / \beta_c = 30 / 15 \Leftrightarrow \beta_{hs} = 30 / 15 * \beta_c$
 Note 2: CM = 1 for $\beta_c / \beta_d = 12 / 15, \beta_{hs} / \beta_c = 24 / 15$. For all other combinations of DPDCH, DPCCH, HS-DPCCH, E-DPDCH and E-DPCCH the MPR is based on the relative CM difference.
 Note 3: For subtest 1 the β_c / β_d ratio of 11 / 15 for the TFC during the measurement period (TF1, TF0) is achieved by setting the signaled gain factors for the reference TFC (TF1, TF1) to $\beta_c = 10 / 15$ and $\beta_d = 15 / 15$.
 Note 4: For subtest 5 the β_c / β_d ratio of 15 / 15 for the TFC during the measurement period (TF1, TF0) is achieved by setting the signaled gain factors for the reference TFC (TF1, TF1) to $\beta_c = 14 / 15$ and $\beta_d = 15 / 15$.
 Note 5: Testing UE using E-DPDCH Physical Layer category 1 Sub-test 3 is not required according to TS 25.306 Table 5.1g.
 Note 6: β_{ed} cannot be set directly; it is set by Absolute Grant Value.

<Considerations Related to CDMA for Setup and Testing>

CDMA 1xRTT Handsets Body-worn SAR

Body-worn SAR is measured in RC3 with the handset configured in TDSO/SO32 to transmit at full rate on FCH only with all other code channels disabled. The 3G SAR test reduction procedure is applied to the multiple code channel configuration (FCH + SCH_n), with FCH only as the primary mode. Otherwise, SAR is required for multiple code channel configuration (FCH + SCH_n), with FCH at full rate and SCH₀ enabled at 9600 bps, using the highest reported SAR configuration for FCH only. The 3G SAR test reduction procedure is applied to body-worn SAR in RC1 with RC3 as the primary mode. Otherwise, SAR is required for RC1, with SO55 and full rate, using the highest reported SAR configuration for body-worn exposure in RC3.

FCC SAR Test Report

Handsets with built-in EV-DO

The 3G SAR test reduction procedure is applied to EV-DO Rev. 0 with 1xRTT RC3 as the primary mode to determine body-worn test requirements. Otherwise, body-worn SAR is required for Rev. 0, at 153.6 kbps, using the highest reported SAR configuration for body-worn exposure in RC3. The 3G SAR test reduction procedure is applied separately to Rev. A and Rev. B, with Rev. 0 as the primary mode to determine body-worn SAR test requirements. When SAR is not required for Rev. 0, the 3G SAR test reduction is applied with 1xRTT RC3 as the primary mode. Otherwise, SAR is required for Rev. A or Rev. B, with a Reverse Data Channel payload size of 4096 bits and a Termination Target of 16 slots defined for Subtype 2 and 3 Physical Layer configurations, using the highest reported SAR configuration for body-worn exposure in Rev. 0 or RC3, as appropriate. A Forward Traffic Channel data rate corresponding to the 2-slot version of 307.2 kbps with ACK Channel transmitting in all slots is configured in the downlink for Rev. 0, Rev. A and Rev. B.

EV-DO Data Devices

SAR is measured using the F/R TAP configurations required for Rev. 0, Rev. A and Rev. B. The AT is tested with a Reverse Data Channel rate of 153.6 kbps in Subtype 0/1 Physical Layer configurations. A Reverse Data Channel payload size of 4096 bits and Termination Target of 16 slots are used for Subtype 2 and 3. FTAP, FETAP and FMCTAP are all configured with a Forward Traffic Channel data rate corresponding to the 2-slot version of 307.2 kbps with ACK Channel transmitting in all slots. AT power control is in "All Bits Up" conditions for the TAP / ETAP / MCTAP. Body-worn and other body SAR are measured using Subtype 0/1 Physical Layer configurations for Rev. 0. The 3G SAR test reduction procedure is applied to Rev. A, Subtype 2 Physical layer configuration, with Rev. 0 as the primary mode. Otherwise, SAR is measured for Rev. A using the highest reported SAR configuration for body-worn exposure in Rev. 0. SAR is required for Rev. B, Subtype 3; it is measured by applying both the "test 2" and "test 3" configurations used for power measurement.

<Considerations Related to LTE for Setup and Testing>

This device contains LTE transmitter which follows 3GPP standards, is category 3, supports both QPSK and 16QAM modulations, and supported LTE band and channel bandwidth is listed in below. The output power was tested per 3GPP TS 36.521-1 maximum transmit procedures for both QPSK and 16QAM modulation. The results please refer to section 4.6 of this report.

EUT Supported LTE Band and Channel Bandwidth						
LTE Band	BW 1.4 MHz	BW 3 MHz	BW 5 MHz	BW 10 MHz	BW 15 MHz	BW 20 MHz
2	V	V	V	V	V	V
4	V	V	V	V	V	V
5	V	V	V	V		
13			V	V		
17			V	V		
25	V	V	V	V	V	V

FCC SAR Test Report

The LTE maximum power reduction (MPR) in accordance with 3GPP TS 36.101 is active all times during LTE operation. The allowed MPR for the maximum output power is specified in below.

Modulation	Channel Bandwidth / RB Configurations						LTE MPR Setting (dB)
	BW 1.4 MHz	BW 3 MHz	BW 5 MHz	BW 10 MHz	BW 15 MHz	BW 20 MHz	
QPSK	> 5	> 4	> 8	> 12	> 16	> 18	1
16QAM	<= 5	<= 4	<= 8	<= 12	<= 16	<= 18	1
16QAM	> 5	> 4	> 8	> 12	> 16	> 18	2

Note: MPR is according to the standard and implemented in the circuit (mandatory).

In addition, the device is compliant with additional maximum power reduction (A-MPR) requirements defined in 3GPP TS 36.101 section 6.2.4 that was disabled for all FCC compliance testing.

During LTE SAR testing, the related parameters of operating band, channel bandwidth, uplink channel number, modulation type, and RB was set in base station simulator. When the EUT has registered and communicated to base station simulator, the simulator set to make EUT transmitting the maximum radiated power.

<Considerations Related to WLAN for Setup and Testing>

In general, various vendor specific external test software and chipset based internal test modes are typically used for SAR measurement. These chipset based test mode utilities are generally hardware and manufacturer dependent, and often include substantial flexibility to reconfigure or reprogram a device. A Wi-Fi device must be configured to transmit continuously at the required data rate, channel bandwidth and signal modulation, using the highest transmission duty factor supported by the test mode tools for SAR measurement. The test frequencies established using test mode must correspond to the actual channel frequencies. When 802.11 frame gaps are accounted for in the transmission, a maximum transmission duty factor of 92 - 96% is typically achievable in most test mode configurations. A minimum transmission duty factor of 85% is required to avoid certain hardware and device implementation issues related to wide range SAR scaling. In addition, a periodic transmission duty factor is required for current generation SAR systems to measure SAR correctly. The reported SAR must be scaled to 100% transmission duty factor to determine compliance at the maximum tune-up tolerance limit.

According to KDB 248227 D01, this device has installed WLAN engineering testing software which can provide continuous transmitting RF signal. During WLAN SAR testing, this device was operated to transmit continuously at the maximum transmission duty with specified transmission mode, operating frequency, lowest data rate, and maximum output power.

Initial Test Configuration

An initial test configuration is determined for OFDM transmission modes in 2.4 GHz and 5 GHz bands according to the channel bandwidth, modulation and data rate combination(s) with the highest maximum output power specified for production units in each standalone and aggregated frequency band. When the same maximum power is specified for multiple transmission modes in a frequency band, the largest channel bandwidth, lowest order modulation, lowest data rate and lowest order 802.11a/g/n/ac mode is used for SAR measurement, on the highest measured output power channel in the initial test configuration, for each frequency band.

FCC SAR Test Report

Subsequent Test Configuration

SAR measurement requirements for the remaining 802.11 transmission mode configurations that have not been tested in the initial test configuration are determined separately for each standalone and aggregated frequency band, in each exposure condition, according to the maximum output power specified for production units. Additional power measurements may be required to determine if SAR measurements are required for subsequent highest output power channels in a subsequent test configuration. When the highest reported SAR for the initial test configuration according to the initial test position or fixed exposure position requirements, is adjusted by the ratio of the subsequent test configuration to initial test configuration specified maximum output power and the adjusted SAR is ≤ 1.2 W/kg, SAR is not required for that subsequent test configuration.

SAR Test Configuration and Channel Selection

When multiple channel bandwidth configurations in a frequency band have the same specified maximum output power, the initial test configuration is using largest channel bandwidth, lowest order modulation, lowest data rate, and lowest order 802.11 mode (i.e., 802.11a is chosen over 802.11n then 802.11ac or 802.11g is chosen over 802.11n). After an initial test configuration is determined, if multiple test channels have the same measured maximum output power, the channel chosen for SAR measurement is determined according to the following.

- 1) The channel closest to mid-band frequency is selected for SAR measurement.
- 2) For channels with equal separation from mid-band frequency; for example, high and low channels or two mid-band channels, the higher frequency (number) channel is selected for SAR measurement.

<Considerations Related to Bluetooth for Setup and Testing>

This device has installed Bluetooth engineering testing software which can provide continuous transmitting RF signal. During Bluetooth SAR testing, this device was operated to transmit continuously at the maximum transmission duty with specified transmission mode, operating frequency, lowest data rate, and maximum output power.

4.2 EUT Testing Position

4.2.1 Body Exposure Conditions

For full-size tablet, according to KDB 616217 D04, SAR evaluation is required for back surface and edges of the devices. The back surface and edges of the tablet are tested with the tablet touching the phantom. Exposures from antennas through the front surface of the display section of a tablet are generally limited to the user's hands. Exposures to hands for typical consumer transmitters used in tablets are not expected to exceed the extremity SAR limit; therefore, SAR evaluation for the front surface of tablet display screens are generally not necessary. When voice mode is supported on a tablet and it is limited to speaker mode or headset operations only, additional SAR testing for this type of voice use is not required.

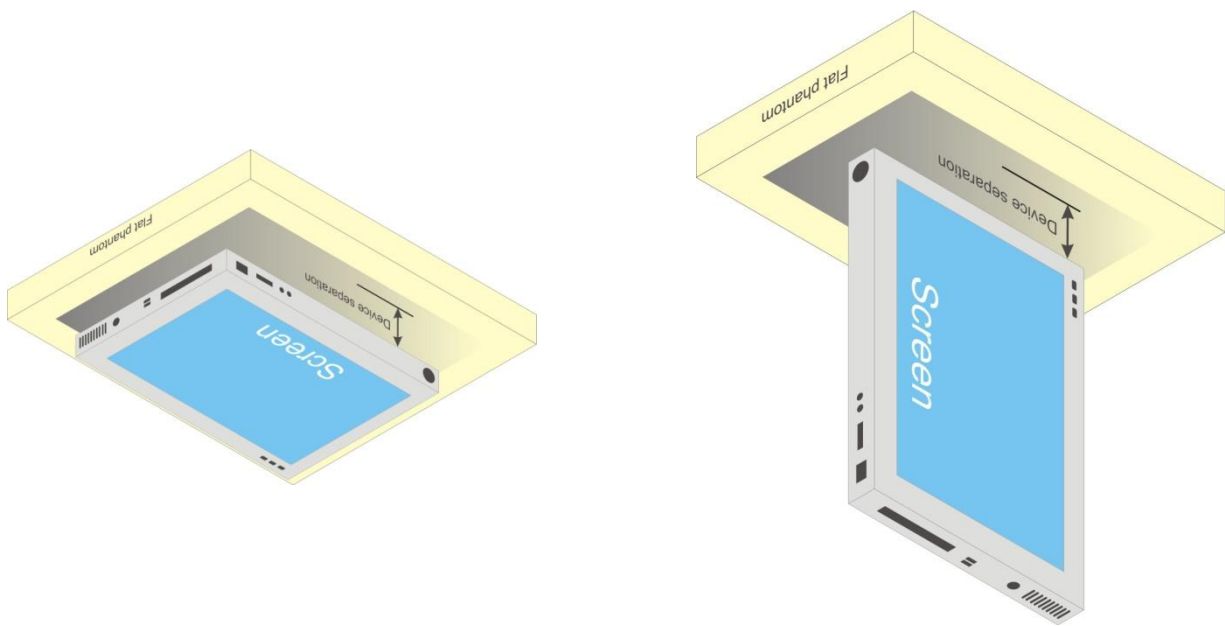


Fig-4.1 Illustration for Tablet Setup

FCC SAR Test Report

4.2.1 SAR Test Exclusion Evaluations

According to KDB 447498 D01, the SAR test exclusion condition is based on source-based time-averaged maximum conducted output power, adjusted for tune-up tolerance, and the minimum test separation distance required for the exposure conditions. The SAR exclusion threshold is determined by the following formula.

1. For the test separation distance ≤ 50 mm

$$\frac{\text{Max. Tune up Power}_{(mW)}}{\text{Min. Test Separation Distance}_{(mm)}} \times \sqrt{f_{(GHz)}} \leq 3.0 \text{ for SAR-1g, } \leq 7.5 \text{ for SAR-10g}$$

When the minimum test separation distance is < 5 mm, a distance of 5 mm is applied to determine SAR test exclusion.

2. For the test separation distance > 50 mm, and the frequency at 100 MHz to 1500 MHz

$$\left[(\text{Threshold at 50 mm in Step 1}) + (\text{Test Separation Distance} - 50 \text{ mm}) \times \left(\frac{f_{(MHz)}}{150} \right) \right]_{(mW)}$$

3. For the test separation distance > 50 mm, and the frequency at > 1500 MHz to 6 GHz

$$[(\text{Threshold at 50 mm in Step 1}) + (\text{Test Separation Distance} - 50 \text{ mm}) \times 10]_{(mW)}$$

<For WWAN Ant-0>

Mode	Max. Tune-up Power (dBm)	Max. Tune-up Power (mW)	Rear Face			Top Side			Bottom Side			Left Side			Right Side		
			Ant. to Surface (mm)	Calculated Result	Require SAR Testing?	Ant. to Surface (mm)	Calculated Result	Require SAR Testing?	Ant. to Surface (mm)	Calculated Result	Require SAR Testing?	Ant. to Surface (mm)	Calculated Result	Require SAR Testing?	Ant. to Surface (mm)	Calculated Result	Require SAR Testing?
GSM 850	26.0	398	5	73.3	Yes	5	73.3	Yes	137	655 mW	No	140	672 mW	No	20	18.3	Yes
GSM 1900	23.0	200	5	55.3	Yes	5	55.3	Yes	137	979 mW	No	140	1009 mW	No	20	13.8	Yes
WCDMA II	23.5	224	5	61.9	Yes	5	61.9	Yes	137	979 mW	No	140	1009 mW	No	20	15.5	Yes
WCDMA IV	23.0	200	5	53.0	Yes	5	53	Yes	137	983 mW	No	140	1013 mW	No	20	13.2	Yes
WCDMA V	23.0	200	5	36.8	Yes	5	36.8	Yes	137	654 mW	No	140	671 mW	No	20	9.2	Yes
CDMA BC0	24.0	251	5	46.2	Yes	5	46.2	Yes	137	655 mW	No	140	672 mW	No	20	11.6	Yes
CDMA BC1	24.0	251	5	69.4	Yes	5	69.4	Yes	137	979 mW	No	140	1009 mW	No	20	17.3	Yes
CDMA BC10	24.0	251	5	45.5	Yes	5	45.5	Yes	137	643 mW	No	140	659 mW	No	20	11.4	Yes
LTE 2	22.7	186	5	51.4	Yes	5	51.4	Yes	137	979 mW	No	140	1009 mW	No	20	12.8	Yes
LTE 4	22.8	191	5	50.6	Yes	5	50.6	Yes	137	983 mW	No	140	1013 mW	No	20	12.6	Yes
LTE 5	22.3	170	5	31.3	Yes	5	31.3	Yes	137	654 mW	No	140	671 mW	No	20	7.8	Yes
LTE 13	22.5	178	5	31.5	Yes	5	31.5	Yes	137	625 mW	No	140	640 mW	No	20	7.9	Yes
LTE 17	22.7	186	5	31.4	Yes	5	31.4	Yes	137	592 mW	No	140	606 mW	No	20	7.9	Yes
LTE 25	22.6	182	5	50.3	Yes	5	50.3	Yes	137	978 mW	No	140	1008 mW	No	20	12.6	Yes

Note:

Since GSM has multi-slot operation, the maximum tune-up power shown in above table for GSM is source-based time-averaged maximum power.

FCC SAR Test Report

<For WLAN Ant-0>

Mode	Max. Tune-up Power (dBm)	Max. Tune-up Power (mW)	Rear Face			Left Side			Right Side			Top Side			Bottom Side		
			Ant. to Surface (mm)	Calculated Result	Require SAR Testing?	Ant. to Surface (mm)	Calculated Result	Require SAR Testing?	Ant. to Surface (mm)	Calculated Result	Require SAR Testing?	Ant. to Surface (mm)	Calculated Result	Require SAR Testing?	Ant. to Surface (mm)	Calculated Result	Require SAR Testing?
WLAN 2.4G	16.0	39.81	5	12.49	Yes	5	12.49	Yes	215	1746 mW	No	20	3.12	Yes	95	546 mW	No
WLAN 5.2G	14.5	28.18	5	12.90	Yes	5	12.90	Yes	215	1716 mW	No	20	3.23	Yes	95	516 mW	No
WLAN 5.3G	14.5	28.18	5	13.00	Yes	5	13.00	Yes	215	1715 mW	No	20	3.25	Yes	95	515 mW	No
WLAN 5.6G	13.5	22.39	5	10.69	Yes	5	10.69	Yes	215	1713 mW	No	20	2.67	No	95	513 mW	No
WLAN 5.8G	12.5	17.78	5	8.58	Yes	5	8.58	Yes	215	1712 mW	No	20	2.15	No	95	512 mW	No

<For BT/WLAN Ant-1>

Mode	Max. Tune-up Power (dBm)	Max. Tune-up Power (mW)	Rear Face			Left Side			Right Side			Top Side			Bottom Side		
			Ant. to Surface (mm)	Calculated Result	Require SAR Testing?	Ant. to Surface (mm)	Calculated Result	Require SAR Testing?	Ant. to Surface (mm)	Calculated Result	Require SAR Testing?	Ant. to Surface (mm)	Calculated Result	Require SAR Testing?	Ant. to Surface (mm)	Calculated Result	Require SAR Testing?
WLAN 2.4G	16.5	44.67	5	14.02	Yes	18	3.89	Yes	170	1296 mW	No	140	996 mW	No	5	14.02	Yes
WLAN 5.2G	16.0	44.67	5	18.23	Yes	18	5.06	Yes	170	1266 mW	No	140	966 mW	No	5	18.23	Yes
WLAN 5.3G	16.0	35.48	5	18.36	Yes	18	5.10	Yes	170	1265 mW	No	140	965 mW	No	5	18.36	Yes
WLAN 5.6G	15.5	35.48	5	16.94	Yes	18	4.71	Yes	170	1263 mW	No	140	963 mW	No	5	16.94	Yes
WLAN 5.8G	15.5	35.48	5	17.13	Yes	18	4.76	Yes	170	1262 mW	No	140	962 mW	No	5	17.13	Yes
BT	7.5	5.62	5	1.77	No	18	0.49	No	170	1295 mW	No	140	995 mW	No	5	1.77	No

<For WLAN Ant-0 + Ant-1>

Mode	Max. Tune-up Power (dBm)	Max. Tune-up Power (mW)	Rear Face			Left Side			Right Side			Top Side			Bottom Side		
			Ant. to Surface (mm)	Calculated Result	Require SAR Testing?	Ant. to Surface (mm)	Calculated Result	Require SAR Testing?	Ant. to Surface (mm)	Calculated Result	Require SAR Testing?	Ant. to Surface (mm)	Calculated Result	Require SAR Testing?	Ant. to Surface (mm)	Calculated Result	Require SAR Testing?
WLAN 2.4G	17.0	50.12	5	15.73	Yes	5	15.73	Yes	170	1296 mW	No	20	3.93	Yes	5	15.73	Yes
WLAN 5.2G	15.5	35.48	5	16.24	Yes	5	16.24	Yes	170	1266 mW	No	20	4.06	Yes	5	16.24	Yes
WLAN 5.3G	15.5	35.48	5	16.37	Yes	5	16.37	Yes	170	1265 mW	No	20	4.09	Yes	5	16.37	Yes
WLAN 5.6G	15.5	35.48	5	16.94	Yes	5	16.94	Yes	170	1263 mW	No	20	4.24	Yes	5	16.94	Yes
WLAN 5.8G	15.5	35.48	5	17.13	Yes	5	17.13	Yes	170	1262 mW	No	20	4.28	Yes	5	17.13	Yes

Note:

1. When separation distance ≤ 50 mm and the calculated result shown in above table is ≤ 3.0 for SAR-1g exposure condition, or ≤ 7.5 for SAR-10g exposure condition, the SAR testing exclusion is applied.
2. When separation distance > 50 mm and the device output power is less than the calculated result (power threshold, mW) shown in above table, the SAR testing exclusion is applied.

4.2.2 Simultaneous Transmission Possibilities

The simultaneous transmission possibilities for this device are listed as below.

Simultaneous TX Combination	Capable Transmit Configurations	Hotspot (Data)
1	GSM850 (Voice / Data) + WLAN (Data) + BT (Data) + RFID (Data)	Yes
2	GSM1900 (Voice / Data) + WLAN (Data) + BT (Data) + RFID (Data)	Yes
3	WCDMA II (Voice / Data) + WLAN (Data) + BT (Data) + RFID (Data)	Yes
4	WCDMA IV (Voice / Data) + WLAN (Data) + BT (Data) + RFID (Data)	Yes
5	WCDMA V (Voice / Data) + WLAN (Data) + BT (Data) + RFID (Data)	Yes
6	CDMA BC0 (Voice / Data) + WLAN (Data) + BT (Data) + RFID (Data)	Yes
7	CDMA BC1 (Voice / Data) + WLAN (Data) + BT (Data) + RFID (Data)	Yes
8	CDMA BC10 (Voice / Data) + WLAN (Data) + BT (Data) + RFID (Data)	Yes
9	LTE 2 (Data) + WLAN (Data) + BT (Data) + RFID (Data)	Yes
10	LTE 4 (Data) + WLAN (Data) + BT (Data) + RFID (Data)	Yes
11	LTE 5 (Data) + WLAN (Data) + BT (Data) + RFID (Data)	Yes
12	LTE 13 (Data) + WLAN (Data) + BT (Data) + RFID (Data)	Yes
13	LTE 17 (Data) + WLAN (Data) + BT (Data) + RFID (Data)	Yes
14	LTE 25 (Data) + WLAN (Data) + BT (Data) + RFID (Data)	Yes

4.3 Tissue Verification

The measuring results for tissue simulating liquid are shown as below.

Test Date	Tissue Type	Frequency (MHz)	Liquid Temp. (°C)	Measured Conductivity (σ)	Measured Permittivity (ε _r)	Target Conductivity (σ)	Target Permittivity (ε _r)	Conductivity Deviation (%)	Permittivity Deviation (%)
Aug. 30, 2016	Body	750	23.7	0.966	56.071	0.96	55.5	0.63	1.03
Sep. 06, 2016	Body	750	23.6	0.992	55.097	0.96	55.5	3.33	-0.73
Sep. 06, 2016	Body	835	23.6	1.000	55.299	0.97	55.2	3.09	0.18
Aug. 15, 2016	Body	900	23.4	1.056	54.127	1.05	55.0	0.57	-1.59
Sep. 05, 2016	Body	1750	23.5	1.437	52.045	1.49	53.4	-3.56	-2.54
Aug. 26, 2016	Body	1900	23.3	1.554	51.475	1.52	53.3	2.24	-3.42
Sep. 02, 2016	Body	1900	23.3	1.585	51.611	1.52	53.3	4.28	-3.17
Sep. 05, 2016	Body	1900	23.5	1.587	51.622	1.52	53.3	4.41	-3.15
Sep. 06, 2016	Body	1900	23.5	1.568	53.039	1.52	53.3	3.16	-0.49
Aug. 17, 2016	Body	2450	23.2	2.026	51.708	1.95	52.7	3.90	-1.88
Aug. 17, 2016	Body	5300	23.5	5.541	46.822	5.42	48.9	2.23	-4.25
Sep. 06, 2016	Body	5300	23.5	5.484	47.547	5.42	48.9	1.18	-2.77
Aug. 17, 2016	Body	5600	23.5	5.935	46.347	5.77	48.5	2.86	-4.44
Sep. 06, 2016	Body	5600	23.5	5.922	47.005	5.77	48.5	2.63	-3.08
Aug. 17, 2016	Body	5800	23.5	6.216	45.997	6.00	48.2	3.60	-4.57
Sep. 06, 2016	Body	5800	23.5	6.211	46.610	6.00	48.2	3.52	-3.30

Note:

The dielectric properties of the tissue simulating liquid must be measured within 24 hours before the SAR testing and within ±5% of the target values. Liquid temperature during the SAR testing must be within ±2 °C.

FCC SAR Test Report

4.4 System Validation

The SAR measurement system was validated according to procedures in KDB 865664 D01. The validation status in tabulated summary is as below.

Test Date	Probe S/N	Calibration Point		Measured Conductivity (σ)	Measured Permittivity (ϵ_r)	Validation for CW			Validation for Modulation		
						Sensitivity Range	Probe Linearity	Probe Isotropy	Modulation Type	Duty Factor	PAR
Aug. 30, 2016	1790	Body	750	0.966	56.071	Pass	Pass	Pass	N/A	N/A	N/A
Sep. 06, 2016	1790	Body	750	0.992	55.097	Pass	Pass	Pass	N/A	N/A	N/A
Sep. 06, 2016	1790	Body	835	1.000	55.299	Pass	Pass	Pass	GMSK	Pass	N/A
Aug. 15, 2016	7350	Body	900	1.056	54.127	Pass	Pass	Pass	N/A	N/A	N/A
Sep. 05, 2016	3971	Body	1750	1.437	52.045	Pass	Pass	Pass	N/A	N/A	N/A
Aug. 26, 2016	7350	Body	1900	1.554	51.475	Pass	Pass	Pass	N/A	N/A	N/A
Sep. 02, 2016	7350	Body	1900	1.585	51.611	Pass	Pass	Pass	GMSK	Pass	N/A
Sep. 05, 2016	3971	Body	1900	1.587	51.622	Pass	Pass	Pass	N/A	N/A	N/A
Sep. 06, 2016	1790	Body	1900	1.568	53.039	Pass	Pass	Pass	N/A	N/A	N/A
Aug. 17, 2016	7350	Body	2450	2.026	51.708	Pass	Pass	Pass	OFDM	N/A	Pass
Aug. 17, 2016	7350	Body	5300	5.541	46.822	Pass	Pass	Pass	OFDM	N/A	Pass
Sep. 06, 2016	3971	Body	5300	5.484	47.547	Pass	Pass	Pass	OFDM	N/A	Pass
Aug. 17, 2016	7350	Body	5600	5.935	46.347	Pass	Pass	Pass	OFDM	N/A	Pass
Sep. 06, 2016	3971	Body	5600	5.922	47.005	Pass	Pass	Pass	OFDM	N/A	Pass
Aug. 17, 2016	7350	Body	5800	6.216	45.997	Pass	Pass	Pass	OFDM	N/A	Pass
Sep. 06, 2016	3971	Body	5800	6.211	46.610	Pass	Pass	Pass	OFDM	N/A	Pass

4.5 System Verification

The measuring result for system verification is tabulated as below.

Test Date	Mode	Frequency (MHz)	1W Target SAR-1g (W/kg)	Measured SAR-1g (W/kg)	Normalized to 1W SAR-1g (W/kg)	Deviation (%)	Dipole S/N	Probe S/N	DAE S/N
Aug. 30, 2016	Body	750	8.89	2.12	8.48	-4.61	1132	1790	1277
Sep. 06, 2016	Body	750	8.89	2.24	8.96	0.79	1132	1790	1277
Sep. 06, 2016	Body	835	9.52	2.52	10.08	5.88	4d120	1790	1277
Aug. 15, 2016	Body	900	10.80	2.63	10.52	-2.59	043	7350	1305
Sep. 05, 2016	Body	1750	36.40	9.48	37.92	4.18	1023	3971	393
Aug. 26, 2016	Body	1900	40.70	9.51	38.04	-6.54	5d036	7350	1305
Sep. 02, 2016	Body	1900	40.70	9.92	39.68	-2.51	5d036	7350	1305
Sep. 05, 2016	Body	1900	40.70	10.10	40.40	-0.74	5d036	3971	393
Sep. 06, 2016	Body	1900	40.70	10.30	41.20	1.23	5d036	1790	1277
Aug. 17, 2016	Body	2450	51.40	12.30	49.20	-4.28	869	7350	1305
Aug. 17, 2016	Body	5300	76.40	8.08	80.80	5.76	1040	7350	1305
Sep. 06, 2016	Body	5300	76.40	8.22	82.20	7.59	1040	3971	393
Aug. 17, 2016	Body	5600	78.40	7.79	77.90	-0.64	1040	7350	1305
Sep. 06, 2016	Body	5600	78.40	7.74	77.40	-1.28	1040	3971	393
Aug. 17, 2016	Body	5800	75.20	7.53	75.30	0.13	1040	7350	1305
Sep. 06, 2016	Body	5800	75.20	7.63	76.30	1.46	1040	3971	393

Note:

Comparing to the reference SAR value provided by SPEAG, the validation data should be within its specification of 10 %. The result indicates the system check can meet the variation criterion and the plots can be referred to Appendix A of this report.

FCC SAR Test Report

4.6 Maximum Output Power

4.6.1 Maximum Conducted Power

The maximum conducted average power (Unit: dBm) including tune-up tolerance is shown as below.

Mode	Maximum Burst-Averaged Output Power		Maximum Frame-Averaged Output Power	
	GSM850	GSM1900	GSM850	GSM1900
GPRS (GMSK, 1Tx-slot)	32.00	29.50	23.00	20.50
GPRS (GMSK, 2Tx-slot)	32.00	29.00	26.00	23.00
EDGE (8PSK, 1Tx-slot)	27.00	25.00	18.00	16.00
EDGE (8PSK, 2Tx-slot)	27.00	25.00	21.00	19.00
EDGE (8PSK, 3Tx-slot)	27.00	25.00	22.74	20.74
EDGE (8PSK, 4Tx-slot)	26.50	25.00	23.50	22.00

Note:

1. SAR testing was performed on the maximum frame-averaged power mode.
2. The frame-averaged power is linearly proportion to the slot number configured and it is linearly scaled the maximum burst-averaged power based on time slots. The calculated method is shown as below:

$$\text{Frame-averaged power} = 10 \times \log (\text{Burst-averaged power mW} \times \text{Slot used} / 8)$$

Mode	WCDMA Band II	WCDMA Band IV	WCDMA Band V
RMC 12.2K	23.5	23.0	23.0
HSDPA	23.0	22.5	22.5
HSUPA	23.0	22.5	22.5

Mode	CDMA BC0	CDMA BC1	CDMA BC10
1xRTT	24.0	24.0	24.0
1xEVDO Rev.0	24.0	24.0	24.0
1xEVDO Rev.A	24.0	24.0	24.0

Mode	LTE 2	LTE 4	LTE 5
QPSK / 16QAM	22.7	22.8	22.3

Mode	LTE 13	LTE 17	LTE 25
QPSK / 16QAM	22.5	22.7	22.6

FCC SAR Test Report

<WLAN Ant. 0>

Mode	2.4G WLAN	5.2G WLAN	5.3G WLAN	5.6G WLAN	5.8G WLAN
802.11b	15.5	N/A	N/A	N/A	N/A
802.11g	16.0	N/A	N/A	N/A	N/A
802.11a	N/A	14.5	14.5	13.5	12.5
802.11n HT20	16.0	14.0	14.5	13.0	12.5
802.11n HT40	16.0	14.0	14.0	13.0	12.0
802.11ac VHT80	N/A	8.5	9.5	7.5	12.0

<WLAN Ant. 1>

Mode	2.4G WLAN	5.2G WLAN	5.3G WLAN	5.6G WLAN	5.8G WLAN
802.11b	15.5	N/A	N/A	N/A	N/A
802.11g	16.5	N/A	N/A	N/A	N/A
802.11a	N/A	16.0	16.0	15.5	15.5
802.11n HT20	16.5	15.5	15.5	15.5	15.0
802.11n HT40	16.5	15.5	15.5	15.0	15.0
802.11ac VHT80	N/A	8.5	9.5	7.0	14.0

<WLAN Ant. 0+1>

Mode	2.4G WLAN	5.2G WLAN	5.3G WLAN	5.6G WLAN	5.8G WLAN
802.11b	N/A	N/A	N/A	N/A	N/A
802.11g	N/A	N/A	N/A	N/A	N/A
802.11a	N/A	N/A	N/A	N/A	N/A
802.11n HT20	17.0	15.5	15.5	15.5	13.5
802.11n HT40	17.0	15.5	15.5	15.5	15.5
802.11ac VHT80	N/A	8.5	9.0	7.5	12.5

Mode	2.4G Bluetooth
Bluetooth DH	7.5

Mode	UHF RFID
-	18.0

FCC SAR Test Report

4.6.2 Measured Conducted Power Result

The measuring conducted average power (Unit: dBm) is shown as below.

Band	GSM850			GSM1900		
Channel	128	189	251	512	661	810
Frequency (MHz)	824.2	836.4	848.8	1850.2	1880.0	1909.8
Maximum Burst-Averaged Output Power						
GPRS 8 (GMSK, 1 Uplink)	31.97	31.82	31.77	28.84	29.04	28.97
GPRS 10 (GMSK, 2 Uplink)	31.91	31.77	31.90	28.72	28.98	28.85
EDGE 8 (8PSK, 1 Uplink)	26.80	26.68	26.80	24.75	24.95	24.88
EDGE 10 (8PSK, 2 Uplink)	26.69	26.57	26.69	24.63	24.83	24.76
EDGE 11 (8PSK, 3 Uplink)	26.54	26.42	26.54	24.52	24.72	24.65
EDGE 12 (8PSK, 4 Uplink)	26.36	26.24	26.36	24.46	24.66	24.59
Maximum Frame-Averaged Output Power						
GPRS 8 (GMSK, 1 Uplink)	22.97	22.82	22.77	19.84	20.04	19.97
GPRS 10 (GMSK, 2 Uplink)	25.91	25.77	25.90	22.72	22.98	22.85
EDGE 8 (8PSK, 1 Uplink)	17.80	17.68	17.80	15.75	15.95	15.88
EDGE 10 (8PSK, 2 Uplink)	20.69	20.57	20.69	18.63	18.83	18.76
EDGE 11 (8PSK, 3 Uplink)	22.28	22.16	22.28	20.26	20.46	20.39
EDGE 12 (8PSK, 4 Uplink)	23.36	23.24	23.36	21.46	21.66	21.59

Band	WCDMA Band II			WCDMA Band IV			WCDMA Band V			3GPP MPR (dB)
Channel	9262	9400	9538	1312	1413	1513	4132	4182	4233	
Frequency (MHz)	1852.4	1880.0	1907.6	1712.4	1732.6	1752.6	826.4	836.4	846.6	
RMC 12.2K	23.06	22.84	22.83	22.57	22.83	22.79	22.75	22.81	22.66	-
HSDPA Subtest-1	22.57	22.35	22.34	22.12	22.38	22.34	22.31	22.37	22.22	0
HSDPA Subtest-2	22.55	22.33	22.32	22.01	22.27	22.23	22.29	22.35	22.20	0
HSDPA Subtest-3	22.07	21.85	21.84	21.58	21.84	21.80	21.81	21.87	21.72	0.5
HSDPA Subtest-4	22.05	21.83	21.82	21.56	21.82	21.78	21.80	21.86	21.71	0.5
HSUPA Subtest-1	22.70	22.48	22.47	21.63	21.89	21.85	21.89	21.95	21.80	0
HSUPA Subtest-2	21.02	20.80	20.79	20.60	20.86	20.82	20.75	20.81	20.66	2
HSUPA Subtest-3	21.14	20.92	20.91	20.94	21.20	21.16	21.26	21.32	21.17	1
HSUPA Subtest-4	21.17	20.95	20.94	20.37	20.63	20.59	20.31	20.37	20.22	2
HSUPA Subtest-5	22.67	22.45	22.44	22.10	22.36	22.32	22.26	22.32	22.17	0

FCC SAR Test Report

Band	CDMA BC0			CDMA BC1			CDMA BC10		
	1013	384	777	25	600	1175	476	580	684
Channel	824.70	836.52	848.31	1851.25	1880.00	1908.75	817.9	820.5	823.1
Frequency (MHz)	824.70	836.52	848.31	1851.25	1880.00	1908.75	817.9	820.5	823.1
1xRTT RC1+SO55	23.62	23.56	23.28	23.96	23.88	23.77	23.55	23.40	23.47
1xRTT RC3+SO55	23.66	23.60	23.32	23.95	23.87	23.76	23.61	23.46	23.53
1xRTT RC3+SO32 (FCH)	23.55	23.53	23.21	23.94	23.86	23.75	23.59	23.44	23.51
1xRTT RC3+SO32 (SCH)	23.58	23.52	23.24	23.99	23.93	23.82	23.60	23.45	23.52
1xEVDO Rev.0 RTAP 153.6	23.57	23.51	23.23	23.97	23.89	23.78	23.58	23.43	23.50
1xEVDO Rev.A RETAP 4096	23.59	23.53	23.25	23.90	23.82	23.71	23.56	23.41	23.48

LTE Band / BW	RB Size	RB Offset	QPSK			3GPP MPR (dB)	16QAM			3GPP MPR (dB)
			Low CH 18607	Mid CH 18900	High CH 19193		Low CH 18607	Mid CH 18900	High CH 19193	
			1850.7 MHz	1880.0 MHz	1909.3 MHz		1850.7 MHz	1880.0 MHz	1909.3 MHz	
2 / 1.4M	1	0	22.10	22.05	21.84	0	21.10	21.05	20.84	1
	1	2	22.16	22.07	21.96	0	21.16	21.07	20.96	1
	1	5	22.06	21.86	21.72	0	21.06	20.86	20.72	1
	3	0	21.90	21.79	21.72	0	20.90	20.79	20.72	1
	3	1	21.90	21.84	21.79	0	20.90	20.84	20.79	1
	3	3	21.89	21.75	21.74	0	20.89	20.75	20.74	1
6	0	20.93	20.84	20.77	1	19.93	19.84	19.77	2	

LTE Band / BW	RB Size	RB Offset	QPSK			3GPP MPR (dB)	16QAM			3GPP MPR (dB)
			Low CH 18615	Mid CH 18900	High CH 19185		Low CH 18615	Mid CH 18900	High CH 19185	
			1851.5 MHz	1880.0 MHz	1908.5 MHz		1851.5 MHz	1880.0 MHz	1908.5 MHz	
2 / 3M	1	0	22.19	22.14	21.93	0	21.19	21.14	20.93	1
	1	7	22.25	22.16	22.05	0	21.25	21.16	21.05	1
	1	14	22.15	21.95	21.81	0	21.15	20.95	20.81	1
	8	0	20.99	20.88	20.81	1	19.99	19.88	19.81	2
	8	3	20.99	20.93	20.78	1	19.99	19.93	19.78	2
	8	7	20.98	20.84	20.83	1	19.98	19.84	19.83	2
	15	0	21.02	20.93	20.86	1	20.02	19.93	19.86	2

FCC SAR Test Report

LTE Band / BW	RB Size	RB Offset	QPSK			3GPP MPR (dB)	16QAM			3GPP MPR (dB)
			Low CH 18625	Mid CH 18900	High CH 19175		Low CH 18625	Mid CH 18900	High CH 19175	
			1852.5 MHz	1880.0 MHz	1907.5 MHz		1852.5 MHz	1880.0 MHz	1907.5 MHz	
2 / 5M	1	0	22.29	22.24	22.03	0	21.29	21.24	21.03	1
	1	12	22.35	22.26	22.15	0	21.35	21.26	21.15	1
	1	24	22.25	22.05	21.91	0	21.25	21.05	20.91	1
	12	0	21.09	20.98	20.91	1	20.09	19.98	19.91	2
	12	6	21.09	21.03	20.88	1	20.09	20.03	19.88	2
	12	13	21.08	20.94	20.93	1	20.08	19.94	19.93	2
	25	0	21.12	21.03	20.96	1	20.12	20.03	19.96	2

LTE Band / BW	RB Size	RB Offset	QPSK			3GPP MPR (dB)	16QAM			3GPP MPR (dB)
			Low CH 18650	Mid CH 18900	High CH 19150		Low CH 18650	Mid CH 18900	High CH 19150	
			1855.0 MHz	1880.0 MHz	1905.0 MHz		1855.0 MHz	1880.0 MHz	1905.0 MHz	
2 / 10M	1	0	22.40	22.35	22.14	0	21.40	21.35	21.14	1
	1	24	22.46	22.37	22.26	0	21.46	21.37	21.26	1
	1	49	22.36	22.16	22.02	0	21.36	21.16	21.02	1
	25	0	21.20	21.09	21.02	1	20.20	20.09	20.02	2
	25	12	21.20	21.14	20.99	1	20.20	20.14	19.99	2
	25	25	21.19	21.05	21.04	1	20.19	20.05	20.04	2
	50	0	21.23	21.14	21.07	1	20.23	20.14	20.07	2

LTE Band / BW	RB Size	RB Offset	QPSK			3GPP MPR (dB)	16QAM			3GPP MPR (dB)
			Low CH 18675	Mid CH 18900	High CH 19125		Low CH 18675	Mid CH 18900	High CH 19125	
			1857.5 MHz	1880.0 MHz	1902.5 MHz		1857.5 MHz	1880.0 MHz	1902.5 MHz	
2 / 15M	1	0	22.51	22.46	22.25	0	21.51	21.46	21.25	1
	1	37	22.57	22.48	22.37	0	21.57	21.48	21.37	1
	1	74	22.47	22.27	22.13	0	21.47	21.27	21.13	1
	36	0	21.31	21.20	21.13	1	20.31	20.20	20.13	2
	36	19	21.31	21.25	21.10	1	20.31	20.25	20.10	2
	36	39	21.30	21.16	21.15	1	20.30	20.16	20.15	2
	75	0	21.34	21.25	21.18	1	20.34	20.25	20.18	2

LTE Band / BW	RB Size	RB Offset	QPSK			3GPP MPR (dB)	16QAM			3GPP MPR (dB)
			Low CH 18700	Mid CH 18900	High CH 19100		Low CH 18700	Mid CH 18900	High CH 19100	
			1860.0 MHz	1880.0 MHz	1900.0 MHz		1860.0 MHz	1880.0 MHz	1900.0 MHz	
2 / 20M	1	0	22.63	22.58	22.37	0	21.63	21.58	21.37	1
	1	50	22.69	22.60	22.49	0	21.69	21.60	21.49	1
	1	99	22.59	22.39	22.25	0	21.59	21.39	21.25	1
	50	0	21.43	21.32	21.25	1	20.43	20.32	20.25	2
	50	25	21.42	21.37	21.22	1	20.43	20.37	20.22	2
	50	50	21.41	21.28	21.27	1	20.42	20.28	20.27	2
	100	0	21.46	21.37	21.30	1	20.46	20.37	20.30	2

FCC SAR Test Report

LTE Band / BW	RB Size	RB Offset	QPSK			3GPP MPR (dB)	16QAM			3GPP MPR (dB)
			Low CH 19957	Mid CH 20175	High CH 20393		Low CH 19957	Mid CH 20175	High CH 20393	
			1710.7 MHz	1732.5 MHz	1754.3 MHz		1710.7 MHz	1732.5 MHz	1754.3 MHz	
4 / 1.4M	1	0	21.81	21.85	22.05	0	20.86	20.88	21.00	1
	1	2	21.87	21.96	22.04	0	20.84	20.91	20.99	1
	1	5	21.82	21.91	21.84	0	20.83	20.86	20.89	1
	3	0	21.82	21.82	21.89	0	20.86	20.82	20.84	1
	3	1	21.86	21.84	21.87	0	20.87	20.82	20.81	1
	3	3	21.86	21.82	21.81	0	20.83	20.86	20.84	1
	6	0	20.82	20.85	20.85	1	20.79	20.77	20.76	2

LTE Band / BW	RB Size	RB Offset	QPSK			3GPP MPR (dB)	16QAM			3GPP MPR (dB)
			Low CH 19965	Mid CH 20175	High CH 20385		Low CH 19965	Mid CH 20175	High CH 20385	
			1711.5 MHz	1732.5 MHz	1753.5 MHz		1711.5 MHz	1732.5 MHz	1753.5 MHz	
4 / 3M	1	0	21.82	21.93	22.13	0	20.83	20.89	21.09	1
	1	7	21.85	22.04	22.12	0	20.81	21.00	21.08	1
	1	14	21.88	21.99	21.92	0	20.84	20.95	20.88	1
	8	0	20.83	20.85	20.97	1	19.81	19.82	19.93	2
	8	3	20.82	20.81	20.85	1	19.81	19.83	19.81	2
	8	7	20.83	20.82	20.86	1	19.85	19.83	19.82	2
	15	0	20.85	20.88	20.84	1	19.84	19.83	19.81	2

LTE Band / BW	RB Size	RB Offset	QPSK			3GPP MPR (dB)	16QAM			3GPP MPR (dB)
			Low CH 19975	Mid CH 20175	High CH 20375		Low CH 19975	Mid CH 20175	High CH 20375	
			1712.5 MHz	1732.5 MHz	1752.5 MHz		1712.5 MHz	1732.5 MHz	1752.5 MHz	
4 / 5M	1	0	21.92	22.07	22.27	0	20.85	20.90	21.10	1
	1	12	21.99	22.18	22.26	0	20.82	21.01	21.09	1
	1	24	22.02	22.13	22.06	0	20.85	20.96	20.89	1
	12	0	20.82	20.87	21.11	1	19.81	19.82	19.94	2
	12	6	20.86	20.95	20.99	1	19.82	19.83	19.82	2
	12	13	20.87	20.87	20.90	1	19.85	19.87	19.86	2
	25	0	20.82	21.02	20.98	1	19.84	19.85	19.81	2

LTE Band / BW	RB Size	RB Offset	QPSK			3GPP MPR (dB)	16QAM			3GPP MPR (dB)
			Low CH 20000	Mid CH 20175	High CH 20350		Low CH 20000	Mid CH 20175	High CH 20350	
			1715.0 MHz	1732.5 MHz	1750.0 MHz		1715.0 MHz	1732.5 MHz	1750.0 MHz	
4 / 10M	1	0	22.05	22.20	22.40	0	20.89	21.04	21.24	1
	1	24	22.12	22.31	22.39	0	20.96	21.15	21.23	1
	1	49	22.15	22.26	22.19	0	20.99	21.10	21.03	1
	25	0	20.85	21.00	21.24	1	19.82	19.84	20.08	2
	25	12	20.89	21.08	21.12	1	19.83	19.92	19.96	2
	25	25	20.90	21.00	21.03	1	19.84	19.84	19.87	2
	50	0	20.95	21.15	21.11	1	19.89	19.99	19.95	2

FCC SAR Test Report

LTE Band / BW	RB Size	RB Offset	QPSK			3GPP MPR (dB)	16QAM			3GPP MPR (dB)
			Low CH 20025	Mid CH 20175	High CH 20325		Low CH 20025	Mid CH 20175	High CH 20325	
			1717.5 MHz	1732.5 MHz	1747.5 MHz		1717.5 MHz	1732.5 MHz	1747.5 MHz	
4 / 15M	1	0	22.23	22.38	22.58	0	21.10	21.25	21.45	1
	1	37	22.30	22.49	22.57	0	21.17	21.36	21.44	1
	1	74	22.33	22.44	22.37	0	21.20	21.31	21.24	1
	36	0	21.03	21.18	21.42	1	19.90	20.05	20.29	2
	36	19	21.07	21.26	21.30	1	19.94	20.13	20.17	2
	36	39	21.08	21.18	21.21	1	19.95	20.05	20.08	2
	75	0	21.13	21.33	21.29	1	20.00	20.20	20.16	2

LTE Band / BW	RB Size	RB Offset	QPSK			3GPP MPR (dB)	16QAM			3GPP MPR (dB)
			Low CH 20050	Mid CH 20175	High CH 20300		Low CH 20050	Mid CH 20175	High CH 20300	
			1720.0 MHz	1732.5 MHz	1745.0 MHz		1720.0 MHz	1732.5 MHz	1745.0 MHz	
4 / 20M	1	0	22.38	22.53	22.73	0	21.34	21.49	21.69	1
	1	50	22.45	22.64	22.72	0	21.41	21.60	21.68	1
	1	99	22.48	22.59	22.52	0	21.44	21.55	21.48	1
	50	0	21.18	21.33	21.57	1	20.14	20.29	20.53	2
	50	25	21.22	21.41	21.45	1	20.18	20.37	20.41	2
	50	50	21.23	21.33	21.36	1	20.19	20.29	20.32	2
	100	0	21.28	21.48	21.44	1	20.24	20.44	20.40	2

LTE Band / BW	RB Size	RB Offset	QPSK			3GPP MPR (dB)	16QAM			3GPP MPR (dB)
			Low CH 20407	Mid CH 20525	High CH 20643		Low CH 20407	Mid CH 20525	High CH 20643	
			824.7 MHz	836.5 MHz	848.3 MHz		824.7 MHz	836.5 MHz	848.3 MHz	
5 / 1.4M	1	0	21.63	21.75	21.71	0	20.63	20.75	20.71	1
	1	2	21.88	21.92	21.89	0	20.88	20.92	20.89	1
	1	5	21.64	21.80	21.74	0	20.64	20.80	20.74	1
	3	0	21.68	21.85	21.82	0	20.68	20.85	20.82	1
	3	1	21.83	21.92	21.84	0	20.83	20.92	20.84	1
	3	3	21.74	21.89	21.80	0	20.74	20.89	20.80	1
	6	0	20.65	20.74	20.69	1	19.65	19.74	19.69	2

LTE Band / BW	RB Size	RB Offset	QPSK			3GPP MPR (dB)	16QAM			3GPP MPR (dB)
			Low CH 20415	Mid CH 20525	High CH 20635		Low CH 20415	Mid CH 20525	High CH 20635	
			825.5 MHz	836.5 MHz	847.5 MHz		825.5 MHz	836.5 MHz	847.5 MHz	
5 / 3M	1	0	21.75	21.87	21.83	0	20.75	20.87	20.83	1
	1	7	22.00	22.04	22.01	0	21.00	21.04	21.01	1
	1	14	21.76	21.92	21.86	0	20.76	20.92	20.86	1
	8	0	20.80	20.97	20.94	1	19.80	19.97	19.94	2
	8	3	20.95	21.04	20.96	1	19.95	20.04	19.96	2
	8	7	20.86	21.01	20.92	1	19.86	20.01	19.92	2
	15	0	20.77	20.86	20.81	1	19.77	19.86	19.81	2

FCC SAR Test Report

LTE Band / BW	RB Size	RB Offset	QPSK			3GPP MPR (dB)	16QAM			3GPP MPR (dB)
			Low CH 20425	Mid CH 20525	High CH 20625		Low CH 20425	Mid CH 20525	High CH 20625	
			826.5 MHz	836.5 MHz	846.5 MHz		826.5 MHz	836.5 MHz	846.5 MHz	
5 / 5M	1	0	21.84	21.96	21.92	0	20.84	20.96	20.92	1
	1	12	22.09	22.13	22.10	0	21.09	21.13	21.10	1
	1	24	21.85	22.01	21.95	0	20.85	21.01	20.95	1
	12	0	20.89	21.06	21.03	1	19.89	20.06	20.03	2
	12	6	21.04	21.13	21.05	1	20.04	20.13	20.05	2
	12	13	20.95	21.10	21.01	1	19.95	20.10	20.01	2
	25	0	20.86	20.95	20.90	1	19.86	19.95	19.90	2

LTE Band / BW	RB Size	RB Offset	QPSK			3GPP MPR (dB)	16QAM			3GPP MPR (dB)
			Low CH 20450	Mid CH 20525	High CH 20600		Low CH 20450	Mid CH 20525	High CH 20600	
			829.0 MHz	836.5 MHz	844.0 MHz		829.0 MHz	836.5 MHz	844.0 MHz	
5 / 10M	1	0	21.96	22.08	22.04	0	20.96	21.08	21.04	1
	1	24	22.21	22.25	22.22	0	21.21	21.25	21.22	1
	1	49	21.97	22.13	22.07	0	20.97	21.13	21.07	1
	25	0	21.01	21.18	21.15	1	20.01	20.18	20.15	2
	25	12	21.16	21.25	21.17	1	20.16	20.25	20.17	2
	25	25	21.07	21.22	21.13	1	20.07	20.22	20.13	2
	50	0	20.98	21.07	21.02	1	19.98	20.07	20.02	2

LTE Band / BW	RB Size	RB Offset	QPSK			3GPP MPR (dB)	16QAM			3GPP MPR (dB)
			Low CH 23205	Mid CH 23230	High CH 23255		Low CH 23205	Mid CH 23230	High CH 23255	
			779.5 MHz	782.0 MHz	784.5 MHz		779.5 MHz	782.0 MHz	784.5 MHz	
13 / 5M	1	0	22.08	22.21	22.37	0	21.03	21.16	21.32	1
	1	12	22.25	22.36	22.23	0	21.20	21.31	21.18	1
	1	24	22.35	22.25	22.02	0	21.30	21.20	20.97	1
	12	0	21.09	21.34	21.38	1	20.04	20.29	20.33	2
	12	6	21.22	21.37	21.13	1	20.17	20.38	20.08	2
	12	13	21.39	21.38	21.00	1	20.34	20.33	19.95	2
	25	0	21.05	21.36	21.15	1	20.00	20.31	20.10	2

LTE Band / BW	RB Size	RB Offset	QPSK			3GPP MPR (dB)	16QAM			3GPP MPR (dB)
			Mid CH 23230				Mid CH 23230			
			782.0 MHz				782.0 MHz			
13 / 10M	1	0	22.16			0	21.09			1
	1	24	22.41			0	21.34			1
	1	49	22.08			0	21.01			1
	25	0	21.41			1	20.34			2
	25	12	21.48			1	20.49			2
	25	25	21.41			1	20.34			2
	50	0	21.35			1	20.28			2

FCC SAR Test Report

LTE Band / BW	RB Size	RB Offset	QPSK			3GPP MPR (dB)	16QAM			3GPP MPR (dB)
			Low CH 23755	Mid CH 23790	High CH 23825		Low CH 23755	Mid CH 23790	High CH 23825	
			706.5 MHz	710.0 MHz	713.5 MHz		706.5 MHz	710.0 MHz	713.5 MHz	
17 / 5M	1	0	22.26	22.36	22.37	0	21.18	21.28	21.29	1
	1	12	22.47	22.53	22.38	0	21.39	21.45	21.30	1
	1	24	22.12	22.15	21.96	0	21.04	21.07	20.88	1
	12	0	21.47	21.33	21.33	1	20.39	20.25	20.25	2
	12	6	21.29	21.29	21.20	1	20.21	20.21	20.12	2
	12	13	21.22	21.26	21.15	1	20.14	20.18	20.07	2
	25	0	21.33	21.06	21.18	1	20.25	19.98	20.10	2

LTE Band / BW	RB Size	RB Offset	QPSK			3GPP MPR (dB)	16QAM			3GPP MPR (dB)
			Low CH 23780	Mid CH 23790	High CH 23800		Low CH 23780	Mid CH 23790	High CH 23800	
			709.0 MHz	710.0 MHz	711.0 MHz		709.0 MHz	710.0 MHz	711.0 MHz	
17 / 10M	1	0	22.42	22.52	22.53	0	21.39	21.49	21.50	1
	1	24	22.63	22.69	22.54	0	21.60	21.66	21.51	1
	1	49	22.28	22.31	22.12	0	21.25	21.28	21.09	1
	25	0	21.63	21.49	21.49	1	20.60	20.46	20.46	2
	25	12	21.45	21.45	21.36	1	20.42	20.42	20.33	2
	25	25	21.38	21.42	21.31	1	20.35	20.39	20.28	2
	50	0	21.49	21.22	21.34	1	20.46	20.19	20.31	2

LTE Band / BW	RB Size	RB Offset	QPSK			3GPP MPR (dB)	16QAM			3GPP MPR (dB)
			Low CH 26047	Mid CH 26365	High CH 26683		Low CH 26047	Mid CH 26365	High CH 26683	
			1850.7 MHz	1882.5 MHz	1914.3 MHz		1850.7 MHz	1882.5 MHz	1914.3 MHz	
25 / 1.4M	1	0	21.93	21.86	21.62	0	20.80	20.73	20.61	1
	1	2	21.88	21.73	21.63	0	20.75	20.61	20.65	1
	1	5	21.76	21.65	21.85	0	20.63	20.62	20.72	1
	3	0	21.72	21.63	21.64	0	20.66	20.64	20.62	1
	3	1	21.63	21.65	21.66	0	20.65	20.61	20.68	1
	3	3	21.67	21.61	21.63	0	20.63	20.65	20.68	1
	6	0	20.68	20.63	20.66	1	19.65	19.61	19.63	2

LTE Band / BW	RB Size	RB Offset	QPSK			3GPP MPR (dB)	16QAM			3GPP MPR (dB)
			Low CH 26055	Mid CH 26365	High CH 26675		Low CH 26055	Mid CH 26365	High CH 26675	
			1851.5 MHz	1882.5 MHz	1913.5 MHz		1851.5 MHz	1882.5 MHz	1913.5 MHz	
25 / 3M	1	0	22.00	21.93	21.69	0	20.98	20.91	20.67	1
	1	7	21.95	21.80	21.70	0	20.93	20.78	20.68	1
	1	14	21.83	21.62	21.92	0	20.81	20.61	20.90	1
	8	0	20.79	20.62	20.67	1	19.77	19.62	19.65	2
	8	3	20.65	20.69	20.64	1	19.63	19.61	19.65	2
	8	7	20.66	20.68	20.61	1	19.64	19.66	19.69	2
	15	0	20.75	20.61	20.62	1	19.73	19.67	19.63	2

FCC SAR Test Report

LTE Band / BW	RB Size	RB Offset	QPSK			3GPP MPR (dB)	16QAM			3GPP MPR (dB)
			Low CH 26065	Mid CH 26365	High CH 26665		Low CH 26065	Mid CH 26365	High CH 26665	
			1852.5 MHz	1882.5 MHz	1912.5 MHz		1852.5 MHz	1882.5 MHz	1912.5 MHz	
25 / 5M	1	0	22.18	22.11	21.87	0	21.11	21.04	20.80	1
	1	12	22.13	21.98	21.88	0	21.06	20.91	20.81	1
	1	24	22.01	21.80	22.10	0	20.94	20.73	21.03	1
	12	0	20.97	20.80	20.65	1	19.90	19.73	19.65	2
	12	6	20.83	20.77	20.61	1	19.76	19.70	19.66	2
	12	13	20.77	20.66	20.79	1	19.70	19.63	19.72	2
	25	0	20.93	20.79	20.80	1	19.86	19.72	19.73	2

LTE Band / BW	RB Size	RB Offset	QPSK			3GPP MPR (dB)	16QAM			3GPP MPR (dB)
			Low CH 26090	Mid CH 26365	High CH 26640		Low CH 26090	Mid CH 26365	High CH 26640	
			1855.0 MHz	1882.5 MHz	1910.0 MHz		1855.0 MHz	1882.5 MHz	1910.0 MHz	
25 / 10M	1	0	22.35	22.28	22.04	0	21.31	21.24	21.00	1
	1	24	22.30	22.15	22.05	0	21.26	21.11	21.01	1
	1	49	22.18	21.97	22.27	0	21.14	20.93	21.23	1
	25	0	21.14	20.97	20.82	1	20.10	19.93	19.78	2
	25	12	21.00	20.94	20.78	1	19.96	19.90	19.74	2
	25	25	20.94	20.83	20.96	1	19.90	19.79	19.92	2
	50	0	21.10	20.96	20.97	1	20.06	19.92	19.93	2

LTE Band / BW	RB Size	RB Offset	QPSK			3GPP MPR (dB)	16QAM			3GPP MPR (dB)
			Low CH 26115	Mid CH 26365	High CH 26615		Low CH 26115	Mid CH 26365	High CH 26615	
			1857.5 MHz	1882.5 MHz	1907.5 MHz		1857.5 MHz	1882.5 MHz	1907.5 MHz	
25 / 15M	1	0	22.46	22.39	22.15	0	21.40	21.33	21.09	1
	1	37	22.41	22.26	22.16	0	21.35	21.20	21.10	1
	1	74	22.29	22.08	22.38	0	21.23	21.02	21.32	1
	36	0	21.25	21.08	20.93	1	20.19	20.02	19.87	2
	36	19	21.11	21.05	20.89	1	20.05	19.99	19.83	2
	36	39	21.05	20.94	21.07	1	19.99	19.88	20.01	2
	75	0	21.21	21.07	21.08	1	20.15	20.01	20.02	2

LTE Band / BW	RB Size	RB Offset	QPSK			3GPP MPR (dB)	16QAM			3GPP MPR (dB)
			Low CH 26140	Mid CH 26365	High CH 26590		Low CH 26140	Mid CH 26365	High CH 26590	
			1860.0 MHz	1882.5 MHz	1905.0 MHz		1860.0 MHz	1882.5 MHz	1905.0 MHz	
25 / 20M	1	0	22.53	22.46	22.22	0	21.51	21.44	21.20	1
	1	50	22.48	22.33	22.23	0	21.46	21.31	21.21	1
	1	99	22.36	22.15	22.45	0	21.34	21.13	21.43	1
	50	0	21.32	21.15	21.00	1	20.30	20.13	19.98	2
	50	25	21.18	21.12	20.96	1	20.16	20.10	19.94	2
	50	50	21.12	21.01	21.14	1	20.10	19.99	20.12	2
	100	0	21.28	21.14	21.15	1	20.26	20.12	20.13	2

FCC SAR Test Report

<WLAN 2.4G>

Mode	802.11b		
Channel / Frequency (MHz)	1 (2412)	6 (2437)	11 (2462)
Average Power (Ant-0)	15.21	15.38	14.95
Average Power (Ant-1)	14.95	15.39	15.38
Mode	802.11g		
Channel / Frequency (MHz)	1 (2412)	6 (2437)	11 (2462)
Average Power (Ant-0)	15.23	15.81	15.41
Average Power (Ant-1)	15.79	15.91	16.03
Mode	802.11n (HT20)		
Channel / Frequency (MHz)	1 (2412)	6 (2437)	11 (2462)
Average Power (Ant-0)	15.12	15.73	15.76
Average Power (Ant-1)	16.18	15.99	16.01
Average Power (Ant-0 + Ant-1)	16.71	16.87	16.82
Mode	802.11n (HT40)		
Channel / Frequency (MHz)	3 (2422)	6 (2437)	9 (2452)
Average Power (Ant-0)	15.24	15.69	15.53
Average Power (Ant-1)	16.21	15.98	15.95
Average Power (Ant-0 + Ant-1)	16.57	16.29	16.83

<WLAN 5.2G>

Mode	802.11a			
Channel / Frequency (MHz)	36 (5180)	40 (5200)	44 (5220)	48 (5240)
Average Power (Ant-0)	14.19	14.25	14.33	14.42
Average Power (Ant-1)	16.00	15.99	15.93	15.98
Mode	802.11n (HT20)			
Channel / Frequency (MHz)	36 (5180)	40 (5200)	44 (5220)	48 (5240)
Average Power (Ant-0)	13.25	13.74	13.85	13.92
Average Power (Ant-1)	15.22	15.12	15.21	15.16
Average Power (Ant-0 + Ant-1)	14.97	14.87	15.10	15.01
Mode	802.11n (HT40)			
Channel / Frequency (MHz)	38 (5190)		46 (5230)	
Average Power (Ant-0)	13.96		13.95	
Average Power (Ant-1)	15.09		15.14	
Average Power (Ant-0 + Ant-1)	15.15		15.01	
Mode	802.11ac (VHT80)			
Channel / Frequency (MHz)	42 (5210)			
Average Power (Ant-0)	8.38			
Average Power (Ant-1)	8.19			
Average Power (Ant-0 + Ant-1)	8.08			

FCC SAR Test Report

<WLAN 5.3G>

Mode	802.11a			
Channel / Frequency (MHz)	52 (5260)	56 (5280)	60 (5300)	64 (5320)
Average Power (Ant-0)	14.27	14.30	14.32	14.35
Average Power (Ant-1)	15.67	15.63	15.51	15.39
Mode	802.11n (HT20)			
Channel / Frequency (MHz)	52 (5260)	56 (5280)	60 (5300)	64 (5320)
Average Power (Ant-0)	14.13	14.04	14.20	14.18
Average Power (Ant-1)	15.09	14.99	14.86	14.99
Average Power (Ant-0 + Ant-1)	15.02	14.99	15.14	15.23
Mode	802.11n (HT40)			
Channel / Frequency (MHz)	54 (5270)		62 (5310)	
Average Power (Ant-0)	13.98		13.94	
Average Power (Ant-1)	15.11		14.83	
Average Power (Ant-0 + Ant-1)	15.04		15.30	
Mode	802.11ac (VHT80)			
Channel / Frequency (MHz)	58 (5290)			
Average Power (Ant-0)	9.45			
Average Power (Ant-1)	9.25			
Average Power (Ant-0 + Ant-1)	8.90			

<WLAN 5.6G>

Mode	802.11a							
Channel / Frequency (MHz)	100 (5500)	104 (5520)	108 (5540)	112 (5560)	116 (5580)	132 (5660)	136 (5680)	140 (5700)
Average Power (Ant-0)	13.32	13.25	12.68	12.66	12.71	12.55	12.51	12.56
Average Power (Ant-1)	15.26	15.11	14.91	15.21	15.23	14.74	14.72	14.78
Mode	802.11n (HT20)							
Channel / Frequency (MHz)	100 (5500)	104 (5520)	108 (5540)	112 (5560)	116 (5580)	132 (5660)	136 (5680)	140 (5700)
Average Power (Ant-0)	12.95	12.89	12.84	12.43	12.27	12.21	12.14	12.17
Average Power (Ant-1)	14.92	14.82	14.73	14.88	15.02	14.56	14.45	14.61
Average Power (Ant-0 + Ant-1)	15.24	14.73	15.03	14.90	15.43	15.02	15.09	15.10
Mode	802.11n (HT40)							
Channel / Frequency (MHz)	102 (5510)				134 (5670)			
Average Power (Ant-0)	12.85				12.49			
Average Power (Ant-1)	14.97				14.76			
Average Power (Ant-0 + Ant-1)	14.89				15.45			
Mode	802.11ac (VHT80)							
Channel / Frequency (MHz)	106 (5530)				122 (5610)			
Average Power (Ant-0)	7.24				7.20			
Average Power (Ant-1)	6.94				6.86			
Average Power (Ant-0 + Ant-1)	7.50				7.35			

FCC SAR Test Report

<WLAN 5.8G>

Mode	802.11a				
Channel / Frequency (MHz)	149 (5745)	153 (5765)	157 (5785)	161 (5805)	165 (5825)
Average Power (Ant-0)	12.26	11.88	11.90	11.86	11.65
Average Power (Ant-1)	15.10	14.64	14.82	14.89	14.75
Mode	802.11n (HT20)				
Channel / Frequency (MHz)	149 (5745)	153 (5765)	157 (5785)	161 (5805)	165 (5825)
Average Power (Ant-0)	11.91	12.01	11.61	11.51	11.33
Average Power (Ant-1)	14.80	14.61	14.81	14.48	14.78
Average Power (Ant-0 + Ant-1)	13.47	13.41	13.43	13.31	13.46
Mode	802.11n (HT40)				
Channel / Frequency (MHz)	151 (5755)		159 (5795)		
Average Power (Ant-0)	11.68		11.32		
Average Power (Ant-1)	14.55		14.53		
Average Power (Ant-0 + Ant-1)	15.39		15.01		
Mode	802.11ac (VHT80)				
Channel / Frequency (MHz)	155 (5775)				
Average Power (Ant-0)	11.97				
Average Power (Ant-1)	12.31				
Average Power (Ant-0 + Ant-1)	12.40				

<Bluetooth>

Mode	Bluetooth		
Channel / Frequency (MHz)	0 (2402)	39 (2441)	78 (2480)
Average Power	7.06	6.52	6.11

<UHF RFID>

Mode	UHF RFID		
Channel / Frequency (MHz)	9202.75	914.75	927.25
Average Power	17.95	17.21	16.33

4.7 SAR Testing Results

4.7.1 SAR Test Reduction Considerations

<KDB 447498 D01, General RF Exposure Guidance>

Testing of other required channels within the operating mode of a frequency band is not required when the reported SAR for the mid-band or highest output power channel is:

- (1) ≤ 0.8 W/kg or 2.0 W/kg, for 1-g or 10-g respectively, when the transmission band is ≤ 100 MHz
- (2) ≤ 0.6 W/kg or 1.5 W/kg, for 1-g or 10-g respectively, when the transmission band is between 100 MHz and 200 MHz
- (3) ≤ 0.4 W/kg or 1.0 W/kg, for 1-g or 10-g respectively, when the transmission band is ≥ 200 MHz

<KDB 941225 D01, 3G SAR Measurement Procedures>

The mode tested for SAR is referred to as the primary mode. The equivalent modes considered for SAR test reduction are denoted as secondary modes. Both primary and secondary modes must be in the same frequency band. When the maximum output power and tune-up tolerance specified for production units in a secondary mode is $\leq 1/4$ dB higher than the primary mode or when the highest reported SAR of the primary mode is scaled by the ratio of specified maximum output power and tune-up tolerance of secondary to primary mode and the adjusted SAR is ≤ 1.2 W/kg, SAR measurement is not required for the secondary mode.

<KDB 941225 D05, SAR Evaluation Considerations for LTE Devices>

(1) QPSK with 1 RB and 50% RB allocation

Start with the largest channel bandwidth and measure SAR, using the RB offset and required test channel combination with the highest maximum output power among RB offsets at the upper edge, middle and lower edge of each required test channel. When the reported SAR is ≤ 0.8 W/kg, testing of the remaining RB offset configurations and required test channels is not required; otherwise, SAR is required for the remaining required test channels and only for the RB offset configuration with the highest output power for that channel. When the reported SAR of a required test channel is > 1.45 W/kg, SAR is required for all three RB offset configurations for that required test channel.

(2) QPSK with 100% RB allocation

SAR is not required when the highest maximum output power for 100% RB allocation is less than the highest maximum output power in 50% and 1 RB allocations and the highest reported SAR for 1 RB and 50% RB allocation are ≤ 0.8 W/kg. Otherwise, SAR is measured for the highest output power channel; and if the reported SAR is > 1.45 W/kg, the remaining required test channels must also be tested.

(3) Higher order modulations

SAR is required only when the highest maximum output power for the configuration in the higher order modulation is $> 1/2$ dB higher than the same configuration in QPSK or when the reported SAR for the QPSK configuration is > 1.45 W/kg.

(4) Other channel bandwidth

SAR is required when the highest maximum output power of the smaller channel bandwidth is $> 1/2$ dB higher than the equivalent channel configurations in the largest channel bandwidth configuration or the reported SAR of a configuration for the largest channel bandwidth is > 1.45 W/kg.

<KDB 248227 D01, SAR Guidance for Wi-Fi Transmitters>

- (1) For handsets operating next to ear, hotspot mode or mini-tablet configurations, the initial test position procedures were applied. The test position with the highest extrapolated peak SAR will be used as the initial test position. When the reported SAR of initial test position is ≤ 0.4 W/kg, SAR testing for remaining test positions is not required. Otherwise, SAR is evaluated at the subsequent highest peak SAR positions until the reported SAR result is ≤ 0.8 W/kg or all test positions are measured.
- (2) For WLAN 2.4 GHz, the highest measured maximum output power channel for DSSS was selected for SAR measurement. When the reported SAR is ≤ 0.8 W/kg, no further SAR testing is required. Otherwise, SAR is evaluated at the next highest measured output power channel. When any reported SAR is > 1.2 W/kg, SAR is required for the third channel. For OFDM modes (802.11g/n), SAR is not required when the highest reported SAR for DSSS is adjusted by the ratio of OFDM to DSSS specified maximum output power and it is ≤ 1.2 W/kg.
- (3) For WLAN 5 GHz, the initial test configuration was selected according to the transmission mode with the highest maximum output power. When the reported SAR of initial test configuration is > 0.8 W/kg, SAR is required for the subsequent highest measured output power channel until the reported SAR result is ≤ 1.2 W/kg or all required channels are measured. For other transmission modes, SAR is not required when the highest reported SAR for initial test configuration is adjusted by the ratio of subsequent test configuration to initial test configuration specified maximum output power and it is ≤ 1.2 W/kg.
- (4) For WLAN MIMO mode, the power-based standalone SAR test exclusion or the sum of SAR provision in KDB 447498 to determine simultaneous transmission SAR test exclusion should be applied. Otherwise, SAR for MIMO mode will be measured with all applicable antennas transmitting simultaneously at the specified maximum output power of MIMO operation.

FCC SAR Test Report

4.7.2 SAR Results for Body Exposure Condition (Separation Distance is 0 cm Gap)

Plot No.	Band	Test Position	Ch.	EUT Config.	Max. Tune-up Power (dBm)	Measured Conducted Power (dBm)	Scaling Factor	Power Drift (dB)	Measured SAR-1g (W/kg)	Scaled SAR-1g (W/kg)
01	UHF RFID	Rear Face	902.75 MHz	A	18.0	17.95	1.01	-0.16	0.095	0.10
	UHF RFID	Rear Face	902.75 MHz	B	18.0	17.95	1.01	-0.17	0.053	0.05
	UHF RFID	Rear Face	902.75 MHz	C	18.0	17.95	1.01	-0.13	0.062	0.06
	UHF RFID	Left Side	902.75 MHz	A	18.0	17.95	1.01	-0.06	0.0000981	0.00
	UHF RFID	Right Side	902.75 MHz	A	18.0	17.95	1.01	0.11	0.0000716	0.00
	UHF RFID	Top Side	902.75 MHz	A	18.0	17.95	1.01	-0.06	0.00256	0.00
	UHF RFID	Bottom Side	902.75 MHz	A	18.0	17.95	1.01	0.06	0.0044	0.00

Plot No.	Band	Mode	Test Position	Ch.	EUT Config.	RS500	Max. Tune-up Power (dBm)	Measured Conducted Power (dBm)	Scaling Factor	Power Drift (dB)	Measured SAR-1g (W/kg)	Scaled SAR-1g (W/kg)
02	GSM850	GPRS10	Rear Face	128	C	w/	32.0	31.91	1.02	0.04	0.029	0.03
03	GSM1900	GPRS10	Top Side	661	C	w/	29.0	28.98	1.00	-0.02	0.788	0.79
04	WCDMA II	RMC12.2K	Rear Face	9262	C	w/	23.5	23.06	1.11	0	0.034	0.04
05	WCDMA IV	RMC12.2K	Top Side	1413	C	w/	23.0	22.83	1.04	-0.01	0.934	0.97
	WCDMA IV	RMC12.2K	Top Side	1312	C	w/	23.0	22.57	1.10	0.04	0.876	0.97
	WCDMA IV	RMC12.2K	Top Side	1513	C	w/	23.0	22.79	1.05	0.09	0.901	0.95
06	WCDMA V	RMC12.2K	Rear Face	4182	C	w/	23.0	22.81	1.04	0.05	0.038	0.04
07	CDMA2000 BC0	RTAP153.6	Rear Face	1013	C	w/	24.0	23.57	1.10	0.02	0.00394	0.00
08	CDMA2000 BC1	RTAP153.6	Rear Face	25	C	w/	24.0	23.97	1.01	-0.02	0.030	0.03
09	CDMA2000 BC10	RTAP153.6	Rear Face	476	C	w/	24.0	23.58	1.10	0.13	0.038	0.04

Note: The SAR testing above was verified based on the worst case.

Plot No.	Band	Mode	Test Position	Ch.	EUT Config.	RB#	RB Offset	RS500	Max. Tune-up Power (dBm)	Measured Conducted Power (dBm)	Scaling Factor	Power Drift (dB)	Measured SAR-1g (W/kg)	Scaled SAR-1g (W/kg)
10	LTE 2	QPSK20M	Rear Face	18700	C	1	50	w/	22.7	22.69	1.00	0.09	0.034	0.03
	LTE 4	QPSK20M	Top Side	20300	C	1	0	w/	22.8	22.73	1.02	0.04	0.905	0.92
11	LTE 4	QPSK20M	Top Side	20050	C	1	99	w/	22.8	22.48	1.08	0.08	0.898	0.97
	LTE 4	QPSK20M	Top Side	20050	C	1	99	w/	22.8	22.48	1.08	0.11	0.891	0.96
	LTE 4	QPSK20M	Top Side	20175	C	1	50	w/	22.8	22.64	1.04	0.04	0.901	0.93
12	LTE 5	QPSK10M	Top Side	20525	C	1	24	w/	22.3	22.25	1.01	0.04	0.140	0.14
13	LTE 13	QPSK10M	Rear Face	23230	C	1	24	w/	22.5	22.41	1.02	0.09	0.031	0.03
14	LTE 17	QPSK10M	Rear Face	23790	C	1	24	w/	22.7	22.69	1.00	0.03	0.015	0.02
15	LTE 25	QPSK20M	Top Side	26140	C	1	0	w/	22.6	22.53	1.02	-0.03	0.898	0.91

Note: The SAR testing above was verified based on the worst case.

FCC SAR Test Report

Plot No.	Band	Mode	Test Position	Ch.	EUT Config.	Ant Status	RS500	Max. Tune-up Power (dBm)	Measured Conducted Power (dBm)	Scaling Factor	Power Drift (dB)	Measured SAR-1g (W/kg)	Scaled SAR-1g (W/kg)
16	2.4G WLAN	802.11b	Left Side	6	C	0	w/	15.5	15.38	1.03	-0.10	0.124	0.13
	5.3G WLAN	802.11a	Left Side	64	A	0	w/	14.5	14.35	1.04	-0.08	1.07	1.11
	5.3G WLAN	802.11a	Left Side	64	A	0	w/	14.5	14.35	1.04	0.12	1.05	1.09
17	5.3G WLAN	802.11a	Left Side	60	A	0	w/	14.5	14.32	1.04	-0.01	1.07	1.12
18	5.6G WLAN	802.11a	Left Side	100	B	0	w/	13.5	13.32	1.04	0.06	0.858	0.89
	5.6G WLAN	802.11a	Left Side	100	B	0	w/	13.5	13.32	1.04	0.11	0.851	0.89
	5.6G WLAN	802.11a	Left Side	104	B	0	w/	13.5	13.25	1.06	0.07	0.840	0.89
19	5.8G WLAN	802.11a	Left Side	149	B	0	w/	12.5	12.26	1.06	-0.11	0.676	0.71

Note: The SAR testing above was verified based on the worst case.

Plot No.	Band	Test Position	Ch.	EUT Config.	RS500	Max. Tune-up Power (dBm)	Measured Conducted Power (dBm)	Scaling Factor	Power Drift (dB)	Measured SAR-1g (W/kg)	Scaled SAR-1g (W/kg)
	Bluetooth	Rear Face	0	A	w/	7.5	7.06	1.11	0	0	0.00
	Bluetooth	Left Side	0	A	w/	7.5	7.06	1.11	0	0	0.00
	Bluetooth	Top Side	0	A	w/	7.5	7.06	1.11	0	0	0.00
	Bluetooth	Left Side	0	B	w/	7.5	7.06	1.11	0	0	0.00
	Bluetooth	Left Side	0	C	w/	7.5	7.06	1.11	0	0	0.00

4.7.3 SAR Measurement Variability

According to KDB 865664 D01, SAR measurement variability was assessed for each frequency band, which is determined by the SAR probe calibration point and tissue-equivalent medium used for the device measurements. When both head and body tissue-equivalent media are required for SAR measurements in a frequency band, the variability measurement procedures should be applied to the tissue medium with the highest measured SAR, using the highest measured SAR configuration for that tissue-equivalent medium. Alternatively, if the highest measured SAR for both head and body tissue-equivalent media are ≤ 1.45 W/kg and the ratio of these highest SAR values, i.e., largest divided by smallest value, is ≤ 1.10 , the highest SAR configuration for either head or body tissue-equivalent medium may be used to perform the repeated measurement. These additional measurements are repeated after the completion of all measurements requiring the same head or body tissue-equivalent medium in a frequency band. The test device should be returned to ambient conditions (normal room temperature) with the battery fully charged before it is re-mounted on the device holder for the repeated measurement(s) to minimize any unexpected variations in the repeated results.

SAR repeated measurement procedure:

1. When the highest measured SAR is < 0.80 W/kg, repeated measurement is not required.
2. When the highest measured SAR is ≥ 0.80 W/kg, repeat that measurement once.
3. If the ratio of largest to smallest SAR for the original and first repeated measurements is > 1.20 , or when the original or repeated measurement is ≥ 1.45 W/kg, perform a second repeated measurement.
4. If the ratio of largest to smallest SAR for the original, first and second repeated measurements is > 1.20 , and the original, first or second repeated measurement is ≥ 1.5 W/kg, perform a third repeated measurement.

Band	Mode	Test Position	Ch.	Original Measured SAR-1g (W/kg)	1st Repeated SAR-1g (W/kg)	L/S Ratio	2nd Repeated SAR-1g (W/kg)	L/S Ratio	3rd Repeated SAR-1g (W/kg)	L/S Ratio
LTE 4	QPSK20M	Top Side	20050	0.898	0.891	1.01	N/A	N/A	N/A	N/A
5.3G WLAN	802.11a	Left Side	64	1.070	1.050	1.02	N/A	N/A	N/A	N/A
5.6G WLAN	802.11a	Left Side	100	0.858	0.851	1.01	N/A	N/A	N/A	N/A

4.7.4 Simultaneous Multi-band Transmission Evaluation

<Estimated SAR Calculation>

According to KDB 447498 D01, when standalone SAR test exclusion applies to an antenna that transmits simultaneously with other antennas, the standalone SAR was estimated according to following formula to result in substantially conservative SAR values of <= 0.4 W/kg to determine simultaneous transmission SAR test exclusion.

$$\text{Estimated SAR} = \frac{\text{Max. Tune up Power}_{(mW)}}{\text{Min. Test Separation Distance}_{(mm)}} \times \frac{\sqrt{f_{(GHz)}}}{7.5}$$

If the minimum test separation distance is < 5 mm, a distance of 5 mm is used for estimated SAR calculation. When the test separation distance is > 50 mm, the 0.4 W/kg is used for SAR-1g.

Mode / Band	Frequency (GHz)	Max. Tune-up Power (dBm)	Test Position	Separation Distance (mm)	Estimated SAR (W/kg)
GSM850	0.8488	32.0	Body	5	0.40
GSM1900	1.9098	29.5	Body	5	0.40
WCDMA II	1.9076	23.5	Body	5	0.40
WCDMA IV	1.7526	23.0	Body	5	0.40
WCDMA V	0.8466	23.0	Body	5	0.40
CDMA BC0	0.84831	24.0	Body	5	0.40
CDMA BC1	1.90875	24.0	Body	5	0.40
CDMA BC10	0.8231	24.0	Body	5	0.40
LTE 2	1.9093	22.7	Body	5	0.40
LTE 4	1.7543	22.8	Body	5	0.40
LTE 5	0.8483	22.3	Body	5	0.40
LTE 13	0.7845	22.5	Body	5	0.40
LTE 17	0.7135	22.7	Body	5	0.40
LTE 25	1.9143	22.6	Body	5	0.40

FCC SAR Test Report

< For WLAN Ant-0 >

Mode / Band	Frequency (GHz)	Max. Tune-up Power (dBm)	Test Position	Separation Distance (mm)	Estimated SAR (W/kg)
WLAN (DTS)	2.462	16.0	Body	5	0.40
WLAN (5.3G)	5.32	14.5	Body	5	0.40
WLAN (5.6G)	5.7	13.5	Body	5	0.40
WLAN (5.8G)	5.825	12.5	Body	5	0.40

< For WLAN Ant-1 >

Mode / Band	Frequency (GHz)	Max. Tune-up Power (dBm)	Test Position	Separation Distance (mm)	Estimated SAR (W/kg)
WLAN (DTS)	2.462	16.5	Body	5	0.40
WLAN (5.3G)	5.32	16.0	Body	5	0.40
WLAN (5.6G)	5.7	15.5	Body	5	0.40
WLAN (5.8G)	5.825	15.5	Body	5	0.40
BT (DSS)	2.48	7.5	Body	5	0.24

< For WLAN Ant-0+1 >

Mode / Band	Frequency (GHz)	Max. Tune-up Power (dBm)	Test Position	Separation Distance (mm)	Estimated SAR (W/kg)
WLAN (DTS)	2.462	17.0	Body	5	0.40
WLAN (5.3G)	5.32	15.5	Body	5	0.40
WLAN (5.6G)	5.7	15.5	Body	5	0.40
WLAN (5.8G)	5.825	15.5	Body	5	0.40

Note:

1. The separation distance is determined from the outer housing of the EUT to the user.
2. When standalone SAR testing is not required, an estimated SAR can be applied to determine simultaneous transmission SAR test exclusion.

FCC SAR Test Report

<SAR Summation Analysis>

Simultaneous transmission SAR test exclusion is determined for each operating configuration and exposure condition according to the reported standalone SAR of each applicable simultaneous transmitting antenna. When the sum of SAR_{1g} of all simultaneously transmitting antennas in an operating mode and exposure condition combination is within the SAR limit (SAR_{1g} 1.6 W/kg), the simultaneous transmission SAR is not required. When the sum of SAR_{1g} is greater than the SAR limit (SAR_{1g} 1.6 W/kg), SAR test exclusion is determined by the SPLSR.

The test result of EUT which tested without RFID is worse than with RFID.

No.	Conditions (SAR1 + SAR2 + SAR 3 + SAR 4)	Exposure Condition	Test Position	Max. SAR1	Max. SAR2	Max. SAR3	Max. SAR4	SAR Summation	SPLSR Analysis
1	GSM850 + WLAN (DTS) + BT (DSS) + RFID (DSS)	Body	Rear Face	0.14	0.13	0	0.10	0.37	Σ SAR < 1.6, Not required
			Left Side	0	0.16	0	0	0.16	Σ SAR < 1.6, Not required
			Right Side	0	0.00	0	0	0	Σ SAR < 1.6, Not required
			Top Side	0	0.11	0	0	0.11	Σ SAR < 1.6, Not required
			Bottom Side	0	0.13	0	0	0.13	Σ SAR < 1.6, Not required
2	GSM850 + WLAN (NII) + BT (DSS) + RFID (DSS)	Body	Rear Face	0.14	0.28	0	0.10	0.52	Σ SAR < 1.6, Not required
			Left Side	0	1.34	0	0	1.34	Σ SAR < 1.6, Not required
			Right Side	0	0.00	0	0	0	Σ SAR < 1.6, Not required
			Top Side	0	0.40	0	0	0.4	Σ SAR < 1.6, Not required
			Bottom Side	0	0.68	0	0	0.68	Σ SAR < 1.6, Not required

FCC SAR Test Report

No.	Conditions (SAR1 + SAR2 + SAR 3 + SAR 4)	Exposure Condition	Test Position	Max. SAR1	Max. SAR2	Max. SAR3	Max. SAR4	SAR Summation	SPLSR Analysis
3	GSM1900 + WLAN (DTS) + BT (DSS) + RFID (DSS)	Body	Rear Face	0.15	0.13	0	0.10	0.38	Σ SAR < 1.6, Not required
			Left Side	0	0.16	0	0	0.16	Σ SAR < 1.6, Not required
			Right Side	0	0.00	0	0	0	Σ SAR < 1.6, Not required
			Top Side	0.79	0.11	0	0	0.9	Σ SAR < 1.6, Not required
			Bottom Side	0.4	0.13	0	0	0.53	Σ SAR < 1.6, Not required
4	GSM1900 + WLAN (NII) + BT (DSS) + RFID (DSS)	Body	Rear Face	0.15	0.28	0	0.10	0.53	Σ SAR < 1.6, Not required
			Left Side	0	1.34	0	0	1.34	Σ SAR < 1.6, Not required
			Right Side	0	0.00	0	0	0	Σ SAR < 1.6, Not required
			Top Side	0.79	0.40	0	0	1.19	Σ SAR < 1.6, Not required
			Bottom Side	0.4	0.68	0	0	1.08	Σ SAR < 1.6, Not required
5	WCDMA II + WLAN (DTS) + BT (DSS) + RFID (DSS)	Body	Rear Face	0.9	0.13	0	0.10	1.13	Σ SAR < 1.6, Not required
			Left Side	0	0.16	0	0	0.16	Σ SAR < 1.6, Not required
			Right Side	0	0.00	0	0	0	Σ SAR < 1.6, Not required
			Top Side	0.08	0.11	0	0	0.19	Σ SAR < 1.6, Not required
			Bottom Side	0.4	0.13	0	0	0.53	Σ SAR < 1.6, Not required
6	WCDMA II + WLAN (NII) + BT (DSS) + RFID (DSS)	Body	Rear Face	0.9	0.28	0	0.10	1.28	Σ SAR < 1.6, Not required
			Left Side	0	1.34	0	0	1.34	Σ SAR < 1.6, Not required
			Right Side	0	0.00	0	0	0	Σ SAR < 1.6, Not required
			Top Side	0.08	0.40	0	0	0.48	Σ SAR < 1.6, Not required
			Bottom Side	0.4	0.68	0	0	1.08	Σ SAR < 1.6, Not required

FCC SAR Test Report

No.	Conditions (SAR1 + SAR2 + SAR 3 + SAR 4)	Exposure Condition	Test Position	Max. SAR1	Max. SAR2	Max. SAR3	Max. SAR4	SAR Summation	SPLSR Analysis
7	WCDMA IV + WLAN (DTS) + BT (DSS) + RFID (DSS)	Body	Rear Face	0.37	0.13	0	0.10	0.6	Σ SAR < 1.6, Not required
			Left Side	0	0.16	0	0	0.16	Σ SAR < 1.6, Not required
			Right Side	0	0.00	0	0	0	Σ SAR < 1.6, Not required
			Top Side	1	0.11	0	0	1.11	Σ SAR < 1.6, Not required
			Bottom Side	0.4	0.13	0	0	0.53	Σ SAR < 1.6, Not required
8	WCDMA IV + WLAN (NII) + BT (DSS) + RFID (DSS)	Body	Rear Face	0.37	0.28	0	0.10	0.75	Σ SAR < 1.6, Not required
			Left Side	0	1.34	0	0	1.34	Σ SAR < 1.6, Not required
			Right Side	0	0.00	0	0	0	Σ SAR < 1.6, Not required
			Top Side	1	0.40	0	0	1.40	Σ SAR < 1.6, Not required
			Bottom Side	0.4	0.68	0	0	1.08	Σ SAR < 1.6, Not required
9	WCDMA V + WLAN (DTS) + BT (DSS) + RFID (DSS)	Body	Rear Face	0.15	0.13	0	0.10	0.38	Σ SAR < 1.6, Not required
			Left Side	0	0.16	0	0	0.16	Σ SAR < 1.6, Not required
			Right Side	0	0.00	0	0	0	Σ SAR < 1.6, Not required
			Top Side	0.07	0.11	0	0	0.18	Σ SAR < 1.6, Not required
			Bottom Side	0.4	0.13	0	0	0.53	Σ SAR < 1.6, Not required
10	WCDMA V + WLAN (NII) + BT (DSS) + RFID (DSS)	Body	Rear Face	0.15	0.28	0	0.10	0.53	Σ SAR < 1.6, Not required
			Left Side	0	1.34	0	0	1.34	Σ SAR < 1.6, Not required
			Right Side	0	0.00	0	0	0	Σ SAR < 1.6, Not required
			Top Side	0.07	0.40	0	0	0.47	Σ SAR < 1.6, Not required
			Bottom Side	0.4	0.68	0	0	1.08	Σ SAR < 1.6, Not required

FCC SAR Test Report

No.	Conditions (SAR1 + SAR2 + SAR 3 + SAR 4)	Exposure Condition	Test Position	Max. SAR1	Max. SAR2	Max. SAR3	Max. SAR4	SAR Summation	SPLSR Analysis
11	CDMA BC0 + WLAN (DTS) + BT (DSS) + RFID (DSS)	Body	Rear Face	0.21	0.13	0	0.10	0.44	Σ SAR < 1.6, Not required
			Left Side	0	0.16	0	0	0.16	Σ SAR < 1.6, Not required
			Right Side	0	0.00	0	0	0	Σ SAR < 1.6, Not required
			Top Side	0	0.11	0	0	0.11	Σ SAR < 1.6, Not required
			Bottom Side	0.4	0.13	0	0	0.53	Σ SAR < 1.6, Not required
12	CDMA BC0 + WLAN (NII) + BT (DSS) + RFID (DSS)	Body	Rear Face	0.21	0.28	0	0.10	0.59	Σ SAR < 1.6, Not required
			Left Side	0	1.34	0	0	1.34	Σ SAR < 1.6, Not required
			Right Side	0	0.00	0	0	0	Σ SAR < 1.6, Not required
			Top Side	0	0.40	0	0	0.4	Σ SAR < 1.6, Not required
			Bottom Side	0.4	0.68	0	0	1.08	Σ SAR < 1.6, Not required
13	CDMA BC1 + WLAN (DTS) + BT (DSS) + RFID (DSS)	Body	Rear Face	0.86	0.13	0	0.10	1.09	Σ SAR < 1.6, Not required
			Left Side	0	0.16	0	0	0.16	Σ SAR < 1.6, Not required
			Right Side	0	0.00	0	0	0	Σ SAR < 1.6, Not required
			Top Side	0.11	0.11	0	0	0.22	Σ SAR < 1.6, Not required
			Bottom Side	0.4	0.13	0	0	0.53	Σ SAR < 1.6, Not required
14	CDMA BC1 + WLAN (NII) + BT (DSS) + RFID (DSS)	Body	Rear Face	0.86	0.28	0	0.10	1.24	Σ SAR < 1.6, Not required
			Left Side	0	1.34	0	0	1.34	Σ SAR < 1.6, Not required
			Right Side	0	0.00	0	0	0	Σ SAR < 1.6, Not required
			Top Side	0.11	0.40	0	0	0.51	Σ SAR < 1.6, Not required
			Bottom Side	0.4	0.68	0	0	1.08	Σ SAR < 1.6, Not required

FCC SAR Test Report

No.	Conditions (SAR1 + SAR2 + SAR 3 + SAR 4)	Exposure Condition	Test Position	Max. SAR1	Max. SAR2	Max. SAR3	Max. SAR4	SAR Summation	SPLSR Analysis
15	CDMA BC10 + WLAN (DTS) + BT (DSS) + RFID (DSS)	Body	Rear Face	0.22	0.13	0	0.10	0.45	Σ SAR < 1.6, Not required
			Left Side	0	0.16	0	0	0.16	Σ SAR < 1.6, Not required
			Right Side	0	0.00	0	0	0	Σ SAR < 1.6, Not required
			Top Side	0	0.11	0	0	0.11	Σ SAR < 1.6, Not required
			Bottom Side	0.4	0.13	0	0	0.53	Σ SAR < 1.6, Not required
16	CDMA BC10 + WLAN (NII) + BT (DSS) + RFID (DSS)	Body	Rear Face	0.22	0.28	0	0.10	0.6	Σ SAR < 1.6, Not required
			Left Side	0	1.34	0	0	1.34	Σ SAR < 1.6, Not required
			Right Side	0	0.00	0	0	0	Σ SAR < 1.6, Not required
			Top Side	0	0.40	0	0	0.4	Σ SAR < 1.6, Not required
			Bottom Side	0.4	0.68	0	0	1.08	Σ SAR < 1.6, Not required
17	LTE 2 + WLAN (DTS) + BT (DSS) + RFID (DSS)	Body	Rear Face	0.86	0.13	0	0.10	1.09	Σ SAR < 1.6, Not required
			Left Side	0	0.16	0	0	0.16	Σ SAR < 1.6, Not required
			Right Side	0.04	0.00	0	0	0.04	Σ SAR < 1.6, Not required
			Top Side	0.38	0.11	0	0	0.49	Σ SAR < 1.6, Not required
			Bottom Side	0.4	0.13	0	0	0.53	Σ SAR < 1.6, Not required
18	LTE 2 + WLAN (NII) + BT (DSS) + RFID (DSS)	Body	Rear Face	0.86	0.28	0	0.10	1.24	Σ SAR < 1.6, Not required
			Left Side	0	1.34	0	0	1.34	Σ SAR < 1.6, Not required
			Right Side	0.04	0.00	0	0	0.04	Σ SAR < 1.6, Not required
			Top Side	0.38	0.40	0	0	0.78	Σ SAR < 1.6, Not required
			Bottom Side	0.4	0.68	0	0	1.08	Σ SAR < 1.6, Not required

FCC SAR Test Report

No.	Conditions (SAR1 + SAR2 + SAR 3 + SAR 4)	Exposure Condition	Test Position	Max. SAR1	Max. SAR2	Max. SAR3	Max. SAR4	SAR Summation	SPLSR Analysis
19	LTE 4 + WLAN (DTS) + BT (DSS) + RFID (DSS)	Body	Rear Face	0.02	0.13	0	0.10	0.25	Σ SAR < 1.6, Not required
			Left Side	0	0.16	0	0	0.16	Σ SAR < 1.6, Not required
			Right Side	0	0.00	0	0	0	Σ SAR < 1.6, Not required
			Top Side	0.98	0.11	0	0	1.09	Σ SAR < 1.6, Not required
			Bottom Side	0.4	0.13	0	0	0.53	Σ SAR < 1.6, Not required
20	LTE 4 + WLAN (NII) + BT (DSS) + RFID (DSS)	Body	Rear Face	0.02	0.28	0	0.10	0.4	Σ SAR < 1.6, Not required
			Left Side	0	1.34	0	0	1.34	Σ SAR < 1.6, Not required
			Right Side	0	0.00	0	0	0	Σ SAR < 1.6, Not required
			Top Side	0.98	0.40	0	0	1.38	Σ SAR < 1.6, Not required
			Bottom Side	0.4	0.68	0	0	1.08	Σ SAR < 1.6, Not required
21	LTE 5 + WLAN (DTS) + BT (DSS) + RFID (DSS)	Body	Rear Face	0	0.13	0	0.10	0.23	Σ SAR < 1.6, Not required
			Left Side	0	0.16	0	0	0.16	Σ SAR < 1.6, Not required
			Right Side	0	0.00	0	0	0	Σ SAR < 1.6, Not required
			Top Side	0.15	0.11	0	0	0.26	Σ SAR < 1.6, Not required
			Bottom Side	0.4	0.13	0	0	0.53	Σ SAR < 1.6, Not required
22	LTE 5 + WLAN (NII) + BT (DSS) + RFID (DSS)	Body	Rear Face	0	0.28	0	0.10	0.38	Σ SAR < 1.6, Not required
			Left Side	0	1.34	0	0	1.34	Σ SAR < 1.6, Not required
			Right Side	0	0.00	0	0	0	Σ SAR < 1.6, Not required
			Top Side	0.15	0.40	0	0	0.55	Σ SAR < 1.6, Not required
			Bottom Side	0.4	0.68	0	0	1.08	Σ SAR < 1.6, Not required

FCC SAR Test Report

No.	Conditions (SAR1 + SAR2 + SAR3 + SAR4)	Exposure Condition	Test Position	Max. SAR1	Max. SAR2	Max. SAR3	Max. SAR4	SAR Summation	SPLSR Analysis
23	LTE 13 + WLAN (DTS) + BT (DSS) + RFID (DSS)	Body	Rear Face	0.22	0.13	0	0.10	0.45	Σ SAR < 1.6, Not required
			Left Side	0	0.16	0	0	0.16	Σ SAR < 1.6, Not required
			Right Side	0	0.00	0	0	0	Σ SAR < 1.6, Not required
			Top Side	0	0.11	0	0	0.11	Σ SAR < 1.6, Not required
			Bottom Side	0.4	0.13	0	0	0.53	Σ SAR < 1.6, Not required
24	LTE 13 + WLAN (NII) + BT (DSS) + RFID (DSS)	Body	Rear Face	0.22	0.28	0	0.10	0.6	Σ SAR < 1.6, Not required
			Left Side	0	1.34	0	0	1.34	Σ SAR < 1.6, Not required
			Right Side	0	0.00	0	0	0	Σ SAR < 1.6, Not required
			Top Side	0	0.40	0	0	0.4	Σ SAR < 1.6, Not required
			Bottom Side	0.4	0.68	0	0	1.08	Σ SAR < 1.6, Not required
25	LTE 17 + WLAN (DTS) + BT (DSS) + RFID (DSS)	Body	Rear Face	0.16	0.13	0	0.10	0.39	Σ SAR < 1.6, Not required
			Left Side	0	0.16	0	0	0.16	Σ SAR < 1.6, Not required
			Right Side	0	0.00	0	0	0	Σ SAR < 1.6, Not required
			Top Side	0.01	0.11	0	0	0.12	Σ SAR < 1.6, Not required
			Bottom Side	0.4	0.13	0	0	0.53	Σ SAR < 1.6, Not required
26	LTE 17 + WLAN (NII) + BT (DSS) + RFID (DSS)	Body	Rear Face	0.16	0.28	0	0.10	0.54	Σ SAR < 1.6, Not required
			Left Side	0	1.34	0	0	1.34	Σ SAR < 1.6, Not required
			Right Side	0	0.00	0	0	0	Σ SAR < 1.6, Not required
			Top Side	0.01	0.40	0	0	0.41	Σ SAR < 1.6, Not required
			Bottom Side	0.4	0.68	0	0	1.08	Σ SAR < 1.6, Not required

FCC SAR Test Report

No.	Conditions (SAR1 + SAR2 + SAR 3 + SAR 4)	Exposure Condition	Test Position	Max. SAR1	Max. SAR2	Max. SAR3	Max. SAR4	SAR Summation	SPLSR Analysis
27	LTE 25 + WLAN (DTS) + BT (DSS) + RFID (DSS)	Body	Rear Face	0.3	0.13	0	0.10	0.53	Σ SAR < 1.6, Not required
			Left Side	0	0.16	0	0	0.16	Σ SAR < 1.6, Not required
			Right Side	0	0.00	0	0	0	Σ SAR < 1.6, Not required
			Top Side	0.92	0.11	0	0	1.03	Σ SAR < 1.6, Not required
			Bottom Side	0.4	0.13	0	0	0.53	Σ SAR < 1.6, Not required
28	LTE 25 + WLAN (NII) + BT (DSS) + RFID (DSS)	Body	Rear Face	0.3	0.28	0	0.10	0.68	Σ SAR < 1.6, Not required
			Left Side	0	1.34	0	0	1.34	Σ SAR < 1.6, Not required
			Right Side	0	0.00	0	0	0	Σ SAR < 1.6, Not required
			Top Side	0.92	0.40	0	0	1.32	Σ SAR < 1.6, Not required
			Bottom Side	0.4	0.68	0	0	1.08	Σ SAR < 1.6, Not required

Test Engineer : Sam Onn, and Sam Onn

5. Calibration of Test Equipment

Equipment	Manufacturer	Model	SN	Cal. Date	Cal. Interval
System Validation Dipole	SPEAG	D750V3	1132	Dec. 11, 2015	1 Year
System Validation Dipole	SPEAG	D835V2	4d120	Jun. 22, 2016	1 Year
System Validation Dipole	SPEAG	D900V2	043	Jun. 27, 2016	1 Year
System Validation Dipole	SPEAG	D1750V2	1023	Jun. 23, 2016	1 Year
System Validation Dipole	SPEAG	D1900V2	5d036	Jan. 22, 2016	1 Year
System Validation Dipole	SPEAG	D2450V2	869	Jun. 21, 2016	1 Year
System Validation Dipole	SPEAG	D5GHzV2	1040	Jun. 17, 2016	1 Year
Dosimetric E-Field Probe	SPEAG	EX3DV4	3650	Jul. 23, 2016	1 Year
Dosimetric E-Field Probe	SPEAG	EX3DV4	3971	Mar. 23, 2016	1 Year
Dosimetric E-Field Probe	SPEAG	ET3DV6	1790	Jun. 24, 2016	1 Year
Data Acquisition Electronics	SPEAG	DAE4	1277	Jul. 22, 2016	1 Year
Data Acquisition Electronics	SPEAG	DAE4	1305	Dec. 11, 2015	1 Year
Data Acquisition Electronics	SPEAG	DAE3	393	Jan. 12, 2016	1 Year
Radio Communication Analyzer	Anritsu	MT8820C	6201381727	May. 04, 2016	1 Year
Universal Radio Communication Tester	R&S	CMW500	152443	Apr. 11, 2016	1 Year
Spectrum Analyzer	R&S	FSL6	102006	Mar. 25, 2016	1 Year
ENA Series Network Analyzer	Agilent	E5071C	MY46214281	Jun. 13, 2016	1 Year
MXG Analog Signal Generator	Agilent	N5181A	MY50143868	Jul. 07, 2016	1 Year
Power Meter	Anritsu	ML2495A	1218009	Jul. 06, 2016	1 Year
Power Sensor	Anritsu	MA2411B	1207252	Jul. 06, 2016	1 Year
Thermometer	YFE	YF-160A	130504579	Aug. 20, 2015	1 Year

6. Measurement Uncertainty

Source of Uncertainty	Tolerance (± %)	Probability Distribution	Divisor	Ci (1g)	Ci (10g)	Standard Uncertainty (± %, 1g)	Standard Uncertainty (± %, 10g)	Vi
Measurement System								
Probe Calibration	6.0	Normal	1	1	1	6.0	6.0	∞
Axial Isotropy	4.7	Rectangular	√3	0.707	0.707	1.9	1.9	∞
Hemispherical Isotropy	9.6	Rectangular	√3	0.707	0.707	3.9	3.9	∞
Boundary Effect	1.0	Rectangular	√3	1	1	0.6	0.6	∞
Linearity	4.7	Rectangular	√3	1	1	2.7	2.7	∞
System Detection Limits	0.25	Rectangular	√3	1	1	0.14	0.14	∞
Readout Electronics	0.3	Normal	1	1	1	0.3	0.3	∞
Response Time	0.0	Rectangular	√3	1	1	0.0	0.0	∞
Integration Time	1.7	Rectangular	√3	1	1	1.0	1.0	∞
RF Ambient Conditions - Noise	3.0	Rectangular	√3	1	1	1.7	1.7	∞
RF Ambient Conditions - Reflections	3.0	Rectangular	√3	1	1	1.7	1.7	∞
Probe Positioner Mechanical Tolerance	0.4	Rectangular	√3	1	1	0.2	0.2	∞
Probe Positioning with Respect to Phantom Shell	2.9	Rectangular	√3	1	1	1.7	1.7	∞
Extrapolation, interpolation, and integration algorithms for max. SAR evaluation	2.0	Rectangular	√3	1	1	1.2	1.2	∞
Test Sample Related								
Test Sample Positioning	1.5 / 0.7	Normal	1	1	1	1.5	0.7	32
Device Holder Uncertainty	4.2 / 1.8	Normal	1	1	1	4.2	1.8	32
Output Power Variation - SAR Drift Measurement	5.0	Rectangular	√3	1	1	2.9	2.9	∞
Phantom and Tissue Parameters								
Phantom Uncertainty (Shape and Thickness Tolerances)	7.2	Rectangular	√3	1	1	4.2	4.2	∞
Liquid Conductivity - Deviation from Target Values	5.0	Rectangular	√3	0.64	0.43	1.8	1.2	∞
Liquid Conductivity - Measurement Uncertainty	1.0	Normal	1	0.64	0.43	0.6	0.4	25
Liquid Permittivity - Deviation from Target Values	5.0	Rectangular	√3	0.60	0.49	1.7	1.4	∞
Liquid Permittivity - Measurement Uncertainty	0.5	Normal	1	0.60	0.49	0.3	0.2	25
Combined Standard Uncertainty						± 11.2 %	± 10.4 %	
Expanded Uncertainty (K=2)						± 22.4 %	± 20.8 %	

Uncertainty budget for frequency range 300 MHz to 3 GHz

FCC SAR Test Report

Source of Uncertainty	Tolerance (± %)	Probability Distribution	Divisor	C _i (1g)	C _i (10g)	Standard Uncertainty (± %, 1g)	Standard Uncertainty (± %, 10g)	V _i
Measurement System								
Probe Calibration	6.55	Normal	1	1	1	6.55	6.55	∞
Axial Isotropy	4.7	Rectangular	√3	0.707	0.707	1.9	1.9	∞
Hemispherical Isotropy	9.6	Rectangular	√3	0.707	0.707	3.9	3.9	∞
Boundary Effect	2.0	Rectangular	√3	1	1	1.2	1.2	∞
Linearity	4.7	Rectangular	√3	1	1	2.7	2.7	∞
System Detection Limits	0.25	Rectangular	√3	1	1	0.14	0.14	∞
Readout Electronics	0.3	Normal	1	1	1	0.3	0.3	∞
Response Time	0.0	Rectangular	√3	1	1	0.0	0.0	∞
Integration Time	1.7	Rectangular	√3	1	1	1.0	1.0	∞
RF Ambient Conditions - Noise	3.0	Rectangular	√3	1	1	1.7	1.7	∞
RF Ambient Conditions - Reflections	3.0	Rectangular	√3	1	1	1.7	1.7	∞
Probe Positioner Mechanical Tolerance	0.4	Rectangular	√3	1	1	0.2	0.2	∞
Probe Positioning with Respect to Phantom Shell	6.7	Rectangular	√3	1	1	3.9	3.9	∞
Extrapolation, interpolation, and integration algorithms for max. SAR evaluation	4.0	Rectangular	√3	1	1	2.3	2.3	∞
Test Sample Related								
Test Sample Positioning	1.5 / 0.7	Normal	1	1	1	1.5	0.7	32
Device Holder Uncertainty	4.2 / 1.8	Normal	1	1	1	4.2	1.8	32
Output Power Variation - SAR Drift Measurement	5.0	Rectangular	√3	1	1	2.9	2.9	∞
Phantom and Tissue Parameters								
Phantom Uncertainty (Shape and Thickness Tolerances)	7.6	Rectangular	√3	1	1	4.4	4.4	∞
Liquid Conductivity - Deviation from Target Values	5.0	Rectangular	√3	0.64	0.43	1.8	1.2	∞
Liquid Conductivity - Measurement Uncertainty	1.0	Normal	1	0.64	0.43	0.6	0.4	25
Liquid Permittivity - Deviation from Target Values	5.0	Rectangular	√3	0.60	0.49	1.7	1.4	∞
Liquid Permittivity - Measurement Uncertainty	0.5	Normal	1	0.60	0.49	0.3	0.2	25
Combined Standard Uncertainty						± 12.3 %	± 11.5 %	
Expanded Uncertainty (K=2)						± 24.6 %	± 23.0 %	

Uncertainty budget for frequency range 3 GHz to 6 GHz

7. Information on the Testing Laboratories

We, Bureau Veritas Consumer Products Services (H.K.) Ltd., Taoyuan Branch, were founded in 1988 to provide our best service in EMC, Radio, Telecom and Safety consultation. Our laboratories are accredited and approved according to ISO/IEC 17025.

If you have any comments, please feel free to contact us at the following:

Taiwan HwaYa EMC/RF/Safety/Telecom Lab:

Add: No. 19, Hwa Ya 2nd Rd, Wen Hwa Vil., Kwei Shan Hsiang, Taoyuan Hsien 333, Taiwan, R.O.C.

Tel: 886-3-318-3232

Fax: 886-3-327-0892

Taiwan LinKo EMC/RF Lab:

Add: No. 47-2, 14th Ling, Chia Pau Vil., Linkou Dist., New Taipei City 244, Taiwan, R.O.C.

Tel: 886-2-2605-2180

Fax: 886-2-2605-1924

Taiwan HsinChu EMC/RF Lab:

Add: No. 81-1, Lu Liao Keng, 9th Ling, Wu Lung Vil., Chiung Lin Township, Hsinchu County 307, Taiwan, R.O.C.

Tel: 886-3-593-5343

Fax: 886-3-593-5342

Email: service.adt@tw.bureauveritas.com

Web Site: www.adt.com.tw

The road map of all our labs can be found in our web site also.

---END---

Appendix A. SAR Plots of System Verification

The plots for system verification with largest deviation for each SAR system combination are shown as follows.

System Check_B750_160830

DUT: Dipole 750 MHz; Type: D750V3; SN: 1132

Communication System: CW; Frequency: 750 MHz; Duty Cycle: 1:1

Medium: B06T09N1_0830 Medium parameters used: $f = 750 \text{ MHz}$; $\sigma = 0.966 \text{ S/m}$; $\epsilon_r = 56.071$; $\rho = 1000 \text{ kg/m}^3$

Ambient Temperature : $23.9 \text{ }^\circ\text{C}$; Liquid Temperature : $23.7 \text{ }^\circ\text{C}$

DASY5 Configuration:

- Probe: ET3DV6 - SN1790; ConvF(6.44, 6.44, 6.44); Calibrated: 2016/06/24;
- Sensor-Surface: 4mm (Mechanical Surface Detection)
- Electronics: DAE4 Sn1277; Calibrated: 2016/07/22
- Phantom: ELI Phantom_1204; Type: QDOVA;
- Measurement SW: DASY52, Version 52.8 (8); SEMCAD X Version 14.6.10 (7373)

Pin=250mW/Area Scan (61x81x1): Interpolated grid: $dx=1.500 \text{ mm}$, $dy=1.500 \text{ mm}$

Maximum value of SAR (interpolated) = 2.63 W/kg

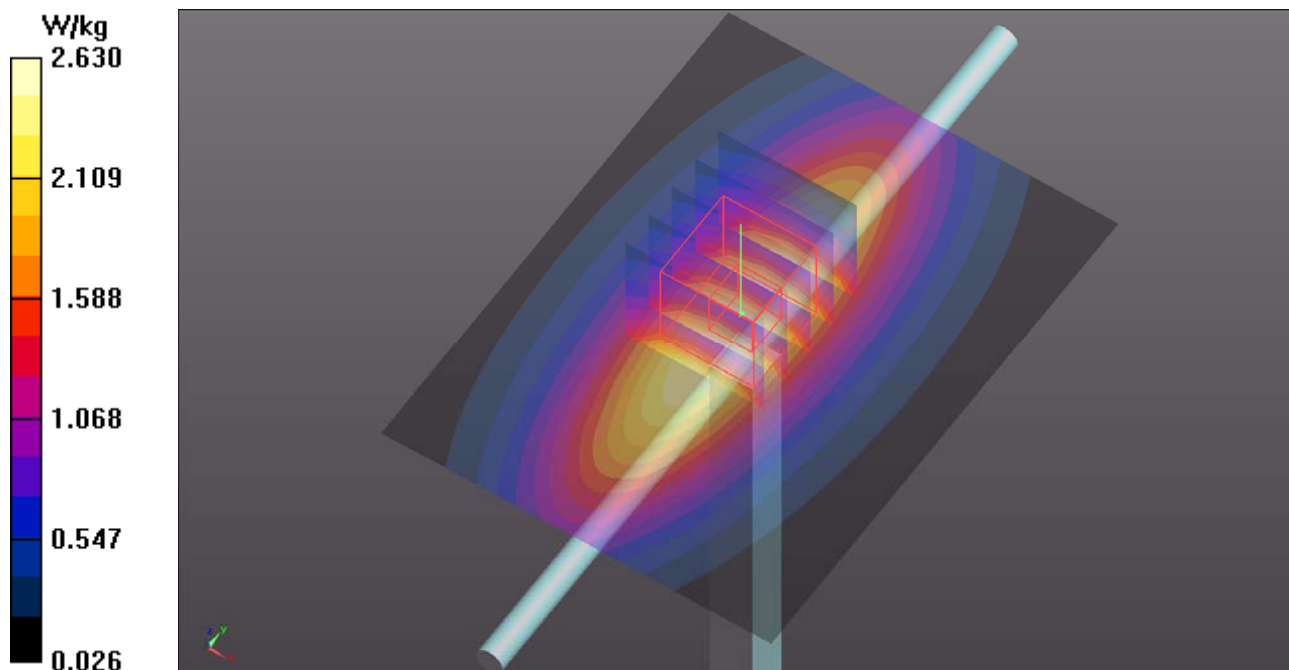
Pin=250mW/Zoom Scan (5x5x7)/Cube 0: Measurement grid: $dx=8\text{mm}$, $dy=8\text{mm}$, $dz=5\text{mm}$

Reference Value = 53.04 V/m ; Power Drift = 0.03 dB

Peak SAR (extrapolated) = 3.06 W/kg

SAR(1 g) = 2.12 W/kg ; SAR(10 g) = 1.43 W/kg

Maximum value of SAR (measured) = 2.65 W/kg



System Check_B835_160906

DUT: Dipole 835 MHz; Type: D835V2; SN: 4d120

Communication System: CW; Frequency: 835 MHz; Duty Cycle: 1:1

Medium: B07T10N3_0906 Medium parameters used: $f = 835 \text{ MHz}$; $\sigma = 1 \text{ S/m}$; $\epsilon_r = 55.299$; $\rho = 1000 \text{ kg/m}^3$

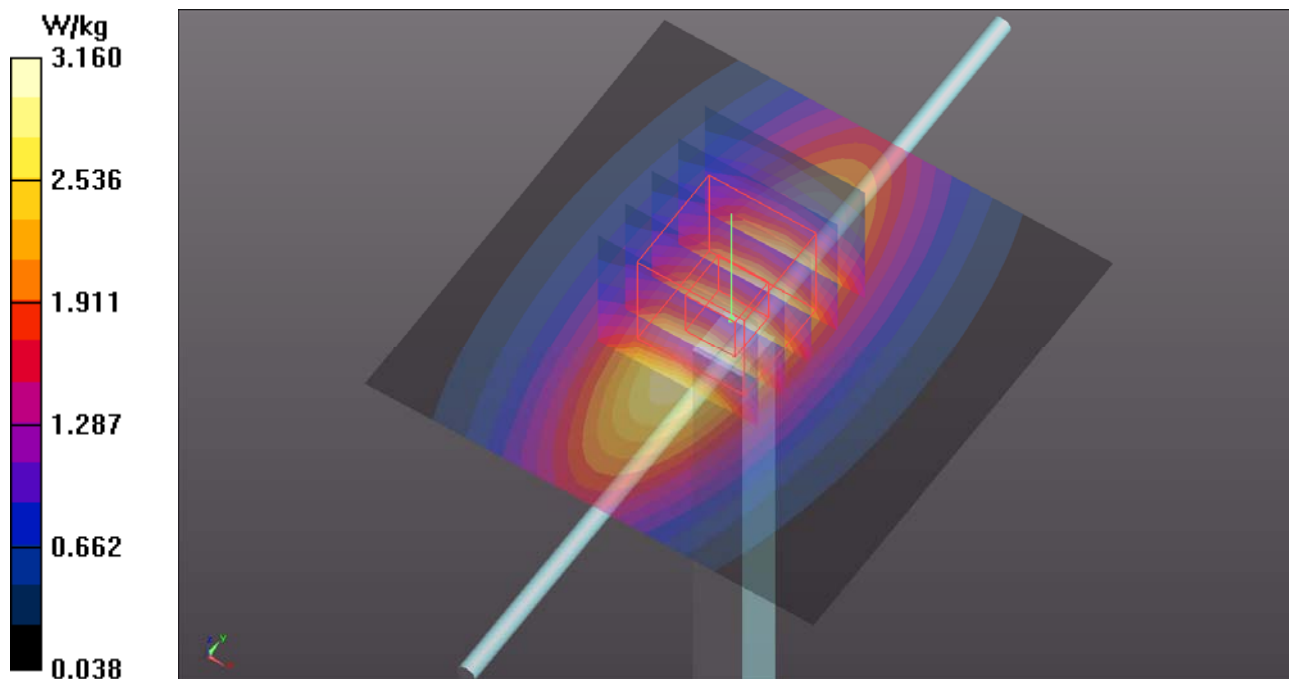
Ambient Temperature : 23.8 °C ; Liquid Temperature : 23.6 °C

DASY5 Configuration:

- Probe: ET3DV6 - SN1790; ConvF(6.37, 6.37, 6.37); Calibrated: 2016/06/24;
- Sensor-Surface: 4mm (Mechanical Surface Detection)
- Electronics: DAE4 Sn1277; Calibrated: 2016/07/22
- Phantom: ELI Phantom_1039; Type: QDOVA;
- Measurement SW: DASY52, Version 52.8 (8); SEMCAD X Version 14.6.10 (7373)

Pin=250mW/Area Scan (61x61x1): Interpolated grid: $dx=1.500 \text{ mm}$, $dy=1.500 \text{ mm}$
Maximum value of SAR (interpolated) = 3.16 W/kg

Pin=250mW/Zoom Scan (5x5x7)/Cube 0: Measurement grid: $dx=8\text{mm}$, $dy=8\text{mm}$, $dz=5\text{mm}$
Reference Value = 54.54 V/m; Power Drift = -0.01 dB
Peak SAR (extrapolated) = 3.63 W/kg
SAR(1 g) = 2.52 W/kg; SAR(10 g) = 1.67 W/kg
Maximum value of SAR (measured) = 3.15 W/kg



System Check_B900_160815

DUT: Dipole 900 MHz; Type: D900V2; SN: 043

Communication System: CW; Frequency: 900 MHz; Duty Cycle: 1:1

Medium: B07T10N2_0815 Medium parameters used: $f = 900 \text{ MHz}$; $\sigma = 1.056 \text{ S/m}$; $\epsilon_r = 54.127$; $\rho = 1000 \text{ kg/m}^3$

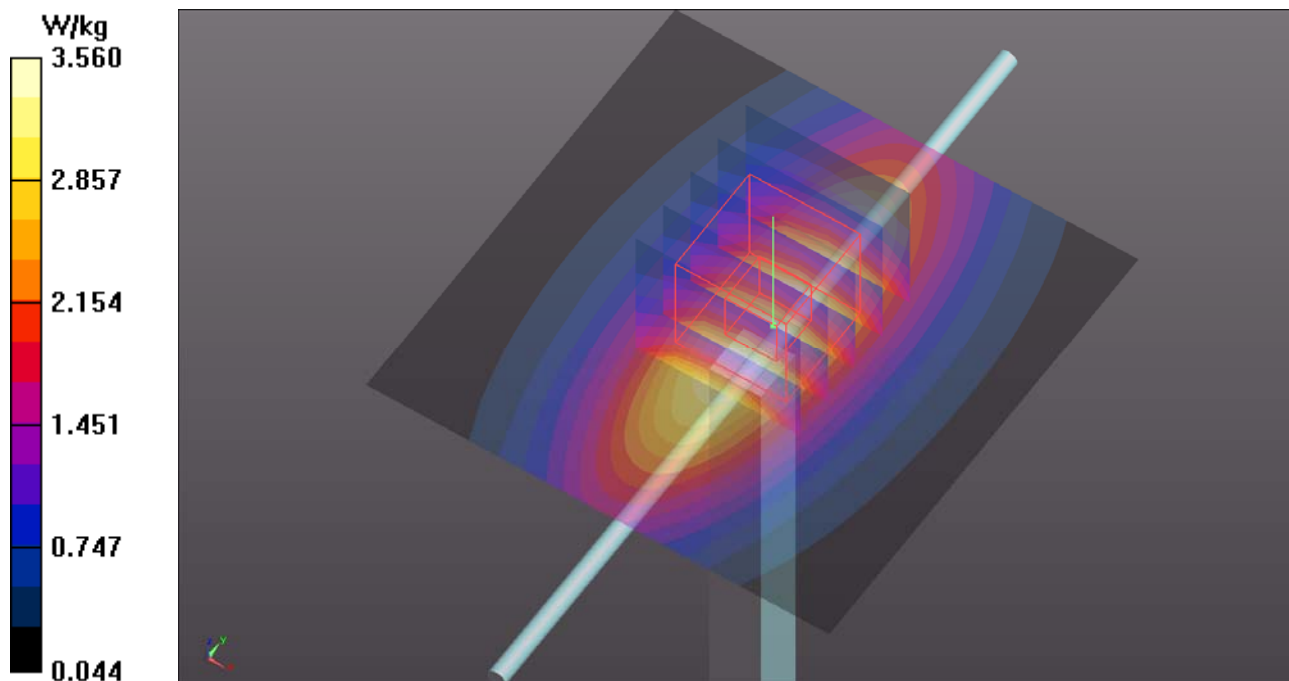
Ambient Temperature : $23.7 \text{ }^\circ\text{C}$; Liquid Temperature : $23.4 \text{ }^\circ\text{C}$

DASY5 Configuration:

- Probe: EX3DV4 - SN7350; ConvF(9.84, 9.84, 9.84); Calibrated: 2015/12/17;
- Sensor-Surface: 1.4mm (Mechanical Surface Detection)
- Electronics: DAE4 Sn1305; Calibrated: 2015/12/11
- Phantom: ELI Phantom_1043; Type: QDOVA;
- Measurement SW: DASY52, Version 52.8 (8); SEMCAD X Version 14.6.10 (7373)

Pin=250mW/Area Scan (61x61x1): Interpolated grid: $dx=1.500 \text{ mm}$, $dy=1.500 \text{ mm}$
Maximum value of SAR (interpolated) = 3.56 W/kg

Pin=250mW/Zoom Scan (5x5x7)/Cube 0: Measurement grid: $dx=8\text{mm}$, $dy=8\text{mm}$, $dz=5\text{mm}$
Reference Value = 53.69 V/m ; Power Drift = -0.10 dB
Peak SAR (extrapolated) = 4.03 W/kg
SAR(1 g) = 2.63 W/kg ; SAR(10 g) = 1.7 W/kg
Maximum value of SAR (measured) = 3.56 W/kg



System Check_B1750_160905

DUT: Dipole 1750 MHz; Type: D1750V2; SN: 1023

Communication System: CW ; Frequency: 1750 MHz;Duty Cycle: 1:1

Medium: B16T20N1_0905 Medium parameters used: $f = 1750$ MHz; $\sigma = 1.437$ S/m; $\epsilon_r = 52.045$; $\rho = 1000$ kg/m³

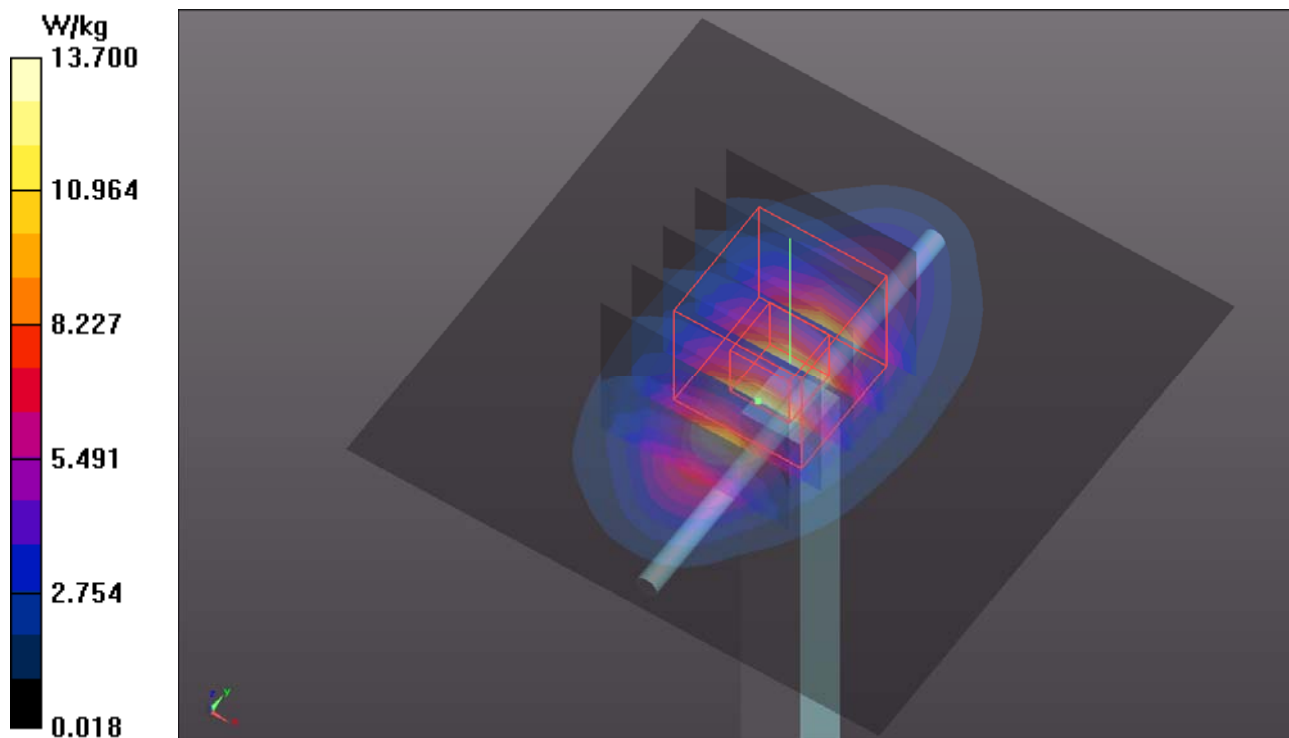
Ambient Temperature : 24.0 °C ; Liquid Temperature : 23.5 °C

DASY5 Configuration:

- Probe: EX3DV4 - SN3971; ConvF(8.08, 8.08, 8.08); Calibrated: 2016/03/23;
- Sensor-Surface: 1.4mm (Mechanical Surface Detection)
- Electronics: DAE3 Sn393; Calibrated: 2016/01/12
- Phantom: ELI Phantom_1206; Type: QDOVA;
- Measurement SW: DASY52, Version 52.8 (8); SEMCAD X Version 14.6.10 (7373)

Pin=250mW/Area Scan (61x61x1): Interpolated grid: dx=1.500 mm, dy=1.500 mm
Maximum value of SAR (interpolated) = 13.7 W/kg

Pin=250mW/Zoom Scan (5x5x7)/Cube 0: Measurement grid: dx=8mm, dy=8mm, dz=5mm
Reference Value = 97.28 V/m; Power Drift = 0.03 dB
Peak SAR (extrapolated) = 16.5 W/kg
SAR(1 g) = 9.48 W/kg; SAR(10 g) = 5.12 W/kg
Maximum value of SAR (measured) = 13.2 W/kg



System Check_B1900_160826

DUT: Dipole 1900 MHz; Type: D1900V2; SN: 5d036

Communication System: CW; Frequency: 1900 MHz; Duty Cycle: 1:1

Medium: B16T20N1_0826 Medium parameters used: $f = 1900$ MHz; $\sigma = 1.554$ S/m; $\epsilon_r = 51.475$; $\rho = 1000$ kg/m³

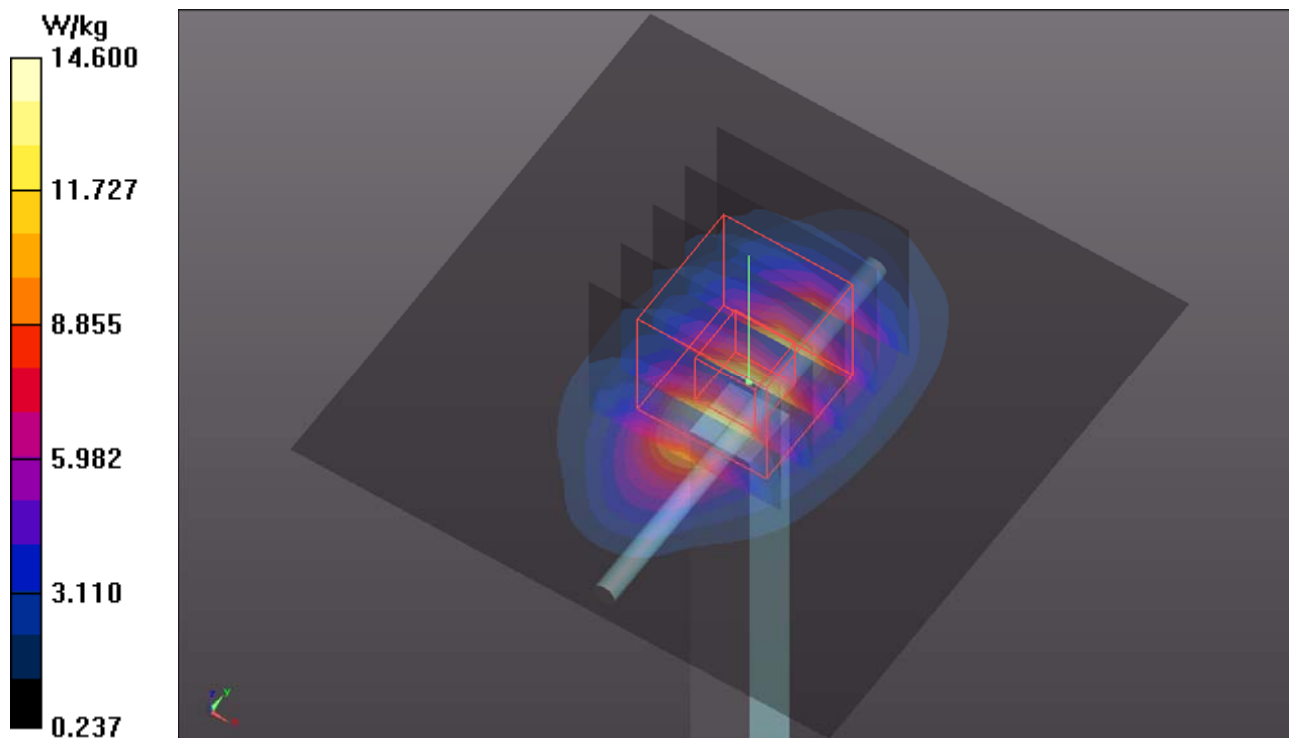
Ambient Temperature : 23.8 °C ; Liquid Temperature : 23.3 °C

DASY5 Configuration:

- Probe: EX3DV4 - SN7350; ConvF(8.04, 8.04, 8.04); Calibrated: 2015/12/17;
- Sensor-Surface: 1.4mm (Mechanical Surface Detection)
- Electronics: DAE4 Sn1305; Calibrated: 2015/12/11
- Phantom: ELI Phantom_1245; Type: QDOVA;
- Measurement SW: DASY52, Version 52.8 (8); SEMCAD X Version 14.6.10 (7373)

Pin=250mW/Area Scan (61x61x1): Interpolated grid: dx=1.500 mm, dy=1.500 mm
Maximum value of SAR (interpolated) = 14.6 W/kg

Pin=250mW/Zoom Scan (5x5x7)/Cube 0: Measurement grid: dx=8mm, dy=8mm, dz=5mm
Reference Value = 99.83 V/m; Power Drift = -0.04 dB
Peak SAR (extrapolated) = 17.2 W/kg
SAR(1 g) = 9.51 W/kg; SAR(10 g) = 4.94 W/kg
Maximum value of SAR (measured) = 14.6 W/kg



System Check_B2450_160817

DUT: Dipole 2450 MHz; Type: D2450V2; SN: 869

Communication System: CW; Frequency: 2450 MHz; Duty Cycle: 1:1

Medium: B19T27N2_0817 Medium parameters used: $f = 2450$ MHz; $\sigma = 2.026$ S/m; $\epsilon_r = 51.708$; $\rho = 1000$ kg/m³

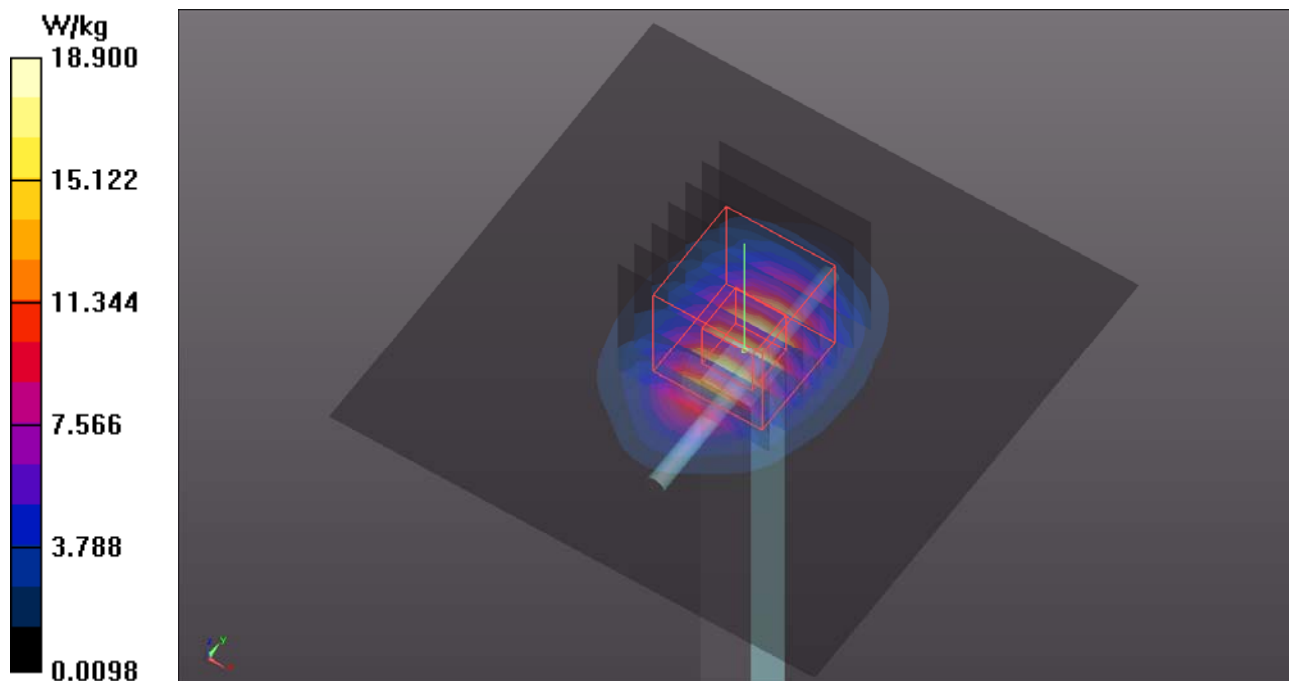
Ambient Temperature : 23.7 °C ; Liquid Temperature : 23.2 °C

DASY5 Configuration:

- Probe: EX3DV4 - SN7350; ConvF(7.49, 7.49, 7.49); Calibrated: 2015/12/17;
- Sensor-Surface: 1.4mm (Mechanical Surface Detection)
- Electronics: DAE4 Sn1305; Calibrated: 2015/12/11
- Phantom: ELI Phantom_1043; Type: QDOVA;
- Measurement SW: DASY52, Version 52.8 (8); SEMCAD X Version 14.6.10 (7373)

Pin=250mW/Area Scan (81x81x1): Interpolated grid: dx=1.200 mm, dy=1.200 mm
Maximum value of SAR (interpolated) = 18.9 W/kg

Pin=250mW/Zoom Scan (7x7x7)/Cube 0: Measurement grid: dx=5mm, dy=5mm, dz=5mm
Reference Value = 98.23 V/m; Power Drift = -0.10 dB
Peak SAR (extrapolated) = 25.5 W/kg
SAR(1 g) = 12.3 W/kg; SAR(10 g) = 5.69 W/kg
Maximum value of SAR (measured) = 19.0 W/kg



System Check_B5300_160906

DUT: Dipole 5 GHz; Type: D5GHzV2; SN: 1040

Communication System: CW; Frequency: 5300 MHz; Duty Cycle: 1:1

Medium: B34T60N1_0906 Medium parameters used: $f = 5300$ MHz; $\sigma = 5.484$ S/m; $\epsilon_r = 47.547$; $\rho = 1000$ kg/m³

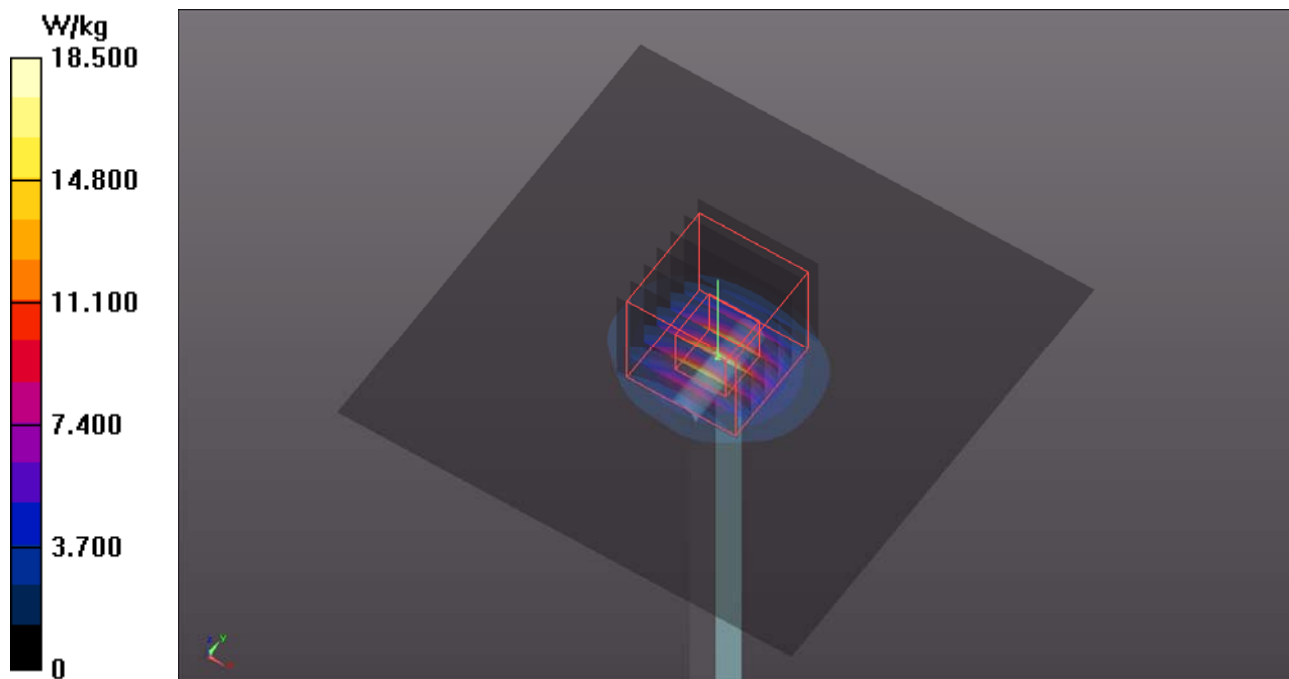
Ambient Temperature : 24.0 °C ; Liquid Temperature : 23.5 °C

DASY5 Configuration:

- Probe: EX3DV4 - SN3971; ConvF(4.26, 4.26, 4.26); Calibrated: 2016/03/23;
- Sensor-Surface: 1.4mm (Mechanical Surface Detection)
- Electronics: DAE3 Sn393; Calibrated: 2016/01/12
- Phantom: ELI Phantom_1039; Type: QDOVA;
- Measurement SW: DASY52, Version 52.8 (8); SEMCAD X Version 14.6.10 (7373)

Pin=100mW/Area Scan (91x91x1): Interpolated grid: dx=1.000 mm, dy=1.000 mm
Maximum value of SAR (interpolated) = 18.5 W/kg

Pin=100mW/Zoom Scan (7x7x12)/Cube 0: Measurement grid: dx=4mm, dy=4mm, dz=2mm
Reference Value = 59.91 V/m; Power Drift = 0.06 dB
Peak SAR (extrapolated) = 33.3 W/kg
SAR(1 g) = 8.22 W/kg; SAR(10 g) = 2.33 W/kg
Maximum value of SAR (measured) = 20.4 W/kg



System Check_B5600_160906

DUT: Dipole 5 GHz; Type: D5GHzV2; SN: 1040

Communication System: CW; Frequency: 5600 MHz; Duty Cycle: 1:1

Medium: B34T60N1_0906 Medium parameters used: $f = 5600$ MHz; $\sigma = 5.922$ S/m; $\epsilon_r = 47.005$; $\rho = 1000$ kg/m³

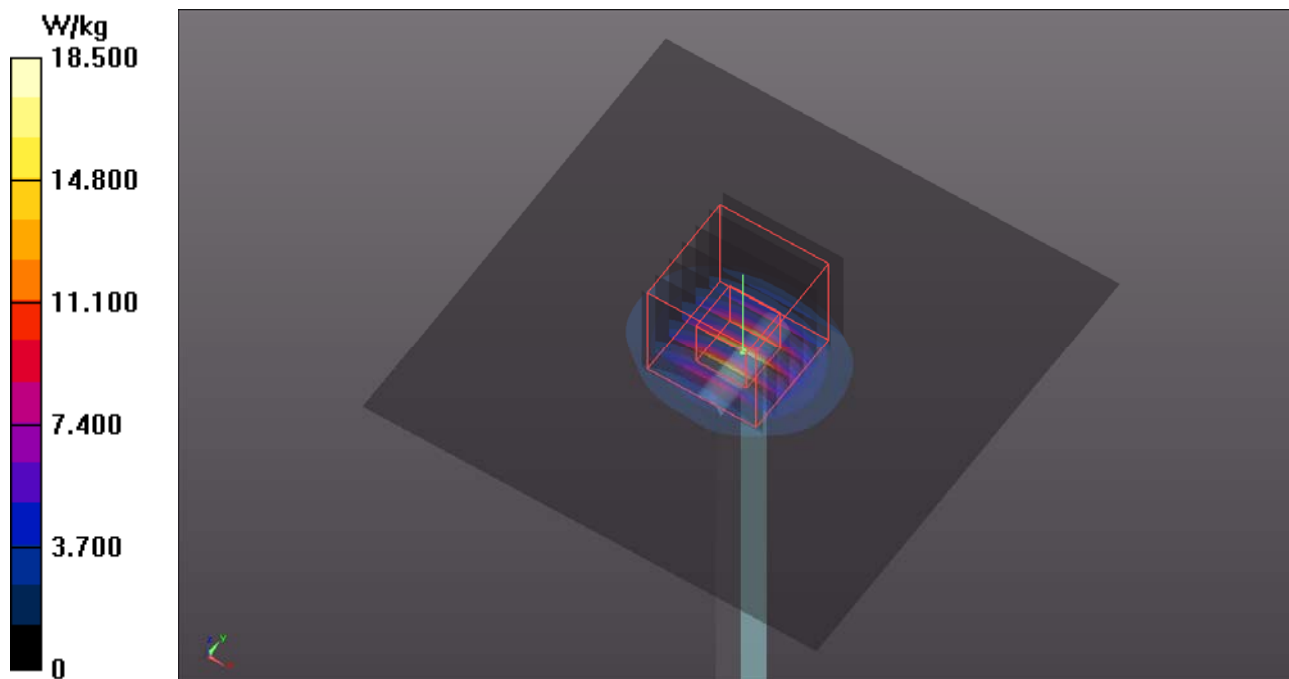
Ambient Temperature : 24.0 °C ; Liquid Temperature : 23.5 °C

DASY5 Configuration:

- Probe: EX3DV4 - SN3971; ConvF(3.68, 3.68, 3.68); Calibrated: 2016/03/23;
- Sensor-Surface: 1.4mm (Mechanical Surface Detection)
- Electronics: DAE3 Sn393; Calibrated: 2016/01/12
- Phantom: ELI Phantom_1039; Type: QDOVA;
- Measurement SW: DASY52, Version 52.8 (8); SEMCAD X Version 14.6.10 (7373)

Pin=100mW/Area Scan (91x91x1): Interpolated grid: dx=1.000 mm, dy=1.000 mm
Maximum value of SAR (interpolated) = 18.5 W/kg

Pin=100mW/Zoom Scan (7x7x12)/Cube 0: Measurement grid: dx=4mm, dy=4mm, dz=2mm
Reference Value = 58.52 V/m; Power Drift = -0.03 dB
Peak SAR (extrapolated) = 32.6 W/kg
SAR(1 g) = 7.74 W/kg; SAR(10 g) = 2.18 W/kg
Maximum value of SAR (measured) = 19.6 W/kg



System Check_B5800_160906

DUT: Dipole 5 GHz; Type: D5GHzV2; SN: 1040

Communication System: CW ; Frequency: 5800 MHz; Duty Cycle: 1:1

Medium: B34T60N1_0906 Medium parameters used: $f = 5800$ MHz; $\sigma = 6.211$ S/m; $\epsilon_r = 46.61$; $\rho = 1000$ kg/m³

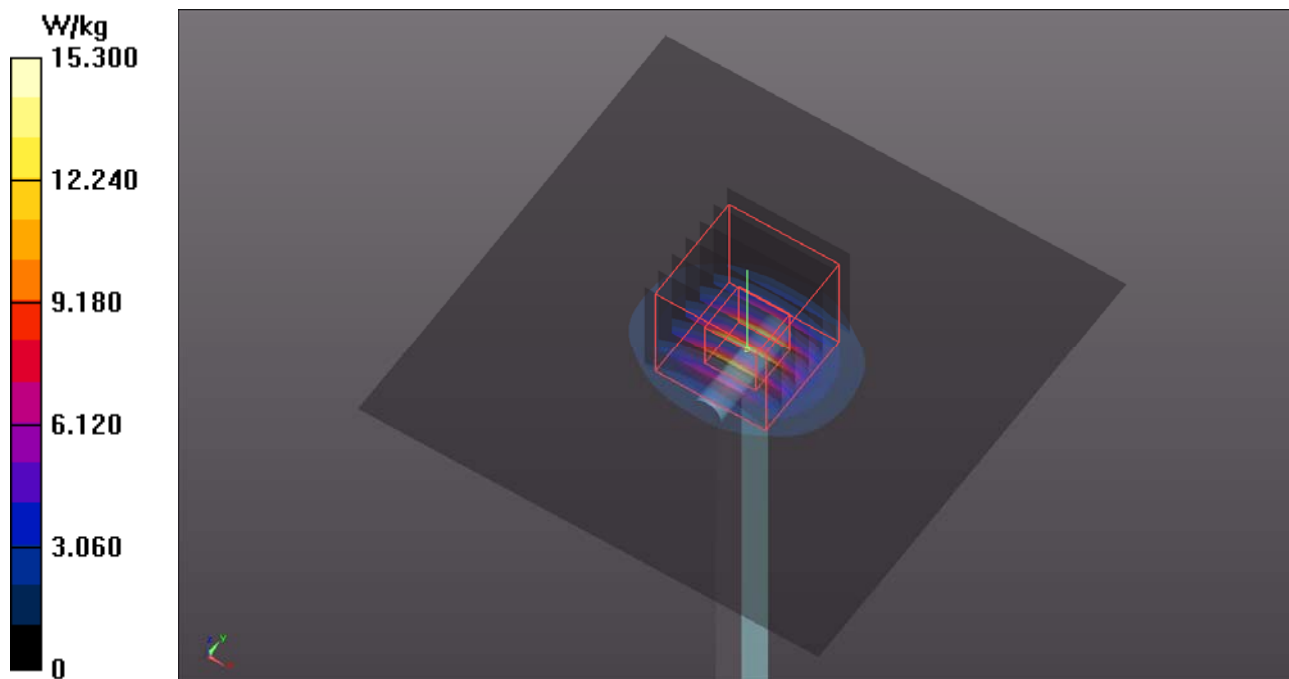
Ambient Temperature : 24.0 °C ; Liquid Temperature : 23.5 °C

DASY5 Configuration:

- Probe: EX3DV4 - SN3971; ConvF(3.9, 3.9, 3.9); Calibrated: 2016/03/23;
- Sensor-Surface: 1.4mm (Mechanical Surface Detection)
- Electronics: DAE3 Sn393; Calibrated: 2016/01/12
- Phantom: ELI Phantom_1039; Type: QDOVA;
- Measurement SW: DASY52, Version 52.8 (8); SEMCAD X Version 14.6.10 (7373)

Pin=100mW/Area Scan (91x91x1): Interpolated grid: dx=1.000 mm, dy=1.000 mm
Maximum value of SAR (interpolated) = 15.3 W/kg

Pin=100mW/Zoom Scan (7x7x12)/Cube 0: Measurement grid: dx=4mm, dy=4mm, dz=2mm
Reference Value = 56.90 V/m; Power Drift = -0.02 dB
Peak SAR (extrapolated) = 33.1 W/kg
SAR(1 g) = 7.63 W/kg; SAR(10 g) = 2.14 W/kg
Maximum value of SAR (measured) = 16.5 W/kg



Appendix B. SAR Plots of SAR Measurement

The SAR plots for highest measured SAR in each exposure configuration, wireless mode and frequency band combination, and measured SAR > 1.5 W/kg are shown as follows.

P01 UHF RFID_Rear Face_0cm_902.75MHz_Sample A

DUT: 160718C45

Communication System: RFID; Frequency: 902.75 MHz; Duty Cycle: 1:1

Medium: B07T10N2_0815 Medium parameters used: $f = 903 \text{ MHz}$; $\sigma = 1.059 \text{ S/m}$; $\epsilon_r = 54.096$; $\rho = 1000 \text{ kg/m}^3$

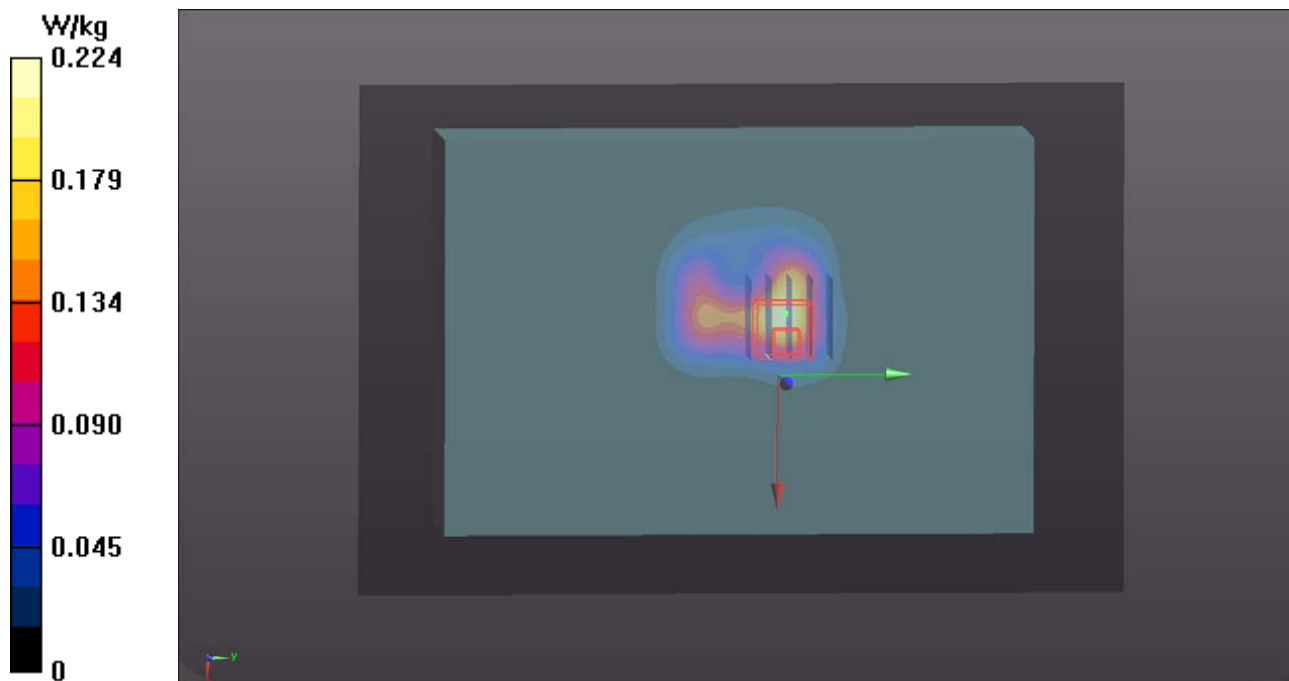
Ambient Temperature : 23.7 °C ; Liquid Temperature : 23.4 °C

DASY5 Configuration:

- Probe: EX3DV4 - SN7350; ConvF(9.84, 9.84, 9.84); Calibrated: 2015/12/17;
- Sensor-Surface: 1.4mm (Mechanical Surface Detection)
- Electronics: DAE4 Sn1305; Calibrated: 2015/12/11
- Phantom: ELI Phantom_1043; Type: QDOVA;
- Measurement SW: DASY52, Version 52.8 (8); SEMCAD X Version 14.6.10 (7373)

- **Area Scan (141x201x1):** Interpolated grid: $dx=1.500 \text{ mm}$, $dy=1.500 \text{ mm}$
Maximum value of SAR (interpolated) = 0.224 W/kg

- **Zoom Scan (5x5x7)/Cube 0:** Measurement grid: $dx=8\text{mm}$, $dy=8\text{mm}$, $dz=5\text{mm}$
Reference Value = 9.531 V/m; Power Drift = -0.16 dB
Peak SAR (extrapolated) = 0.162 W/kg
SAR(1 g) = 0.095 W/kg; SAR(10 g) = 0.058 W/kg
Maximum value of SAR (measured) = 0.132 W/kg



P02 GSM850_GPRS10_Rear Face_0cm_Ch128_Sample C_RS500_w

DUT: 160718C45

Communication System: GPRS10; Frequency: 824.2 MHz; Duty Cycle: 1:4

Medium: B07T10N3_0906 Medium parameters used: $f = 824.2$ MHz; $\sigma = 0.99$ S/m; $\epsilon_r = 55.404$; $\rho = 1000$ kg/m³

Ambient Temperature : 23.8 °C ; Liquid Temperature : 23.6 °C

DASY5 Configuration:

- Probe: ET3DV6 - SN1790; ConvF(6.37, 6.37, 6.37); Calibrated: 2016/06/24;
- Sensor-Surface: 4mm (Mechanical Surface Detection)
- Electronics: DAE4 Sn1277; Calibrated: 2016/07/22
- Phantom: ELI Phantom_1039; Type: QDOVA;
- Measurement SW: DASY52, Version 52.8 (8); SEMCAD X Version 14.6.10 (7373)

- **Area Scan (141x191x1):** Interpolated grid: dx=1.500 mm, dy=1.500 mm

Maximum value of SAR (interpolated) = 0.0377 W/kg

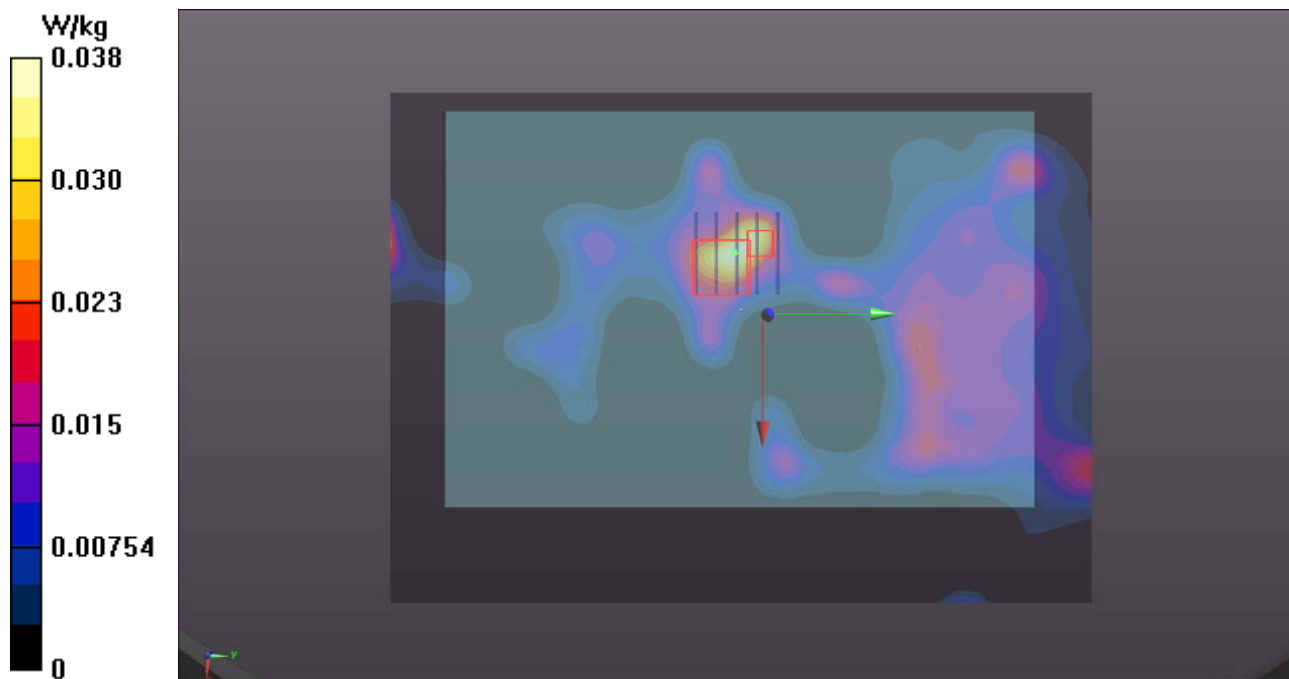
- **Zoom Scan (5x5x7)/Cube 0:** Measurement grid: dx=8mm, dy=8mm, dz=5mm

Reference Value = 2.588 V/m; Power Drift = 0.04 dB

Peak SAR (extrapolated) = 0.0930 W/kg

SAR(1 g) = 0.029 W/kg; SAR(10 g) = 0.013 W/kg

Maximum value of SAR (measured) = 0.0329 W/kg



P03 GSM1900_GPRS10_Top Side_0cm_Ch661_Sample C_RS500_w

DUT: 160718C45

Communication System: GPRS10; Frequency: 1880 MHz; Duty Cycle: 1:4

Medium: B16T20N1_0902 Medium parameters used: $f = 1880$ MHz; $\sigma = 1.564$ S/m; $\epsilon_r = 51.656$; $\rho = 1000$ kg/m³

Ambient Temperature : 23.8 °C ; Liquid Temperature : 23.3 °C

DASY5 Configuration:

- Probe: EX3DV4 - SN7350; ConvF(8.04, 8.04, 8.04); Calibrated: 2015/12/17;
- Sensor-Surface: 1.4mm (Mechanical Surface Detection)
- Electronics: DAE4 Sn1305; Calibrated: 2015/12/11
- Phantom: ELI Phantom_1245; Type: QDOVA;
- Measurement SW: DASY52, Version 52.8 (8); SEMCAD X Version 14.6.10 (7373)

- **Area Scan (51x191x1):** Interpolated grid: dx=1.500 mm, dy=1.500 mm

Maximum value of SAR (interpolated) = 0.857 W/kg

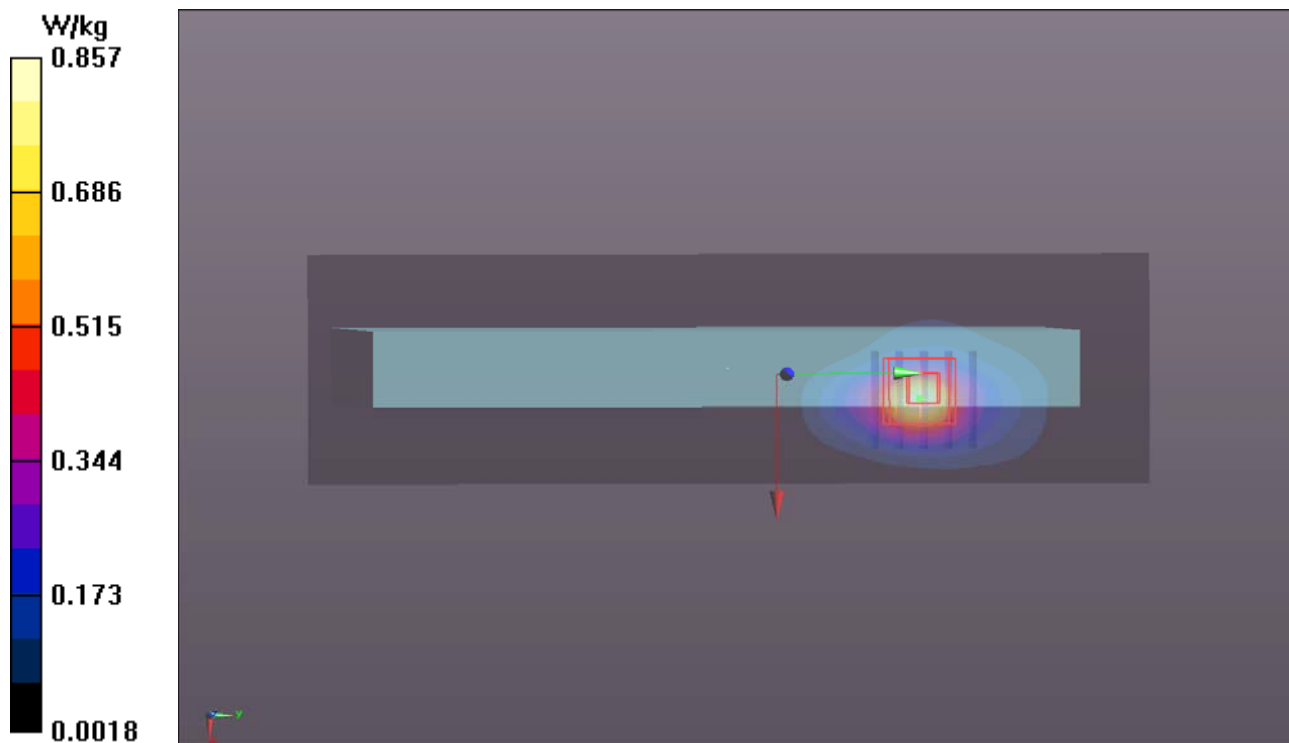
- **Zoom Scan (5x5x7)/Cube 0:** Measurement grid: dx=8mm, dy=8mm, dz=5mm

Reference Value = 4.338 V/m; Power Drift = -0.02 dB

Peak SAR (extrapolated) = 1.35 W/kg

SAR(1 g) = 0.788 W/kg; SAR(10 g) = 0.409 W/kg

Maximum value of SAR (measured) = 1.01 W/kg



P04 WCDMA II_RMC12.2K_Rear Face_0cm_Ch9262_Sample C_RS500_w

DUT: 160718C45

Communication System: WCDMA; Frequency: 1852.4 MHz; Duty Cycle: 1:1

Medium: B16T20N1_0905 Medium parameters used: $f = 1852.4$ MHz; $\sigma = 1.539$ S/m; $\epsilon_r = 51.751$; ρ

$= 1000$ kg/m³

Ambient Temperature : 24.0 °C ; Liquid Temperature : 23.5 °C

DASY5 Configuration:

- Probe: EX3DV4 - SN3971; ConvF(7.85, 7.85, 7.85); Calibrated: 2016/03/23;
- Sensor-Surface: 1.4mm (Mechanical Surface Detection)
- Electronics: DAE3 Sn393; Calibrated: 2016/01/12
- Phantom: ELI Phantom_1206; Type: QDOVA;
- Measurement SW: DASY52, Version 52.8 (8); SEMCAD X Version 14.6.10 (7373)

- **Area Scan (141x191x1):** Interpolated grid: dx=1.500 mm, dy=1.500 mm

Maximum value of SAR (interpolated) = 0.0447 W/kg

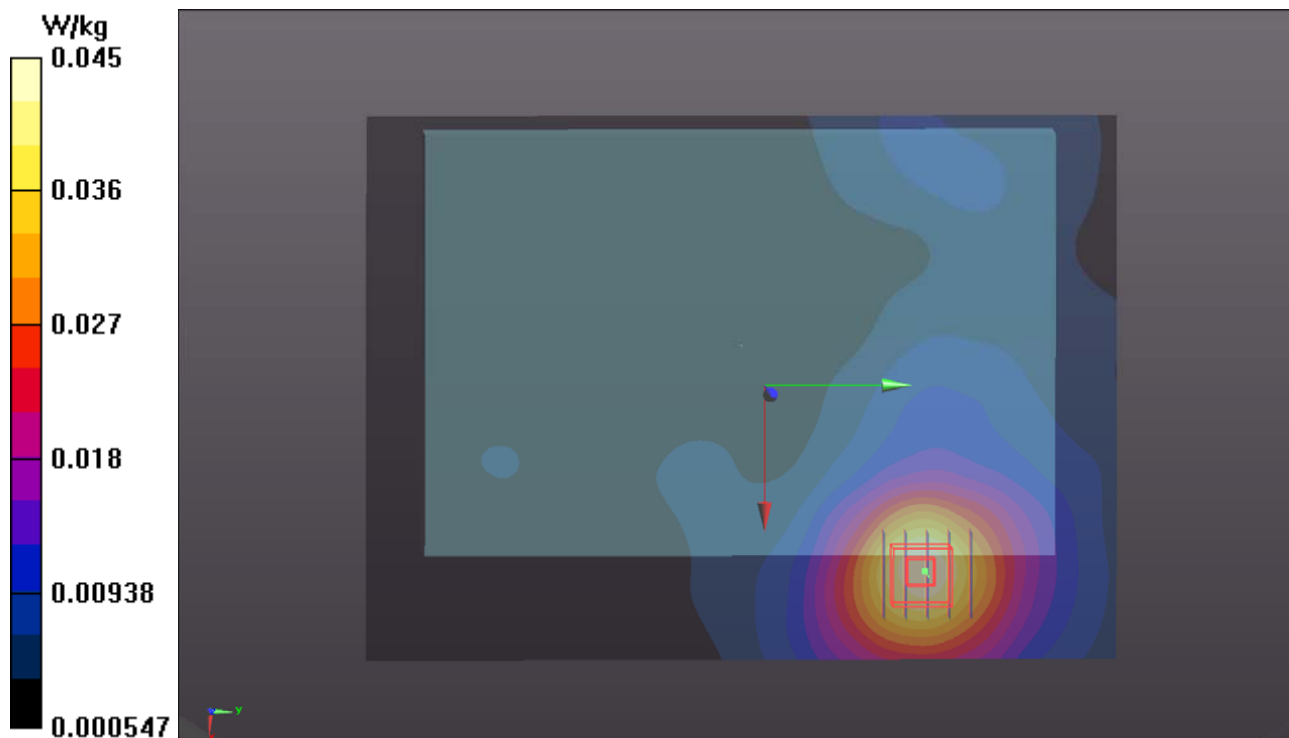
- **Zoom Scan (5x5x7)/Cube 0:** Measurement grid: dx=8mm, dy=8mm, dz=5mm

Reference Value = 0.8450 V/m; Power Drift = 0.00 dB

Peak SAR (extrapolated) = 0.0510 W/kg

SAR(1 g) = 0.034 W/kg; SAR(10 g) = 0.023 W/kg

Maximum value of SAR (measured) = 0.0451 W/kg



P05 WCDMA IV_RMC12.2K_Top Side_0cm_Ch1413_Sample C_RS500_w

DUT: 160718C45

Communication System: WCDMA; Frequency: 1732.6 MHz; Duty Cycle: 1:1

Medium: B16T20N1_0905 Medium parameters used: $f = 1733$ MHz; $\sigma = 1.42$ S/m; $\epsilon_r = 52.096$; $\rho = 1000$ kg/m³

Ambient Temperature : 24.0 °C ; Liquid Temperature : 23.5 °C

DASY5 Configuration:

- Probe: EX3DV4 - SN3971; ConvF(8.08, 8.08, 8.08); Calibrated: 2016/03/23;
- Sensor-Surface: 1.4mm (Mechanical Surface Detection)
- Electronics: DAE3 Sn393; Calibrated: 2016/01/12
- Phantom: ELI Phantom_1206; Type: QDOVA;
- Measurement SW: DASY52, Version 52.8 (8); SEMCAD X Version 14.6.10 (7373)

- **Area Scan (51x191x1):** Interpolated grid: dx=1.500 mm, dy=1.500 mm

Maximum value of SAR (interpolated) = 0.776 W/kg

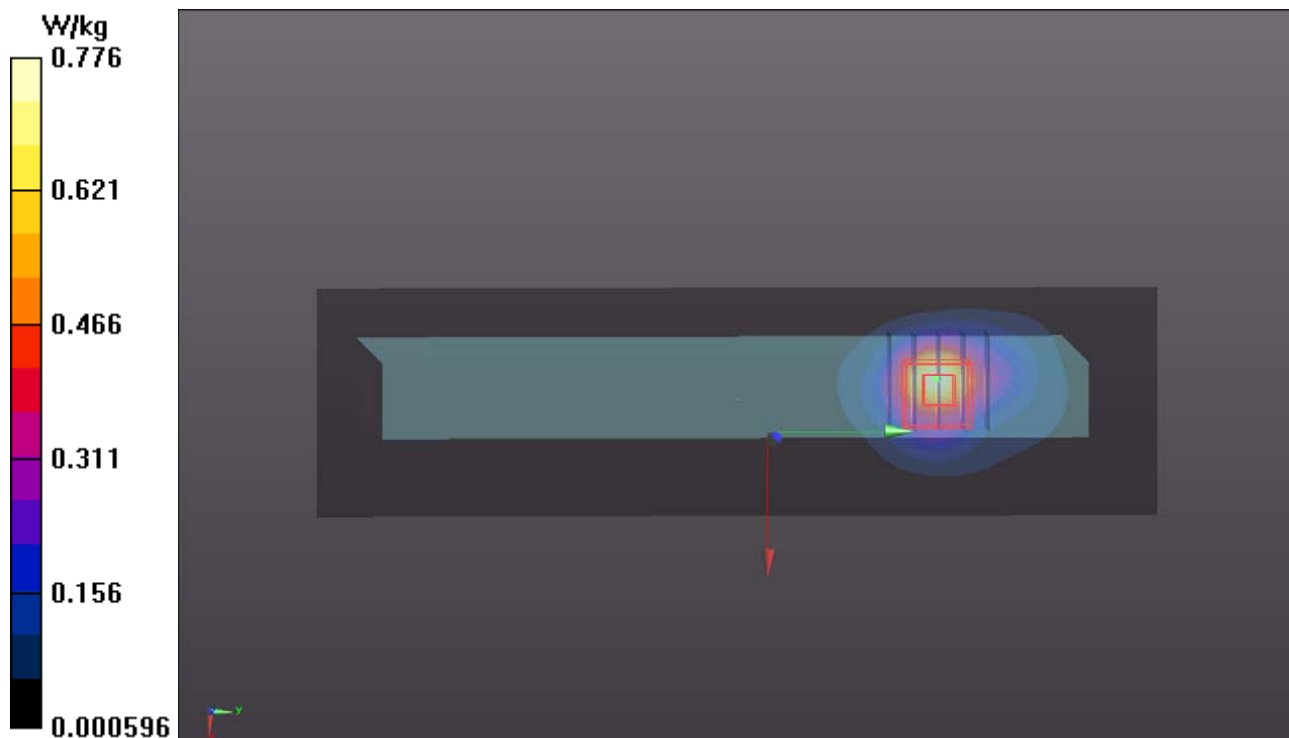
- **Zoom Scan (5x5x7)/Cube 0:** Measurement grid: dx=8mm, dy=8mm, dz=5mm

Reference Value = 3.482 V/m; Power Drift = -0.01 dB

Peak SAR (extrapolated) = 1.66 W/kg

SAR(1 g) = 0.934 W/kg; SAR(10 g) = 0.481 W/kg

Maximum value of SAR (measured) = 1.20 W/kg



P06 WCDMA V_RMC12.2K_Rear Face_0cm_Ch4182_Sample C_RS500_w

DUT: 160718C45

Communication System: WCDMA; Frequency: 836.4 MHz; Duty Cycle: 1:1

Medium: B07T10N3_0906 Medium parameters used: $f = 836.4 \text{ MHz}$; $\sigma = 1.001 \text{ S/m}$; $\epsilon_r = 55.284$; $\rho = 1000 \text{ kg/m}^3$

Ambient Temperature : $23.8 \text{ }^\circ\text{C}$; Liquid Temperature : $23.6 \text{ }^\circ\text{C}$

DASY5 Configuration:

- Probe: ET3DV6 - SN1790; ConvF(6.37, 6.37, 6.37); Calibrated: 2016/06/24;
- Sensor-Surface: 4mm (Mechanical Surface Detection)
- Electronics: DAE4 Sn1277; Calibrated: 2016/07/22
- Phantom: ELI Phantom_1039; Type: QDOVA;
- Measurement SW: DASY52, Version 52.8 (8); SEMCAD X Version 14.6.10 (7373)

- **Area Scan (141x191x1)**: Interpolated grid: $dx=1.500 \text{ mm}$, $dy=1.500 \text{ mm}$

Maximum value of SAR (interpolated) = 0.0416 W/kg

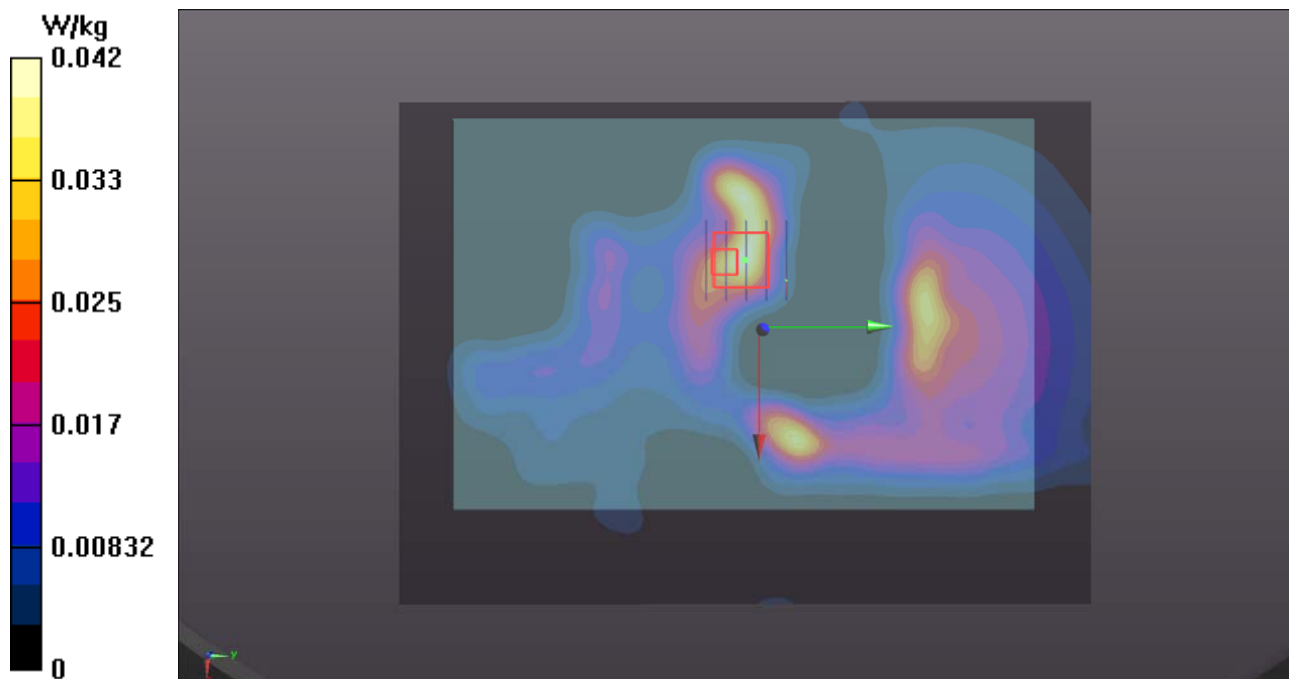
- **Zoom Scan (5x5x7)/Cube 0**: Measurement grid: $dx=8\text{mm}$, $dy=8\text{mm}$, $dz=5\text{mm}$

Reference Value = 1.228 V/m ; Power Drift = 0.05 dB

Peak SAR (extrapolated) = 0.111 W/kg

SAR(1 g) = 0.038 W/kg ; SAR(10 g) = 0.015 W/kg

Maximum value of SAR (measured) = 0.0582 W/kg



P07 CDMA2000 BC0_RTAP153.6_Rear Face_0cm_Ch1013_Sample C_RS500_w

DUT: 160718C45

Communication System: CDMA2000; Frequency: 824.7 MHz; Duty Cycle: 1:1

Medium: B07T10N3_0906 Medium parameters used: $f = 825 \text{ MHz}$; $\sigma = 0.991 \text{ S/m}$; $\epsilon_r = 55.395$; $\rho = 1000 \text{ kg/m}^3$

Ambient Temperature : $23.8 \text{ }^\circ\text{C}$; Liquid Temperature : $23.6 \text{ }^\circ\text{C}$

DASY5 Configuration:

- Probe: ET3DV6 - SN1790; ConvF(6.37, 6.37, 6.37); Calibrated: 2016/06/24;
- Sensor-Surface: 4mm (Mechanical Surface Detection)
- Electronics: DAE4 Sn1277; Calibrated: 2016/07/22
- Phantom: ELI Phantom_1039; Type: QDOVA;
- Measurement SW: DASY52, Version 52.8 (8); SEMCAD X Version 14.6.10 (7373)

- **Area Scan (141x191x1):** Interpolated grid: $dx=1.500 \text{ mm}$, $dy=1.500 \text{ mm}$

Maximum value of SAR (interpolated) = 0.0965 W/kg

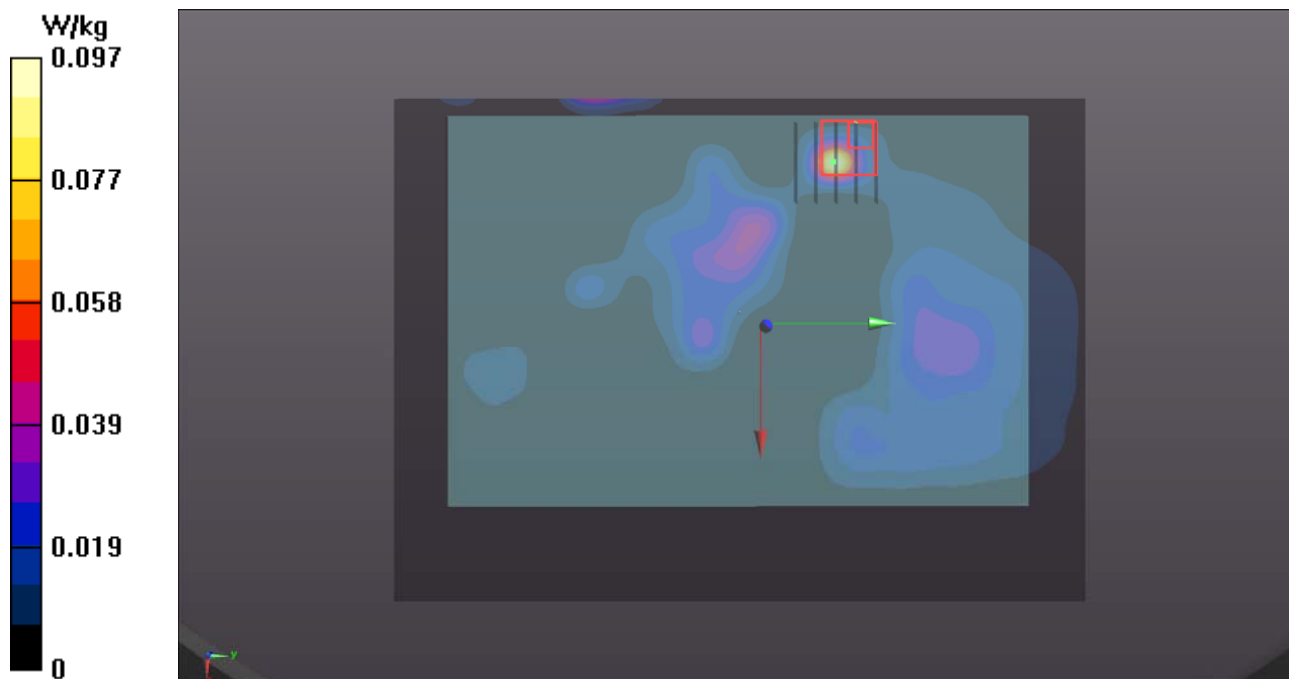
- **Zoom Scan (5x5x7)/Cube 0:** Measurement grid: $dx=8\text{mm}$, $dy=8\text{mm}$, $dz=5\text{mm}$

Reference Value = 2.521 V/m ; Power Drift = 0.02 dB

Peak SAR (extrapolated) = 0.0320 W/kg

SAR(1 g) = 0.00394 W/kg ; SAR(10 g) = 0.0012 W/kg

Maximum value of SAR (measured) = 0.0317 W/kg



P08 CDMA2000 BC1_RTAP153.6_Rear Face_0cm_Ch25_Sample C_RS500_w

DUT: 160718C45

Communication System: CDMA2000; Frequency: 1851.25 MHz; Duty Cycle: 1:1

Medium: B16T20N1_0906 Medium parameters used: $f = 1851.25$ MHz; $\sigma = 1.534$ S/m; $\epsilon_r = 53.008$;

$\rho = 1000$ kg/m³

Ambient Temperature : 23.8 °C ; Liquid Temperature : 23.5 °C

DASY5 Configuration:

- Probe: ET3DV6 - SN1790; ConvF(4.74, 4.74, 4.74); Calibrated: 2016/06/24;
- Sensor-Surface: 4mm (Mechanical Surface Detection)
- Electronics: DAE4 Sn1277; Calibrated: 2016/07/22
- Phantom: ELI Phantom_1039; Type: QDOVA;
- Measurement SW: DASY52, Version 52.8 (8); SEMCAD X Version 14.6.10 (7373)

- **Area Scan (151x191x1):** Interpolated grid: dx=1.500 mm, dy=1.500 mm

Maximum value of SAR (interpolated) = 0.125 W/kg

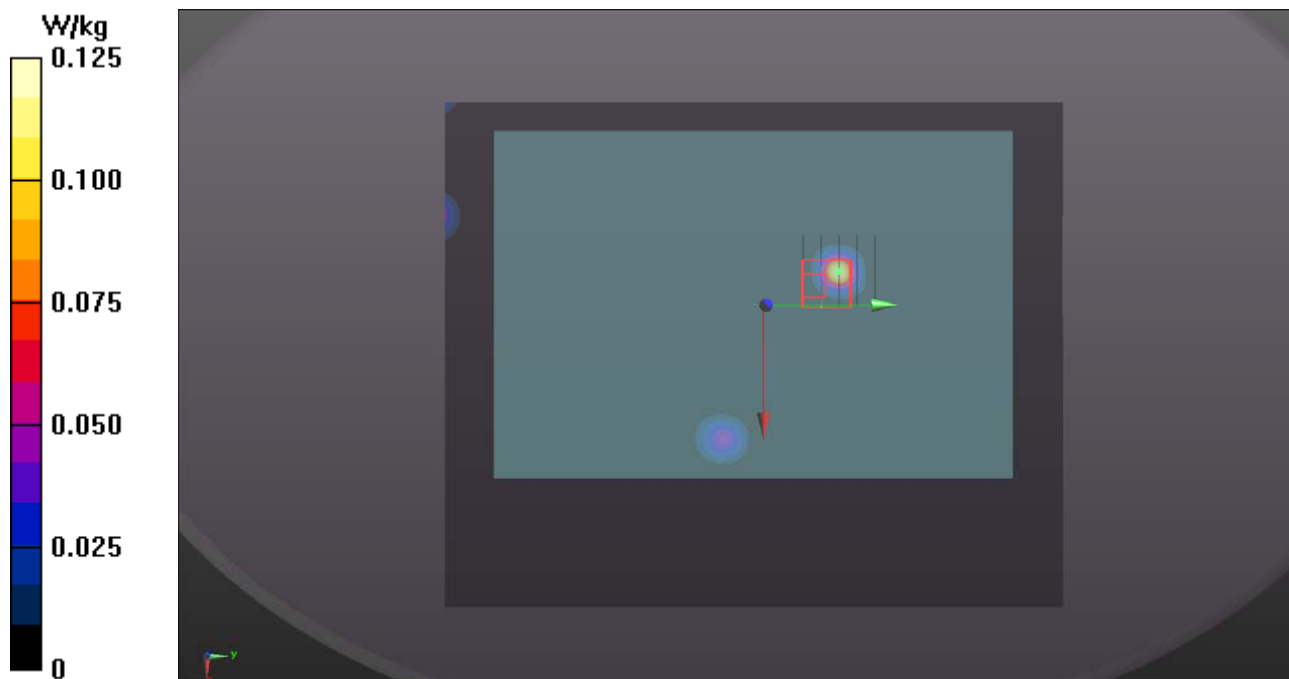
- **Zoom Scan (5x5x7)/Cube 0:** Measurement grid: dx=8mm, dy=8mm, dz=5mm

Reference Value = 1.129 V/m; Power Drift = -0.02 dB

Peak SAR (extrapolated) = 0.668 W/kg

SAR(1 g) = 0.030 W/kg; SAR(10 g) = 0.0068 W/kg

Maximum value of SAR (measured) = 0.668 W/kg



P09 CDMA2000 BC10_RTAP153.6_Rear Face_0cm_Ch476_Sample C_RS500_w

DUT: 160718C45

Communication System: CDMA2000; Frequency: 817.9 MHz; Duty Cycle: 1:1

Medium: B07T10N3_0906 Medium parameters used: $f = 818 \text{ MHz}$; $\sigma = 0.984 \text{ S/m}$; $\epsilon_r = 55.471$; $\rho = 1000 \text{ kg/m}^3$

Ambient Temperature : $23.8 \text{ }^\circ\text{C}$; Liquid Temperature : $23.6 \text{ }^\circ\text{C}$

DASY5 Configuration:

- Probe: ET3DV6 - SN1790; ConvF(6.37, 6.37, 6.37); Calibrated: 2016/06/24;
- Sensor-Surface: 4mm (Mechanical Surface Detection)
- Electronics: DAE4 Sn1277; Calibrated: 2016/07/22
- Phantom: ELI Phantom_1039; Type: QDOVA;
- Measurement SW: DASY52, Version 52.8 (8); SEMCAD X Version 14.6.10 (7373)

- **Area Scan (141x191x1)**: Interpolated grid: $dx=1.500 \text{ mm}$, $dy=1.500 \text{ mm}$

Maximum value of SAR (interpolated) = 0.0377 W/kg

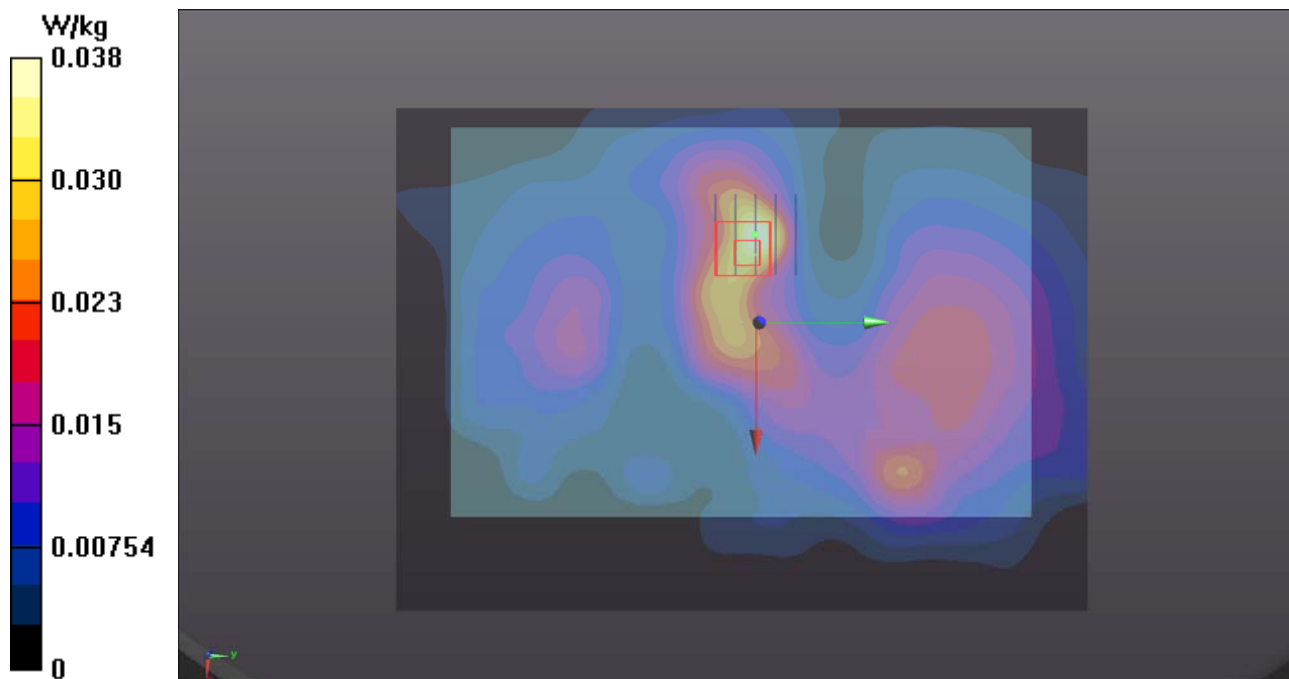
- **Zoom Scan (5x5x7)/Cube 0**: Measurement grid: $dx=8\text{mm}$, $dy=8\text{mm}$, $dz=5\text{mm}$

Reference Value = 3.470 V/m ; Power Drift = 0.13 dB

Peak SAR (extrapolated) = 0.0730 W/kg

SAR(1 g) = 0.038 W/kg ; SAR(10 g) = 0.018 W/kg

Maximum value of SAR (measured) = 0.0455 W/kg



P10 LTE 2_QPSK20M_Rear Face_0cm_Ch18700_Sample C_RS500_w_1RB_OS50

DUT: 160718C45

Communication System: LTE; Frequency: 1860 MHz; Duty Cycle: 1:1

Medium: B16T20N1_0905 Medium parameters used: $f = 1860$ MHz; $\sigma = 1.547$ S/m; $\epsilon_r = 51.729$; $\rho = 1000$ kg/m³

Ambient Temperature : 24.0 °C ; Liquid Temperature : 23.5 °C

DASY5 Configuration:

- Probe: EX3DV4 - SN3971; ConvF(7.85, 7.85, 7.85); Calibrated: 2016/03/23;
- Sensor-Surface: 1.4mm (Mechanical Surface Detection)
- Electronics: DAE3 Sn393; Calibrated: 2016/01/12
- Phantom: ELI Phantom_1206; Type: QDOVA;
- Measurement SW: DASY52, Version 52.8 (8); SEMCAD X Version 14.6.10 (7373)

- **Area Scan (141x191x1):** Interpolated grid: dx=1.500 mm, dy=1.500 mm

Maximum value of SAR (interpolated) = 0.0441 W/kg

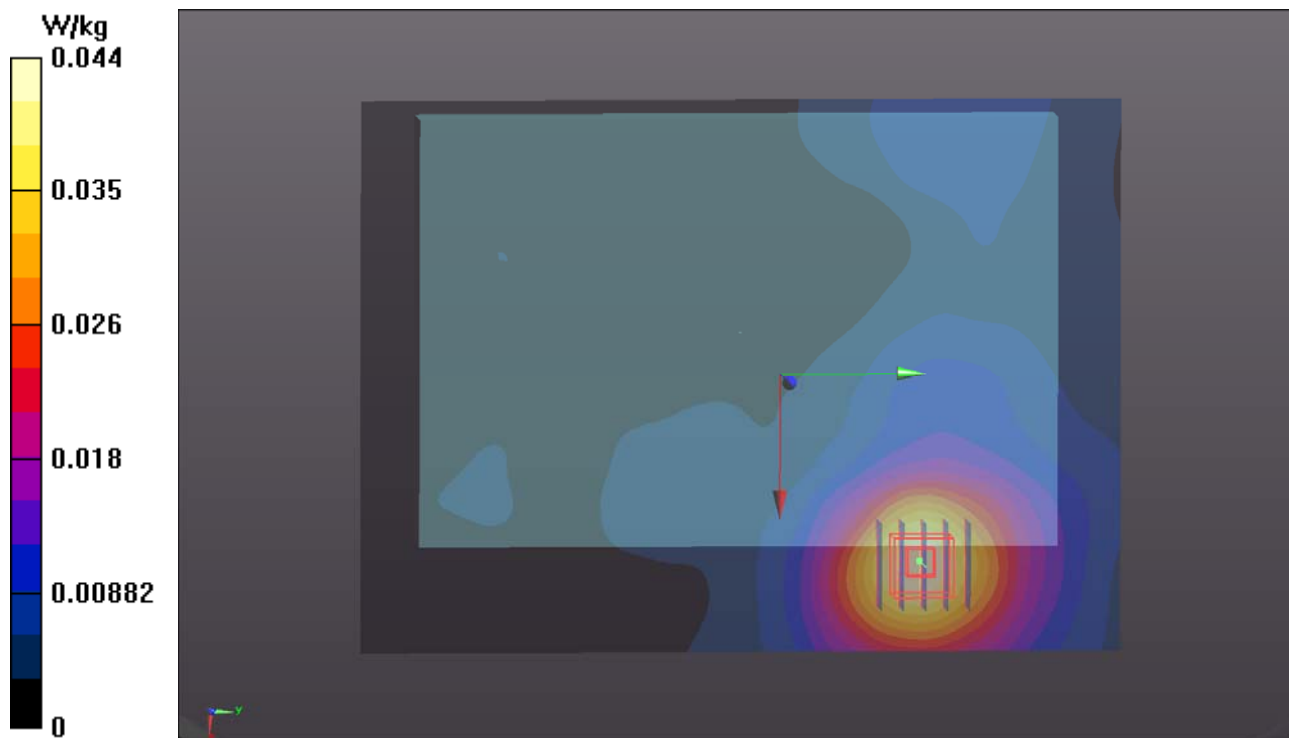
- **Zoom Scan (5x5x7)/Cube 0:** Measurement grid: dx=8mm, dy=8mm, dz=5mm

Reference Value = 1.162 V/m; Power Drift = 0.09 dB

Peak SAR (extrapolated) = 0.0510 W/kg

SAR(1 g) = 0.034 W/kg; SAR(10 g) = 0.023 W/kg

Maximum value of SAR (measured) = 0.0444 W/kg



P11 LTE 4_QPSK20M_Top Side_0cm_Ch20050_Sample C_RS500_w_1RB_OS99

DUT: 160718C45

Communication System: LTE; Frequency: 1720 MHz; Duty Cycle: 1:1

Medium: B16T20N1_0905 Medium parameters used: $f = 1720$ MHz; $\sigma = 1.407$ S/m; $\epsilon_r = 52.141$; $\rho = 1000$ kg/m³

Ambient Temperature : 24.0 °C ; Liquid Temperature : 23.5 °C

DASY5 Configuration:

- Probe: EX3DV4 - SN3971; ConvF(8.08, 8.08, 8.08); Calibrated: 2016/03/23;
- Sensor-Surface: 1.4mm (Mechanical Surface Detection)
- Electronics: DAE3 Sn393; Calibrated: 2016/01/12
- Phantom: ELI Phantom_1206; Type: QDOVA;
- Measurement SW: DASY52, Version 52.8 (8); SEMCAD X Version 14.6.10 (7373)

- **Area Scan (51x191x1):** Interpolated grid: dx=1.500 mm, dy=1.500 mm

Maximum value of SAR (interpolated) = 0.853 W/kg

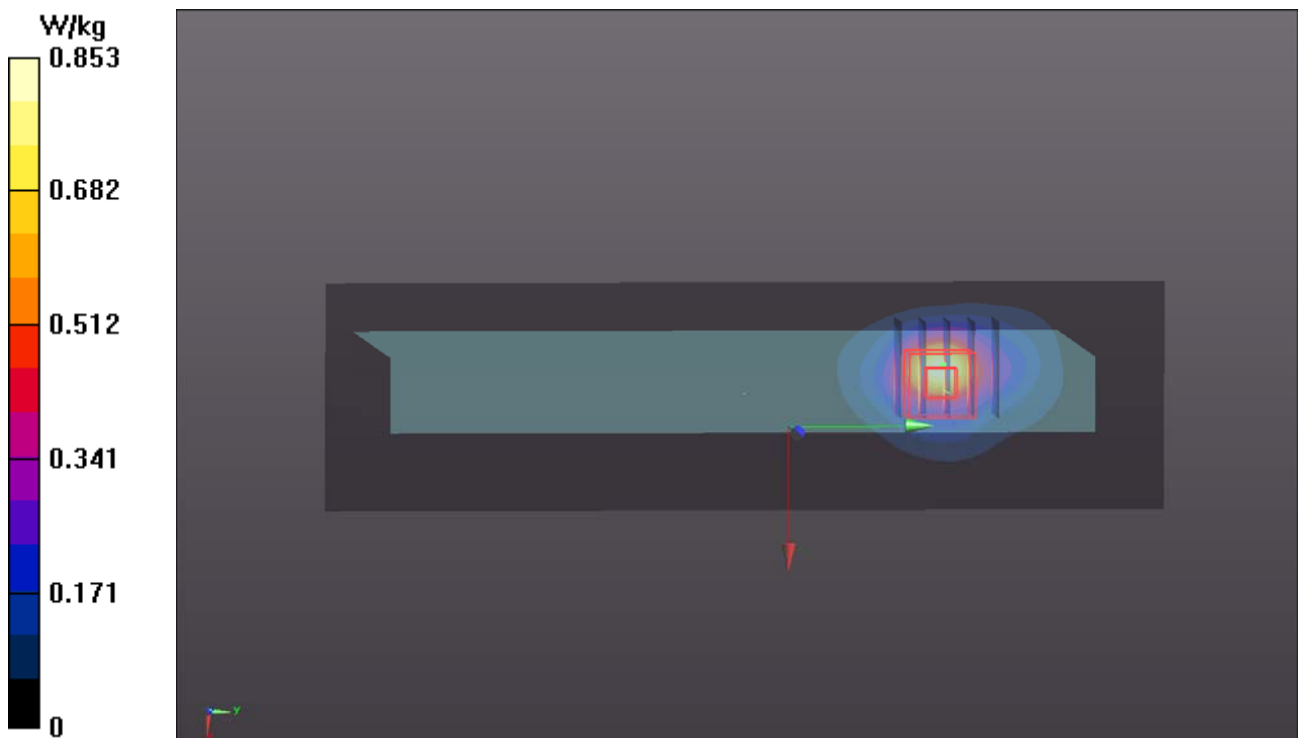
- **Zoom Scan (5x5x7)/Cube 0:** Measurement grid: dx=8mm, dy=8mm, dz=5mm

Reference Value = 2.563 V/m; Power Drift = 0.08 dB

Peak SAR (extrapolated) = 1.59 W/kg

SAR(1 g) = 0.898 W/kg; SAR(10 g) = 0.462 W/kg

Maximum value of SAR (measured) = 1.23 W/kg



P12 LTE 5_QPSK10M_Top Side_0cm_Ch20525_Sample C_RS500_w_1RB_OS24

DUT: 160718C45

Communication System: LTE; Frequency: 836.5 MHz; Duty Cycle: 1:1

Medium: B07T10N3_0906 Medium parameters used: $f = 836.5$ MHz; $\sigma = 1.002$ S/m; $\epsilon_r = 55.283$; $\rho = 1000$ kg/m³

Ambient Temperature : 23.8 °C ; Liquid Temperature : 23.6 °C

DASY5 Configuration:

- Probe: ET3DV6 - SN1790; ConvF(6.37, 6.37, 6.37); Calibrated: 2016/06/24;
- Sensor-Surface: 4mm (Mechanical Surface Detection)
- Electronics: DAE4 Sn1277; Calibrated: 2016/07/22
- Phantom: ELI Phantom_1039; Type: QDOVA;
- Measurement SW: DASY52, Version 52.8 (8); SEMCAD X Version 14.6.10 (7373)

- **Area Scan (41x171x1):** Interpolated grid: dx=1.500 mm, dy=1.500 mm

Maximum value of SAR (interpolated) = 0.153 W/kg

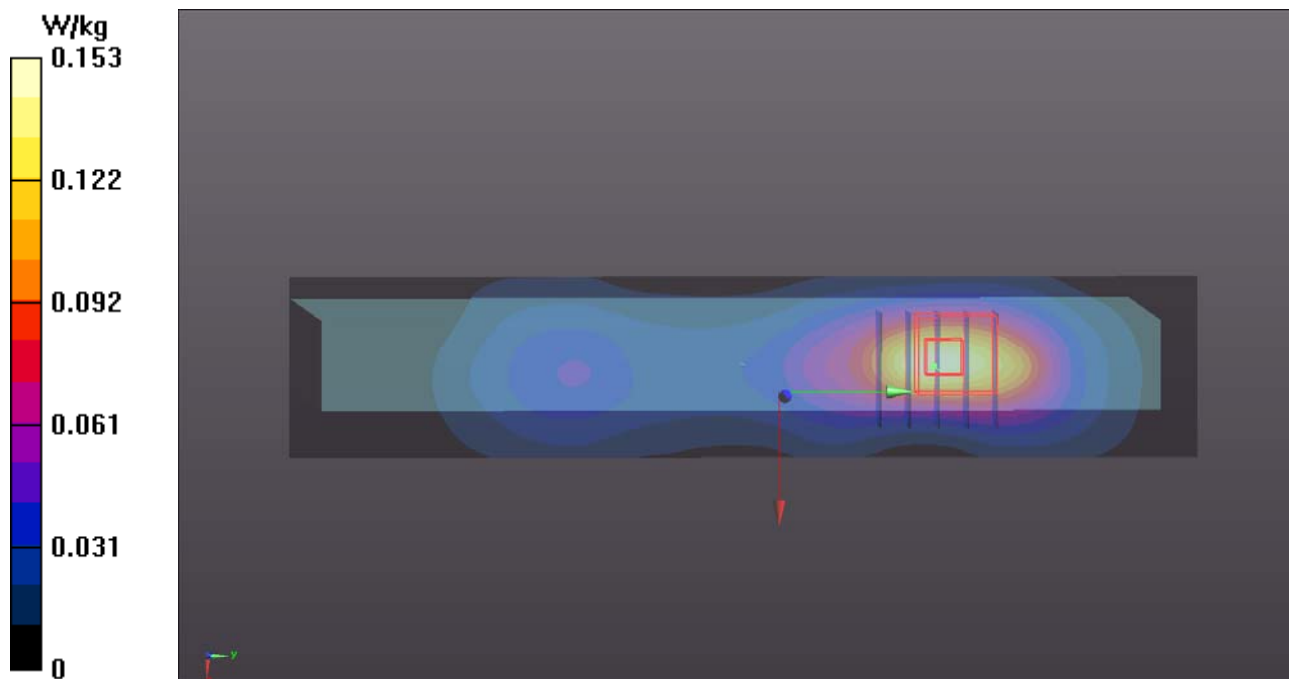
- **Zoom Scan (5x5x7)/Cube 0:** Measurement grid: dx=8mm, dy=8mm, dz=5mm

Reference Value = 5.806 V/m; Power Drift = 0.04 dB

Peak SAR (extrapolated) = 0.245 W/kg

SAR(1 g) = 0.140 W/kg; SAR(10 g) = 0.077 W/kg

Maximum value of SAR (measured) = 0.161 W/kg



P13 LTE 13_QPSK10M_Rear Face_0cm_Ch23230_Sample C_RS500_w_1RB_OS24

DUT: 160718C45

Communication System: LTE ; Frequency: 782 MHz;Duty Cycle: 1:1

Medium: B06T09N1_0906 Medium parameters used: $f = 782 \text{ MHz}$; $\sigma = 1.022 \text{ S/m}$; $\epsilon_r = 54.697$; $\rho = 1000 \text{ kg/m}^3$

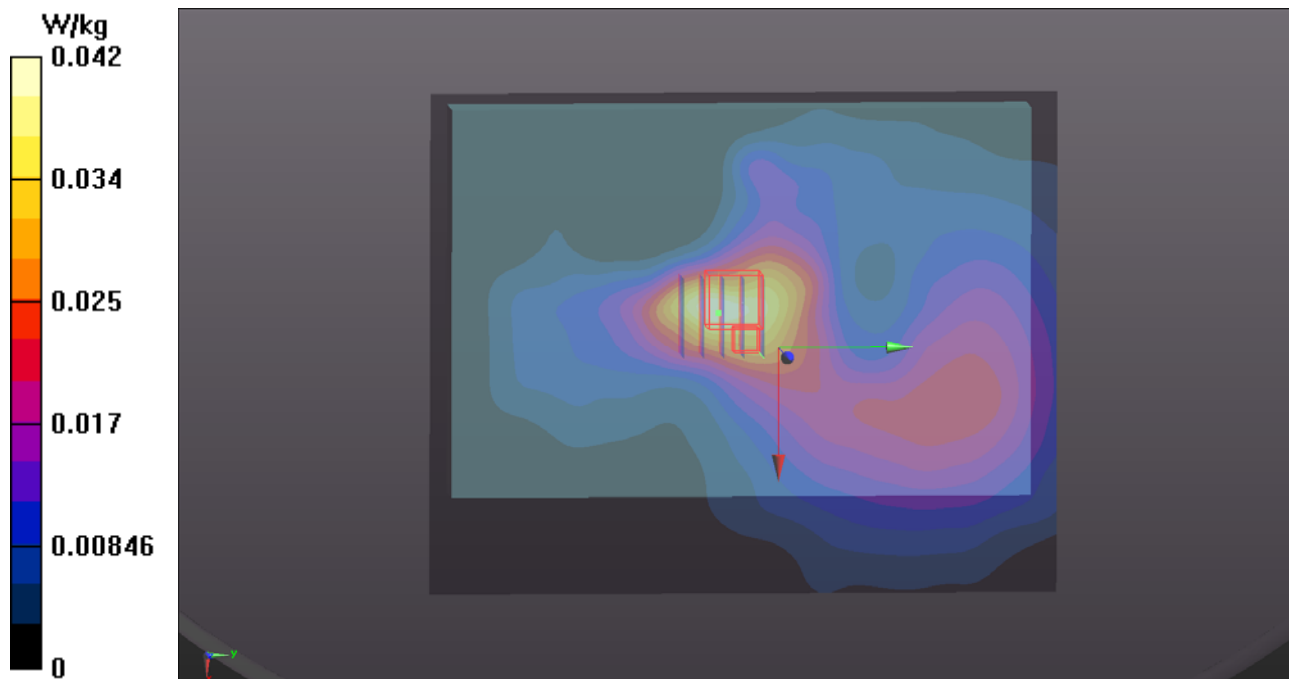
Ambient Temperature : $24.0 \text{ }^\circ\text{C}$; Liquid Temperature : $23.6 \text{ }^\circ\text{C}$

DASY5 Configuration:

- Probe: ET3DV6 - SN1790; ConvF(6.44, 6.44, 6.44); Calibrated: 2016/06/24;
- Sensor-Surface: 4mm (Mechanical Surface Detection)
- Electronics: DAE4 Sn1277; Calibrated: 2016/07/22
- Phantom: ELI Phantom_1039; Type: QDOVA;
- Measurement SW: DASY52, Version 52.8 (8); SEMCAD X Version 14.6.10 (7373)

- **Area Scan (141x171x1)**: Interpolated grid: $dx=1.500 \text{ mm}$, $dy=1.500 \text{ mm}$
Maximum value of SAR (interpolated) = 0.0423 W/kg

- **Zoom Scan (5x5x7)/Cube 0**: Measurement grid: $dx=8\text{mm}$, $dy=8\text{mm}$, $dz=5\text{mm}$
Reference Value = 5.548 V/m ; Power Drift = 0.09 dB
Peak SAR (extrapolated) = 0.0690 W/kg
SAR(1 g) = 0.031 W/kg ; SAR(10 g) = 0.024 W/kg
Maximum value of SAR (measured) = 0.0410 W/kg



P14 LTE 17_QPSK10M_Rear Face_0cm_Ch23790_Sample C_RS500_w_1RB_OS24

DUT: 160718C45

Communication System: LTE; Frequency: 710 MHz; Duty Cycle: 1:1

Medium: B06T09N1_0906 Medium parameters used: $f = 710$ MHz; $\sigma = 0.954$ S/m; $\epsilon_r = 55.542$; $\rho = 1000$ kg/m³

Ambient Temperature : 24.0 °C ; Liquid Temperature : 23.6 °C

DASY5 Configuration:

- Probe: ET3DV6 - SN1790; ConvF(6.44, 6.44, 6.44); Calibrated: 2016/06/24;
- Sensor-Surface: 4mm (Mechanical Surface Detection)
- Electronics: DAE4 Sn1277; Calibrated: 2016/07/22
- Phantom: ELI Phantom_1039; Type: QDOVA;
- Measurement SW: DASY52, Version 52.8 (8); SEMCAD X Version 14.6.10 (7373)

- **Area Scan (141x171x1)**: Interpolated grid: dx=1.500 mm, dy=1.500 mm
Maximum value of SAR (interpolated) = 0.0153 W/kg

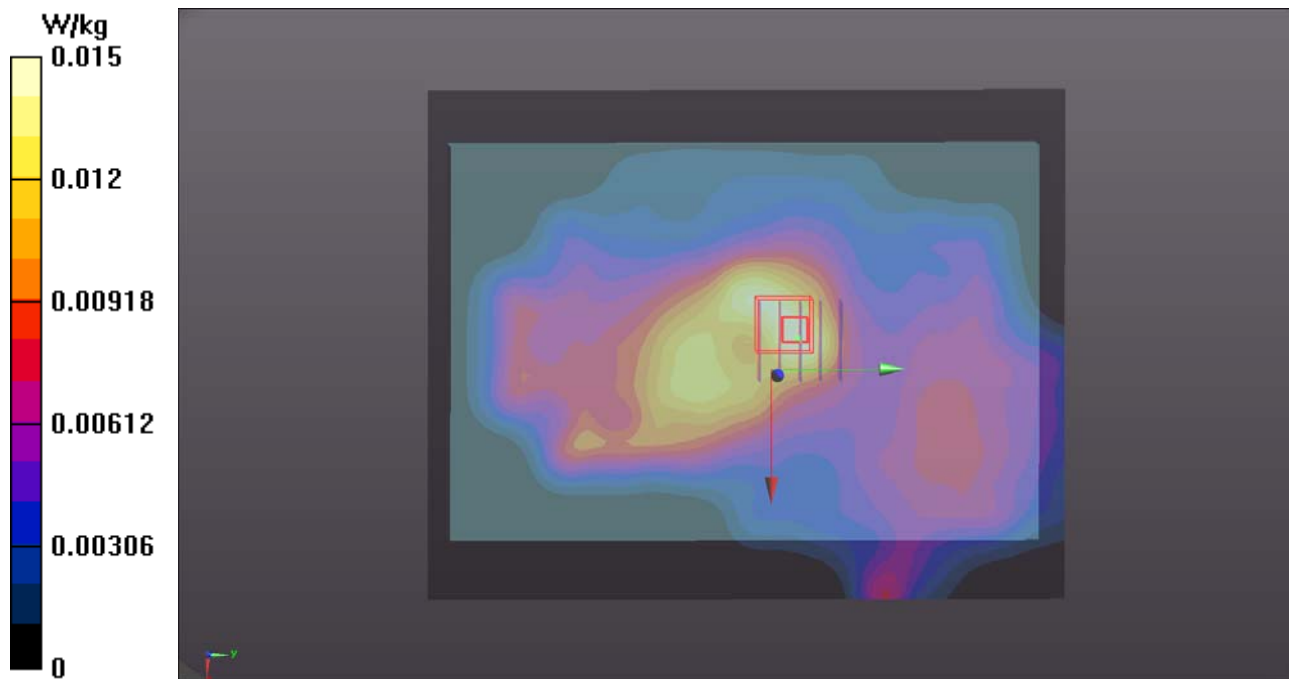
- **Zoom Scan (5x5x7)/Cube 0**: Measurement grid: dx=8mm, dy=8mm, dz=5mm

Reference Value = 3.524 V/m; Power Drift = 0.03 dB

Peak SAR (extrapolated) = 0.0200 W/kg

SAR(1 g) = 0.015 W/kg; SAR(10 g) = 0.011 W/kg

Maximum value of SAR (measured) = 0.0164 W/kg



P15 LTE 25_QPSK20M_Top Side_0cm_Ch26140_Sample C_RS500_w_1RB_OS0

DUT: 160718C45

Communication System: LTE; Frequency: 1860 MHz; Duty Cycle: 1:1

Medium: B16T20N1_0906 Medium parameters used: $f = 1860$ MHz; $\sigma = 1.542$ S/m; $\epsilon_r = 53.009$; $\rho = 1000$ kg/m³

Ambient Temperature : 23.8 °C ; Liquid Temperature : 23.5 °C

DASY5 Configuration:

- Probe: EX3DV4 - SN3971; ConvF(7.85, 7.85, 7.85); Calibrated: 2016/03/23;
- Sensor-Surface: 1.4mm (Mechanical Surface Detection)
- Electronics: DAE3 Sn393; Calibrated: 2016/01/12
- Phantom: ELI Phantom_1039; Type: QDOVA;
- Measurement SW: DASY52, Version 52.8 (8); SEMCAD X Version 14.6.10 (7373)

- **Area Scan (41x171x1):** Interpolated grid: dx=1.500 mm, dy=1.500 mm

Maximum value of SAR (interpolated) = 0.976 W/kg

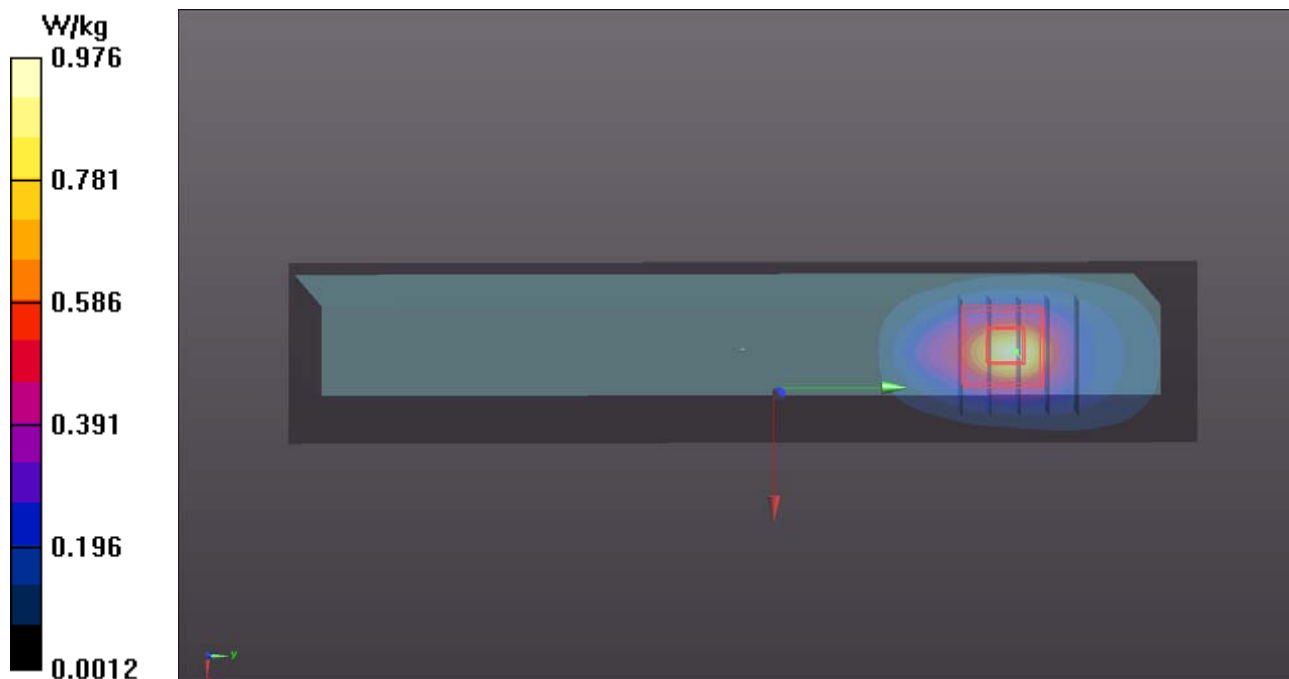
- **Zoom Scan (5x5x7)/Cube 0:** Measurement grid: dx=8mm, dy=8mm, dz=5mm

Reference Value = 4.593 V/m; Power Drift = -0.03 dB

Peak SAR (extrapolated) = 1.56 W/kg

SAR(1 g) = 0.898 W/kg; SAR(10 g) = 0.460 W/kg

Maximum value of SAR (measured) = 0.978 W/kg



P16 2.4G WLAN_802.11b_Left Side_0cm_Ch6_Sample C_Ant0_RS500_w

DUT: 160718C45

Communication System: WLAN_2.4G; Frequency: 2437 MHz; Duty Cycle: 1:1

Medium: B19T27N2_0817 Medium parameters used: $f = 2437$ MHz; $\sigma = 2.011$ S/m; $\epsilon_r = 51.741$; $\rho = 1000$ kg/m³

Ambient Temperature : 23.7 °C ; Liquid Temperature : 23.2 °C

DASY5 Configuration:

- Probe: EX3DV4 - SN7350; ConvF(7.49, 7.49, 7.49); Calibrated: 2015/12/17;
- Sensor-Surface: 1.4mm (Mechanical Surface Detection)
- Electronics: DAE4 Sn1305; Calibrated: 2015/12/11
- Phantom: ELI Phantom_1043; Type: QDOVA;
- Measurement SW: DASY52, Version 52.8 (8); SEMCAD X Version 14.6.10 (7373)

- **Area Scan (101x191x1):** Interpolated grid: dx=1.200 mm, dy=1.200 mm

Maximum value of SAR (interpolated) = 0.196 W/kg

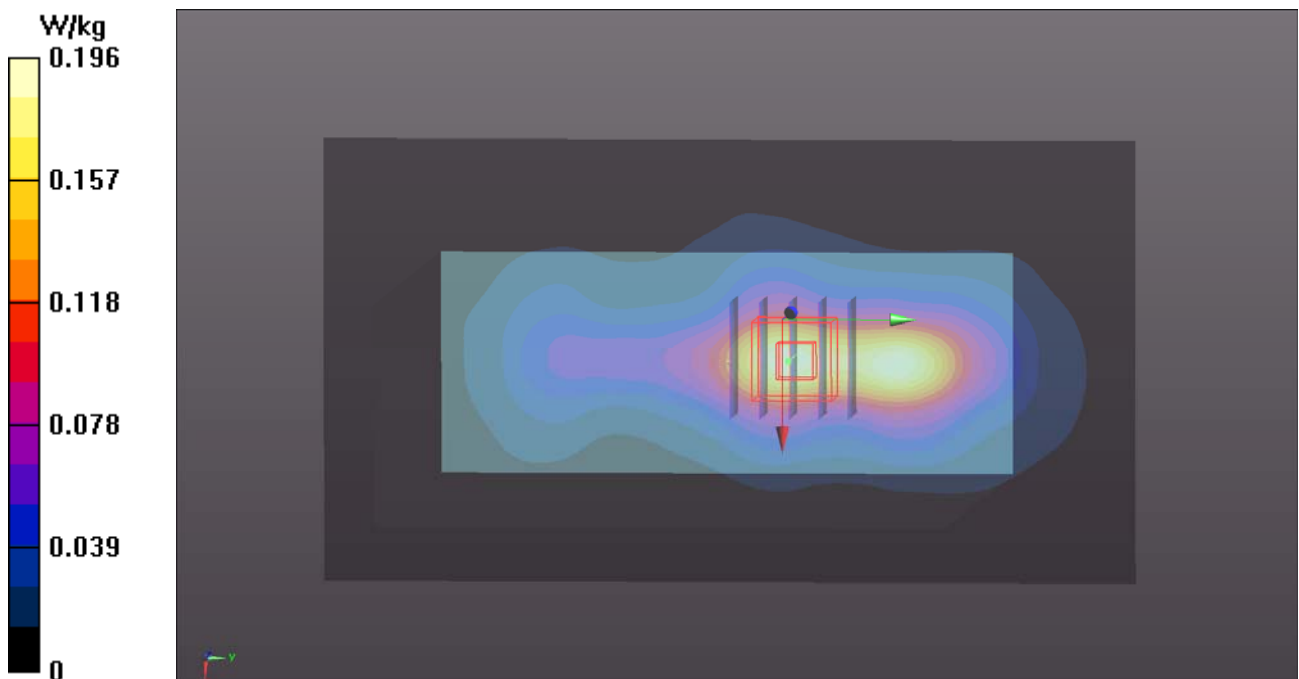
- **Zoom Scan (5x5x7)/Cube 0:** Measurement grid: dx=8mm, dy=8mm, dz=5mm

Reference Value = 7.590 V/m; Power Drift = -0.10 dB

Peak SAR (extrapolated) = 0.245 W/kg

SAR(1 g) = 0.124 W/kg; SAR(10 g) = 0.067 W/kg

Maximum value of SAR (measured) = 0.193 W/kg



P17 5.3G WLAN_802.11a_Left Side_0cm_Ch60_Sample A_Ant0_RS500_w

DUT: 160718C45

Communication System: WLAN_5G; Frequency: 5300 MHz; Duty Cycle: 1:1

Medium: B34T60N2_0817 Medium parameters used: $f = 5300$ MHz; $\sigma = 5.541$ S/m; $\epsilon_r = 46.822$; $\rho = 1000$ kg/m³

Ambient Temperature : 23.9 °C ; Liquid Temperature : 23.5 °C

DASY5 Configuration:

- Probe: EX3DV4 - SN7350; ConvF(4.62, 4.62, 4.62); Calibrated: 2015/12/17;
- Sensor-Surface: 1.4mm (Mechanical Surface Detection)
- Electronics: DAE4 Sn1305; Calibrated: 2015/12/11
- Phantom: ELI Phantom_1043; Type: QDOVA;
- Measurement SW: DASY52, Version 52.8 (8); SEMCAD X Version 14.6.10 (7373)

- **Area Scan (121x221x1):** Interpolated grid: dx=1.000 mm, dy=1.000 mm

Maximum value of SAR (interpolated) = 1.46 W/kg

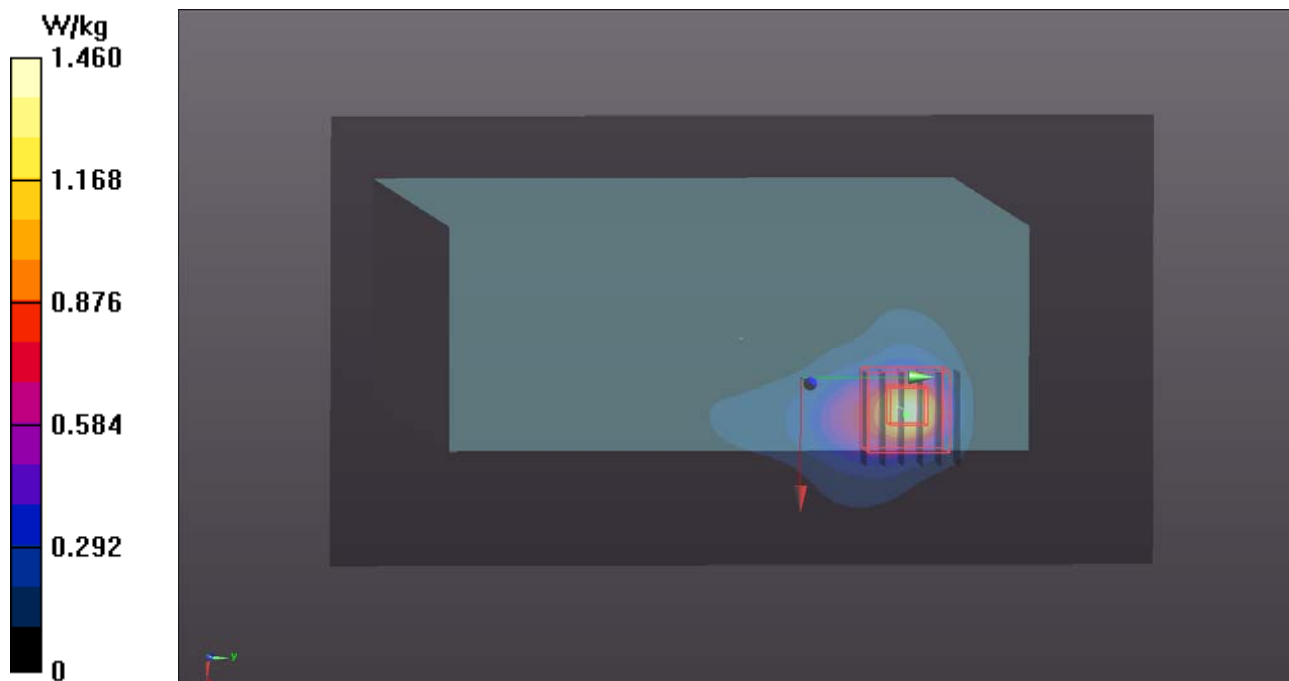
- **Zoom Scan (6x6x12)/Cube 0:** Measurement grid: dx=5mm, dy=5mm, dz=2mm

Reference Value = 2.082 V/m; Power Drift = -0.01 dB

Peak SAR (extrapolated) = 4.16 W/kg

SAR(1 g) = 1.07 W/kg; SAR(10 g) = 0.286 W/kg

Maximum value of SAR (measured) = 2.61 W/kg



P18 5.6G WLAN_802.11a_Left Side_0cm_Ch100_Sample B_Ant0_RS500_w

DUT: 160718C45

Communication System: WLAN_5G; Frequency: 5500 MHz; Duty Cycle: 1:1

Medium: B34T60N2_0817 Medium parameters used: $f = 5500$ MHz; $\sigma = 5.791$ S/m; $\epsilon_r = 46.502$; $\rho = 1000$ kg/m³

Ambient Temperature : 23.9 °C ; Liquid Temperature : 23.5 °C

DASY5 Configuration:

- Probe: EX3DV4 - SN7350; ConvF(4.05, 4.05, 4.05); Calibrated: 2015/12/17;
- Sensor-Surface: 1.4mm (Mechanical Surface Detection)
- Electronics: DAE4 Sn1305; Calibrated: 2015/12/11
- Phantom: ELI Phantom_1043; Type: QDOVA;
- Measurement SW: DASY52, Version 52.8 (8); SEMCAD X Version 14.6.10 (7373)

- **Area Scan (121x221x1):** Interpolated grid: dx=1.000 mm, dy=1.000 mm

Maximum value of SAR (interpolated) = 1.69 W/kg

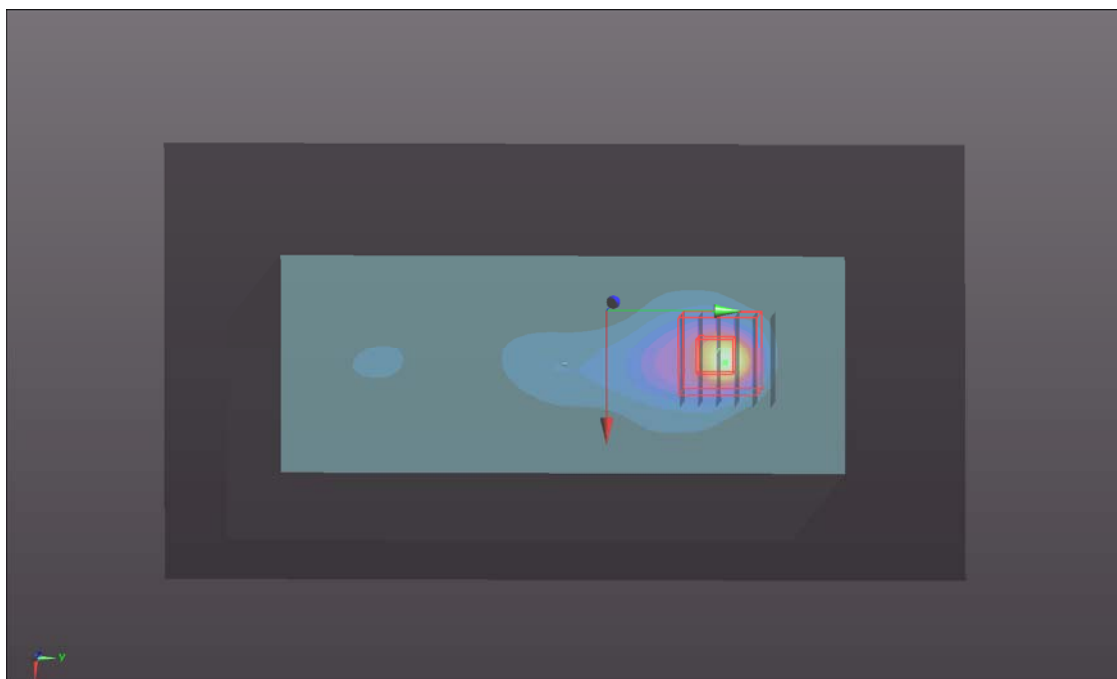
- **Zoom Scan (6x6x12)/Cube 0:** Measurement grid: dx=5mm, dy=5mm, dz=2mm

Reference Value = 6.905 V/m; Power Drift = 0.06 dB

Peak SAR (extrapolated) = 3.59 W/kg

SAR(1 g) = 0.858 W/kg; SAR(10 g) = 0.25 W/kg

Maximum value of SAR (measured) = 2.37 W/kg



P19 5.8G WLAN_802.11a_Left Side_0cm_Ch149_Sample B_Ant0_RS500_w

DUT: 160718C45

Communication System: WLAN_5G; Frequency: 5745 MHz; Duty Cycle: 1:1

Medium: B34T60N2_0817 Medium parameters used: $f = 5745$ MHz; $\sigma = 6.133$ S/m; $\epsilon_r = 46.047$; $\rho = 1000$ kg/m³

Ambient Temperature : 23.9 °C ; Liquid Temperature : 23.5 °C

DASY5 Configuration:

- Probe: EX3DV4 - SN7350; ConvF(4.03, 4.03, 4.03); Calibrated: 2015/12/17;
- Sensor-Surface: 1.4mm (Mechanical Surface Detection)
- Electronics: DAE4 Sn1305; Calibrated: 2015/12/11
- Phantom: ELI Phantom_1043; Type: QDOVA;
- Measurement SW: DASY52, Version 52.8 (8); SEMCAD X Version 14.6.10 (7373)

- **Area Scan (121x221x1):** Interpolated grid: dx=1.000 mm, dy=1.000 mm
Maximum value of SAR (interpolated) = 1.67 W/kg

- **Zoom Scan (6x6x12)/Cube 0:** Measurement grid: dx=5mm, dy=5mm, dz=2mm
Reference Value = 5.135 V/m; Power Drift = -0.11 dB
Peak SAR (extrapolated) = 3.26 W/kg
SAR(1 g) = 0.676 W/kg; SAR(10 g) = 0.125 W/kg
Maximum value of SAR (measured) = 1.94 W/kg

