

A

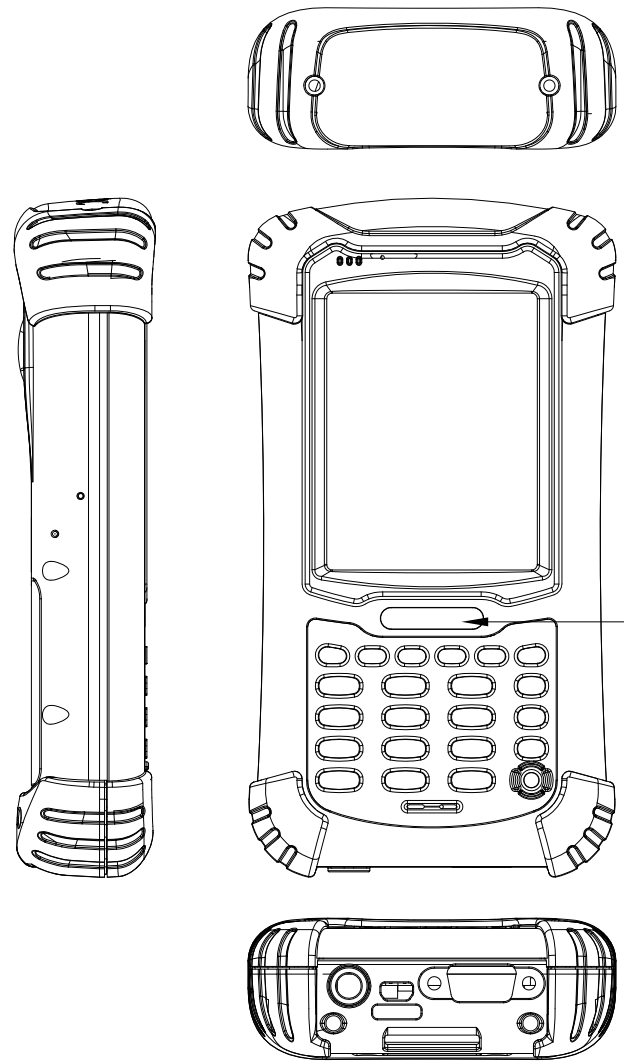
B

C

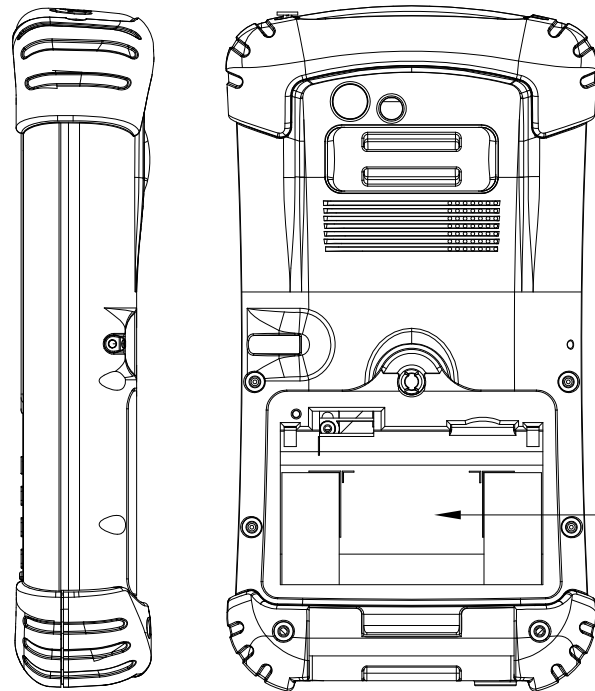
D

E

F



1

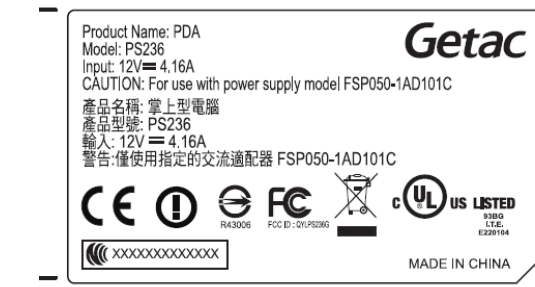


2

① GETAC LOGO



② LABEL;RATING



3	242816800010	TF1-LABEL;BAR CODE,BLANK,7*24MM,PS535E	1	IE Printing
②	242820900005	TF1-LABEL;RATING,WORLDWIDE,W/3G,PS236	1	
①	241821500002	TF1-GETAC LOGO;PS535F	1	
ITEM	PART NO.	DESCRIPTION	Q'TY	REMARK

										DATE	06-AUG-2009	MATERIAL	SEE NOTES	TREATMENT	REMARK		
										UNIT	MM	SCALE	— —	DRAWING NAME			TF1-LABEL KIT;WORLDWILD,WZ 3G,GETAC,PS236
										DRAWN	DESIGNED	CHECKED	APPROVED	MATERIAL NO.			AD 451 8209 10051 R 00
										MITAC Technology Corp.							
ITEM	CONTENTS OF CHANGE				RVS	CHK	APV	M/D/Y									

A

B

C

D

E

SHEET No. 1 of 1