

A

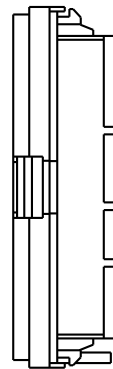
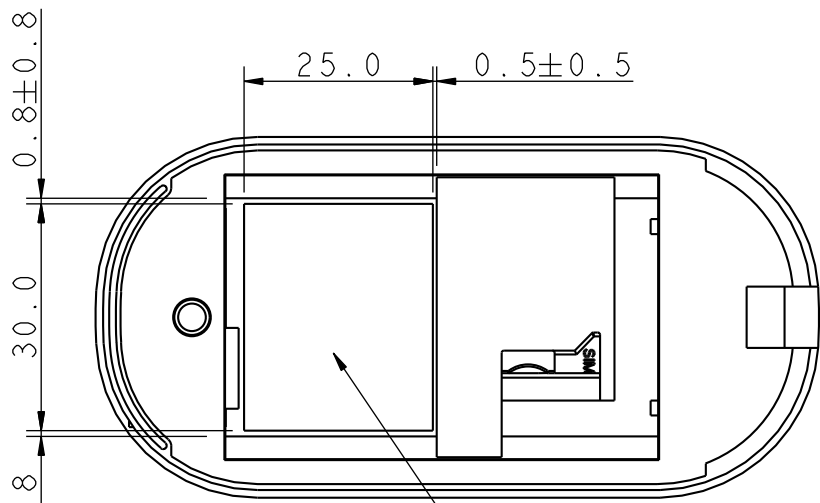
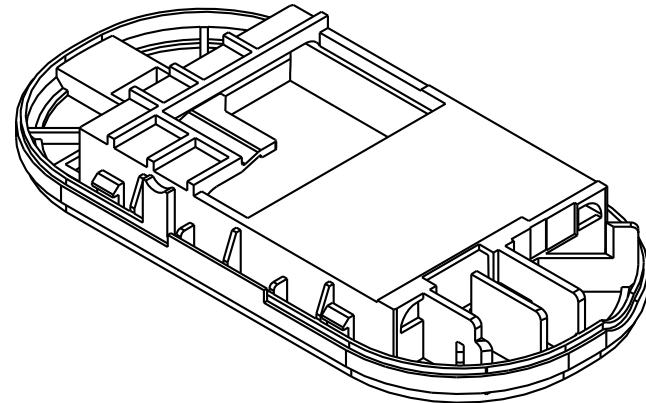
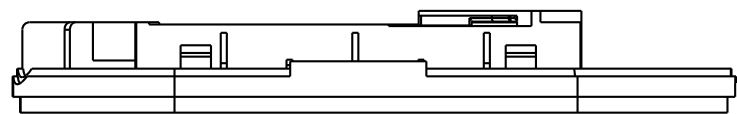
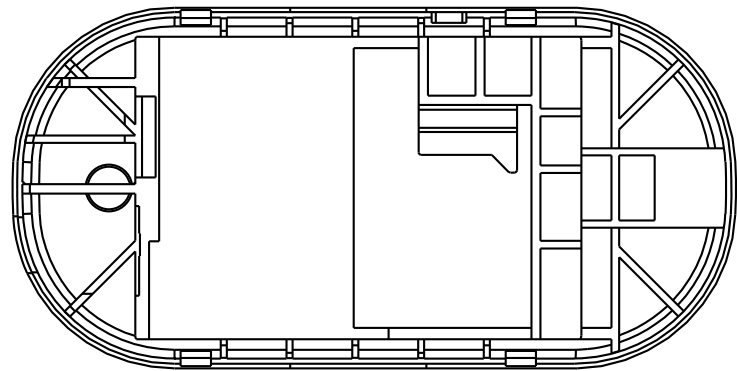
B

C

D

E

F



LOCATION OF SYSTEM LABEL

				//		TOL ±	<b>V</b>				DATE	09-Nov-2009	MATERIAL	SEE NOTES	TREATMENT	PROJECTION				
				//		RANGE	Pl a	Met	Ins	Por	Cab	Pac	Gas	PCB	UNIT	MM	SCALE	1.00	DRAWING NAME	TFI-COVER;ENERGY
				//		0~6	0.1	0.1	0.1	0.2	0.5	1	0.5	0.1	DRAWN	DESIGNED	CHECKED	APPROVED	MATERIAL NO.	MF 344826000002 R r00
				//		6~30	0.1	0.1	.15	.25	1	1	0.5	0.1						
				//		30~80	0.1	.15	0.2	0.3	2	1.5	1	0.1						
				//		80~180	.15	.15	.25	0.3	2	2	1	.15						
				//		180~315	.15	0.2	0.3	0.4	2.5	2	1	.15						
				//		315~800	0.2	0.3	0.4	0.5	3	3	2	.15						
ITEM	CONTENTS OF CHANGE				RVS	CHK	APV	M/D/Y												

A

B

C

D

E

SHEET No. 2 of 2

model name:COVER\_ENERGY

file name:TFI-COVER\_ENERGY

