

**#01\_WCDMA II\_RMC 12.2Kbps\_Bottom Face\_0mm\_Ch9538**

Communication System: WCDMA ; Frequency: 1907.6 MHz; Duty Cycle: 1:1

Medium: MSL\_1900\_170607 Medium parameters used:  $f = 1908$  MHz;  $\sigma = 1.572$  S/m;  $\epsilon_r = 55.148$ ;  $\rho = 1000$  kg/m<sup>3</sup>

Ambient Temperature : 23.4 °C ; Liquid Temperature : 22.4 °C

DASY5 Configuration:

- Probe: EX3DV4 - SN7375; ConvF(7.62, 7.62, 7.62); Calibrated: 2016/12/8;
- Sensor-Surface: 1.4mm (Mechanical Surface Detection)
- Electronics: DAE4 Sn1305; Calibrated: 2016/12/15
- Phantom: ELI v5.0; Type: QDOVA002AA; Serial: TP:1227
- Measurement SW: DASY52, Version 52.8 (8); SEMCAD X Version 14.6.10 (7373)

**Area Scan (51x91x1):** Interpolated grid: dx=1.500 mm, dy=1.500 mm

Maximum value of SAR (interpolated) = 1.47 W/kg

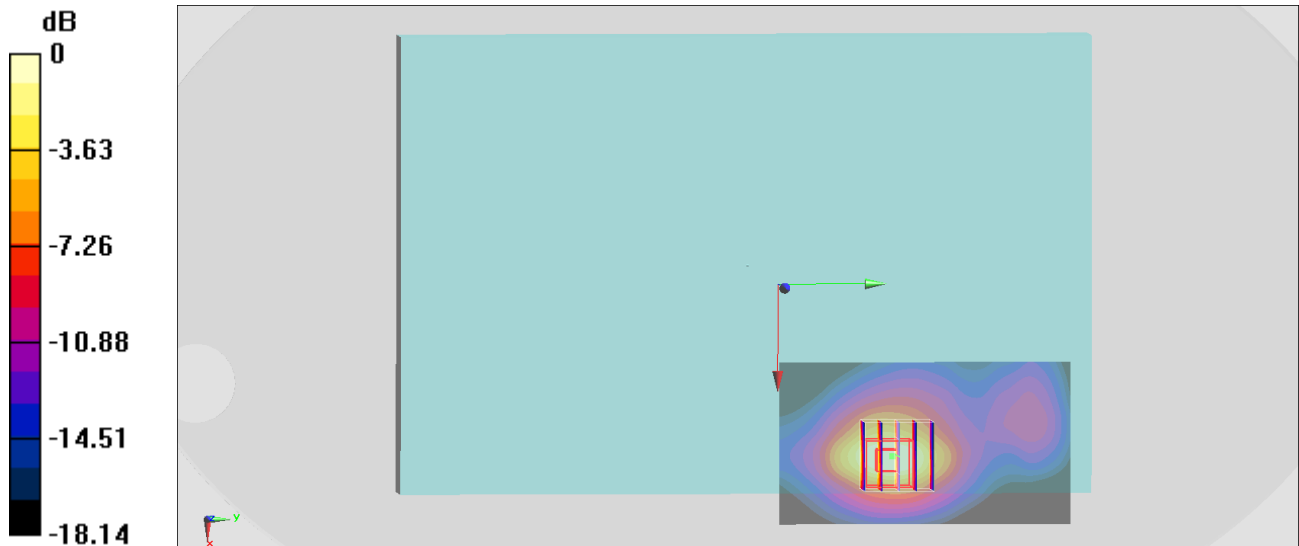
**Zoom Scan (5x5x7)/Cube 0:** Measurement grid: dx=8mm, dy=8mm, dz=5mm

Reference Value = 30.16 V/m; Power Drift = -0.12 dB

Peak SAR (extrapolated) = 1.66 W/kg

**SAR(1 g) = 0.838 W/kg; SAR(10 g) = 0.408 W/kg**

Maximum value of SAR (measured) = 1.25 W/kg



0 dB = 1.25 W/kg = 0.97 dBW/kg

**#02\_WCDMA IV\_RMC 12.2Kbps\_Bottom Face\_0mm\_Ch1413**

Communication System: WCDMA ; Frequency: 1732.6 MHz;Duty Cycle: 1:1

Medium: MSL\_1750\_170607 Medium parameters used:  $f = 1733$  MHz;  $\sigma = 1.431$  S/m;  $\epsilon_r = 55.299$ ;  $\rho = 1000$  kg/m<sup>3</sup>

Ambient Temperature : 23.4 °C ; Liquid Temperature : 22.4 °C

DASY5 Configuration:

- Probe: EX3DV4 - SN7375; ConvF(8.22, 8.22, 8.22); Calibrated: 2016/12/8;
- Sensor-Surface: 1.4mm (Mechanical Surface Detection)
- Electronics: DAE4 Sn1305; Calibrated: 2016/12/15
- Phantom: ELI v5.0; Type: QDOVA002AA; Serial: TP:1227
- Measurement SW: DASY52, Version 52.8 (8);SEMCAD X Version 14.6.10 (7373)

**Area Scan (51x81x1):** Interpolated grid: dx=1.500 mm, dy=1.500 mm

Maximum value of SAR (interpolated) = 1.62 W/kg

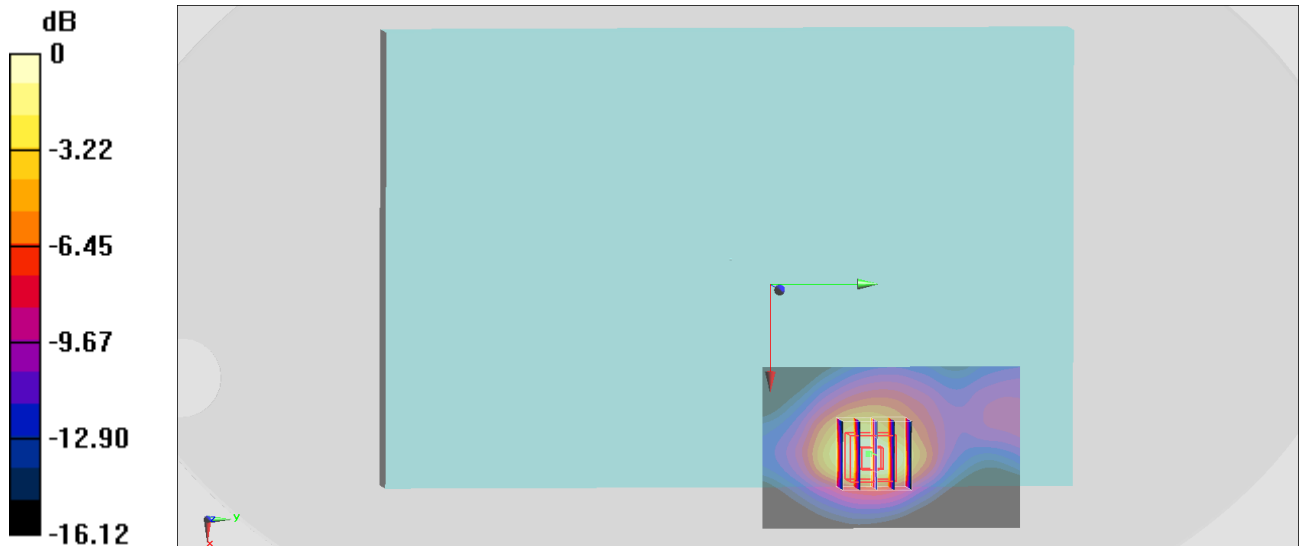
**Zoom Scan (5x5x7)/Cube 0:** Measurement grid: dx=8mm, dy=8mm, dz=5mm

Reference Value = 31.82 V/m; Power Drift = -0.07 dB

Peak SAR (extrapolated) = 1.69 W/kg

**SAR(1 g) = 0.874 W/kg; SAR(10 g) = 0.445 W/kg**

Maximum value of SAR (measured) = 1.32 W/kg



0 dB = 1.32 W/kg = 1.21 dBW/kg

**#03\_WCDMA V\_RMC 12.2Kbps\_Bottom Face\_0mm\_Ch4132**

Communication System: WCDMA; Frequency: 826.4 MHz; Duty Cycle: 1:1

Medium: MSL\_850\_170608 Medium parameters used:  $f = 826.4$  MHz;  $\sigma = 0.956$  S/m;  $\epsilon_r = 57.426$ ;  $\rho = 1000$  kg/m<sup>3</sup>

Ambient Temperature : 23.5 °C; Liquid Temperature : 22.5 °C

DASY5 Configuration:

- Probe: EX3DV4 - SN7375; ConvF(9.94, 9.94, 9.94); Calibrated: 2016/12/8;
- Sensor-Surface: 1.4mm (Mechanical Surface Detection)
- Electronics: DAE4 Sn1305; Calibrated: 2016/12/15
- Phantom: ELI v5.0\_Left; Type: QDOVA002AA; Serial: TP:1029
- Measurement SW: DASY52, Version 52.8 (8); SEMCAD X Version 14.6.10 (7373)

**Area Scan (51x81x1):** Interpolated grid: dx=1.500 mm, dy=1.500 mm

Maximum value of SAR (interpolated) = 1.08 W/kg

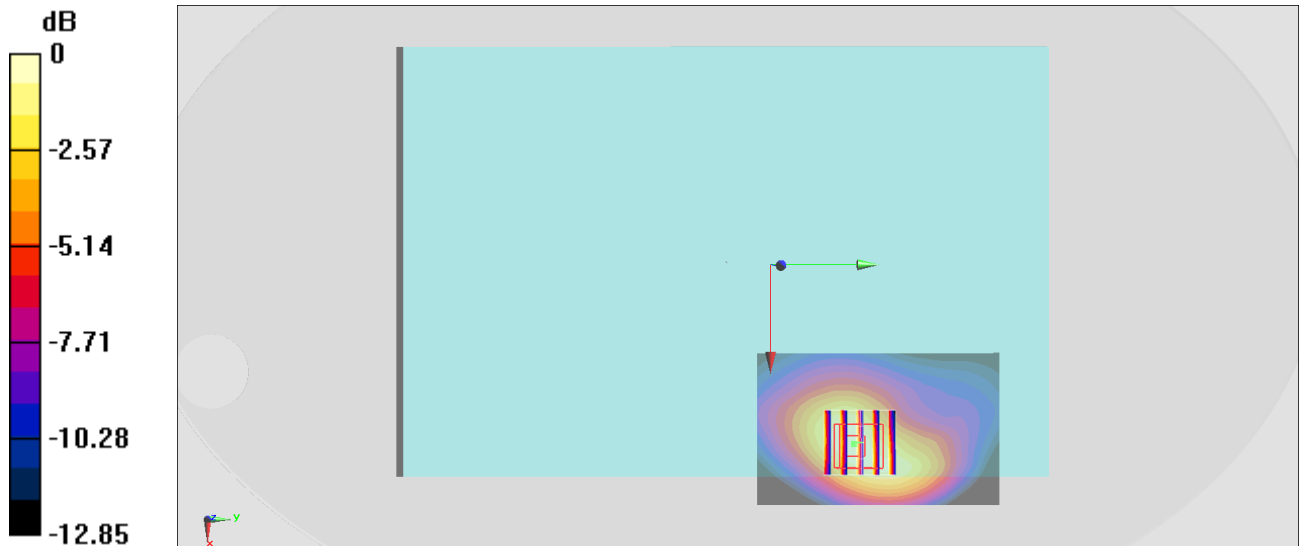
**Zoom Scan (5x5x7)/Cube 0:** Measurement grid: dx=8mm, dy=8mm, dz=5mm

Reference Value = 34.03 V/m; Power Drift = -0.06 dB

Peak SAR (extrapolated) = 1.23 W/kg

**SAR(1 g) = 0.728 W/kg; SAR(10 g) = 0.449 W/kg**

Maximum value of SAR (measured) = 1.01 W/kg



0 dB = 1.01 W/kg = 0.04 dBW/kg

**#04\_LTE Band 4\_20M\_QPSK\_1\_0\_Bottom Face\_0mm\_Ch20175**

Communication System: LTE; Frequency: 1732.5 MHz; Duty Cycle: 1:1

Medium: MSL\_1750\_170607 Medium parameters used:  $f = 1732.5$  MHz;  $\sigma = 1.431$  S/m;  $\epsilon_r = 55.3$ ;  $\rho = 1000$  kg/m<sup>3</sup>

Ambient Temperature : 23.4 °C ; Liquid Temperature : 22.4 °C

DASY5 Configuration:

- Probe: EX3DV4 - SN7375; ConvF(8.22, 8.22, 8.22); Calibrated: 2016/12/8;
- Sensor-Surface: 1.4mm (Mechanical Surface Detection)
- Electronics: DAE4 Sn1305; Calibrated: 2016/12/15
- Phantom: ELI v5.0; Type: QDOVA002AA; Serial: TP:1227
- Measurement SW: DASY52, Version 52.8 (8); SEMCAD X Version 14.6.10 (7373)

**Area Scan (51x81x1):** Interpolated grid: dx=1.500 mm, dy=1.500 mm

Maximum value of SAR (interpolated) = 1.12 W/kg

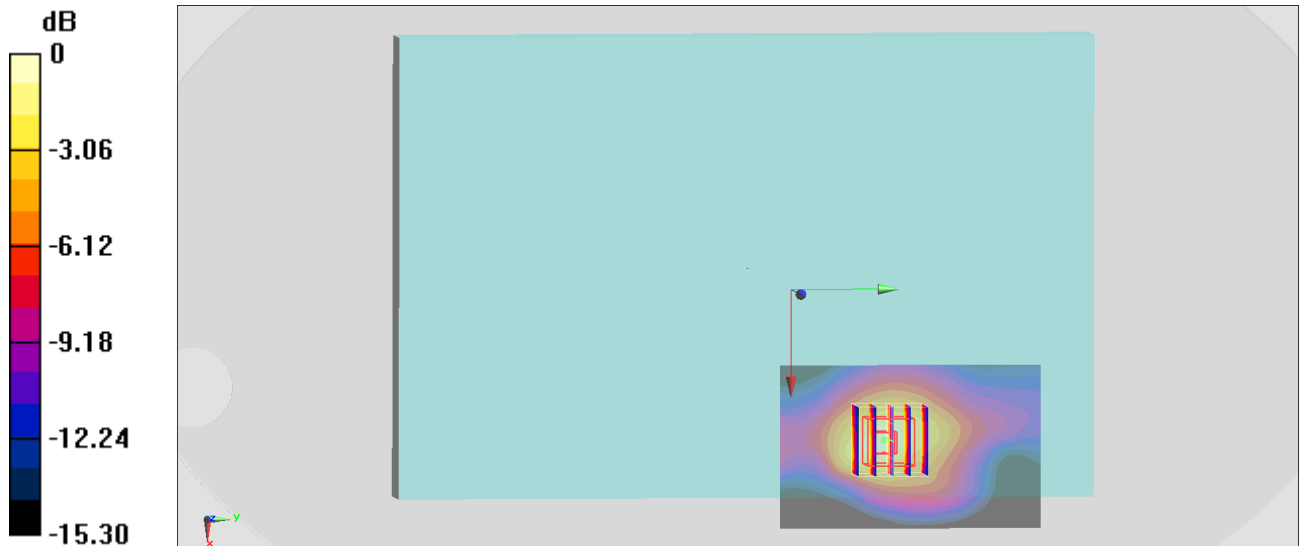
**Zoom Scan (5x5x7)/Cube 0:** Measurement grid: dx=8mm, dy=8mm, dz=5mm

Reference Value = 29.80 V/m; Power Drift = -0.02 dB

Peak SAR (extrapolated) = 1.39 W/kg

**SAR(1 g) = 0.781 W/kg; SAR(10 g) = 0.444 W/kg**

Maximum value of SAR (measured) = 1.17 W/kg



0 dB = 1.17 W/kg = 0.68 dBW/kg

## #05\_LTE Band 7\_20M\_QPSK\_1\_0\_Edge 1\_0mm\_Ch21350

Communication System: LTE; Frequency: 2560 MHz; Duty Cycle: 1:1

Medium: MSL\_2600\_170606 Medium parameters used:  $f = 2560$  MHz;  $\sigma = 2.145$  S/m;  $\epsilon_r = 52.918$ ;  $\rho = 1000$  kg/m<sup>3</sup>

Ambient Temperature : 23.3 °C ; Liquid Temperature : 22.3 °C

DASY5 Configuration:

- Probe: EX3DV4 - SN3931; ConvF(7.46, 7.46, 7.46); Calibrated: 2016/10/3;
- Sensor-Surface: 1.4mm (Mechanical Surface Detection)
- Electronics: DAE3 Sn577; Calibrated: 2016/9/28
- Phantom: ELI v5.0; Type: QDOVA002AA; Serial: TP:1227
- Measurement SW: DASY52, Version 52.8 (8); SEMCAD X Version 14.6.10 (7373)

**Area Scan (61x91x1):** Interpolated grid: dx=1.200 mm, dy=1.200 mm

Maximum value of SAR (interpolated) = 0.546 W/kg

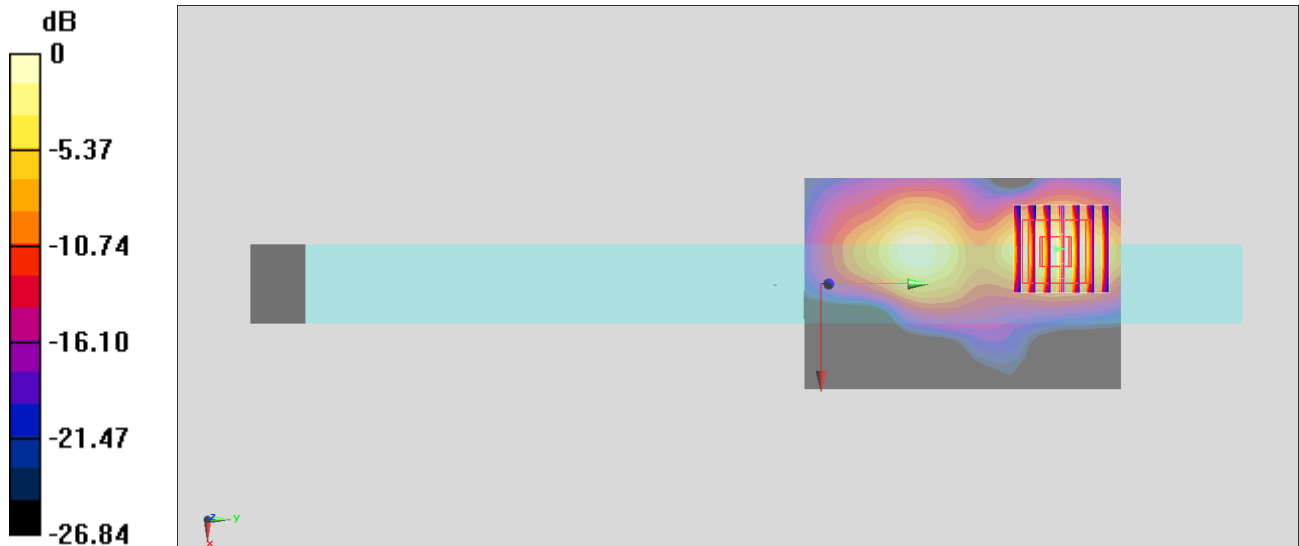
**Zoom Scan (7x7x7)/Cube 0:** Measurement grid: dx=5mm, dy=5mm, dz=5mm

Reference Value = 16.31 V/m; Power Drift = -0.12 dB

Peak SAR (extrapolated) = 0.689 W/kg

**SAR(1 g) = 0.321 W/kg; SAR(10 g) = 0.138 W/kg**

Maximum value of SAR (measured) = 0.540 W/kg



0 dB = 0.540 W/kg = -2.68 dBW/kg

**#06\_LTE Band 12\_10M\_QPSK\_1\_0\_Bottom Face\_0mm\_Ch23095**

Communication System: LTE; Frequency: 707.5 MHz; Duty Cycle: 1:1

Medium: MSL\_750\_170609 Medium parameters used:  $f = 707.5$  MHz;  $\sigma = 0.936$  S/m;  $\epsilon_r = 54.755$ ;  $\rho = 1000$  kg/m<sup>3</sup>

Ambient Temperature : 23.2 °C; Liquid Temperature : 22.2 °C

DASY5 Configuration:

- Probe: EX3DV4 - SN3925; ConvF(10.56, 10.56, 10.56); Calibrated: 2017/5/24;
- Sensor-Surface: 1.4mm (Mechanical Surface Detection)
- Electronics: DAE3 Sn495; Calibrated: 2017/5/22
- Phantom: ELI v5.0\_Left; Type: QDOVA002AA; Serial: TP:1029
- Measurement SW: DASY52, Version 52.8 (8); SEMCAD X Version 14.6.10 (7373)

**Area Scan (51x91x1):** Interpolated grid: dx=1.500 mm, dy=1.500 mm

Maximum value of SAR (interpolated) = 0.944 W/kg

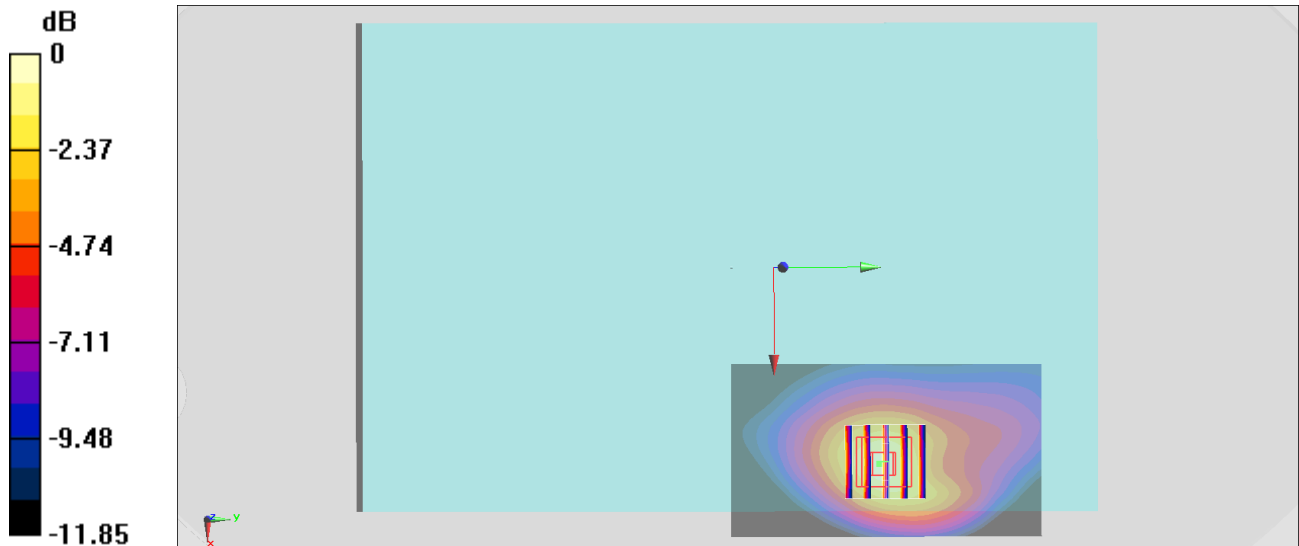
**Zoom Scan (5x5x7)/Cube 0:** Measurement grid: dx=8mm, dy=8mm, dz=5mm

Reference Value = 34.60 V/m; Power Drift = -0.08 dB

Peak SAR (extrapolated) = 1.16 W/kg

**SAR(1 g) = 0.730 W/kg; SAR(10 g) = 0.455 W/kg**

Maximum value of SAR (measured) = 1.01 W/kg



0 dB = 1.01 W/kg = 0.04 dBW/kg

## #07\_LTE Band 13\_10M\_QPSK\_25\_0\_Bottom Face\_0mm\_Ch23230

Communication System: LTE; Frequency: 782 MHz; Duty Cycle: 1:1

Medium: MSL\_750\_170609 Medium parameters used:  $f = 782 \text{ MHz}$ ;  $\sigma = 1.006 \text{ S/m}$ ;  $\epsilon_r = 54.048$ ;  $\rho = 1000 \text{ kg/m}^3$

Ambient Temperature :  $23.2 \text{ }^\circ\text{C}$ ; Liquid Temperature :  $22.2 \text{ }^\circ\text{C}$

DASY5 Configuration:

- Probe: EX3DV4 - SN3925; ConvF(10.56, 10.56, 10.56); Calibrated: 2017/5/24;
- Sensor-Surface: 1.4mm (Mechanical Surface Detection)
- Electronics: DAE3 Sn495; Calibrated: 2017/5/22
- Phantom: ELI v5.0\_Left; Type: QDOVA002AA; Serial: TP:1029
- Measurement SW: DASY52, Version 52.8 (8); SEMCAD X Version 14.6.10 (7373)

**Area Scan (51x91x1):** Interpolated grid:  $dx=1.500 \text{ mm}$ ,  $dy=1.500 \text{ mm}$

Maximum value of SAR (interpolated) =  $0.914 \text{ W/kg}$

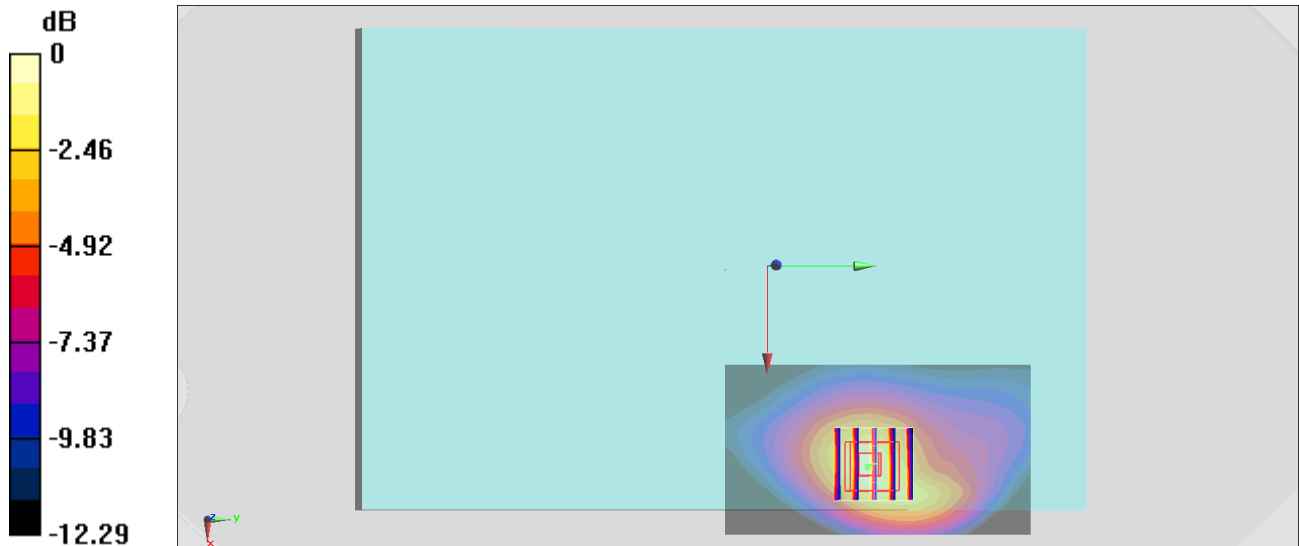
**Zoom Scan (5x5x7)/Cube 0:** Measurement grid:  $dx=8\text{mm}$ ,  $dy=8\text{mm}$ ,  $dz=5\text{mm}$

Reference Value =  $32.65 \text{ V/m}$ ; Power Drift =  $-0.08 \text{ dB}$

Peak SAR (extrapolated) =  $1.11 \text{ W/kg}$

**SAR(1 g) =  $0.681 \text{ W/kg}$ ; SAR(10 g) =  $0.418 \text{ W/kg}$**

Maximum value of SAR (measured) =  $0.960 \text{ W/kg}$



0 dB =  $0.960 \text{ W/kg} = -0.18 \text{ dBW/kg}$

**#08\_LTE Band 25\_20M\_QPSK\_1\_0\_Bottom Face\_0mm\_Ch26590**

Communication System: LTE; Frequency: 1905 MHz; Duty Cycle: 1:1

Medium: MSL\_1900\_170607 Medium parameters used:  $f = 1905$  MHz;  $\sigma = 1.569$  S/m;  $\epsilon_r = 55.161$ ;  $\rho = 1000$  kg/m<sup>3</sup>

Ambient Temperature : 23.4 °C; Liquid Temperature : 22.4 °C

DASY5 Configuration:

- Probe: EX3DV4 - SN7375; ConvF(7.62, 7.62, 7.62); Calibrated: 2016/12/8;
- Sensor-Surface: 1.4mm (Mechanical Surface Detection)
- Electronics: DAE4 Sn1305; Calibrated: 2016/12/15
- Phantom: ELI v5.0; Type: QDOVA002AA; Serial: TP:1227
- Measurement SW: DASY52, Version 52.8 (8); SEMCAD X Version 14.6.10 (7373)

**Area Scan (51x81x1):** Interpolated grid: dx=1.500 mm, dy=1.500 mm

Maximum value of SAR (interpolated) = 1.93 W/kg

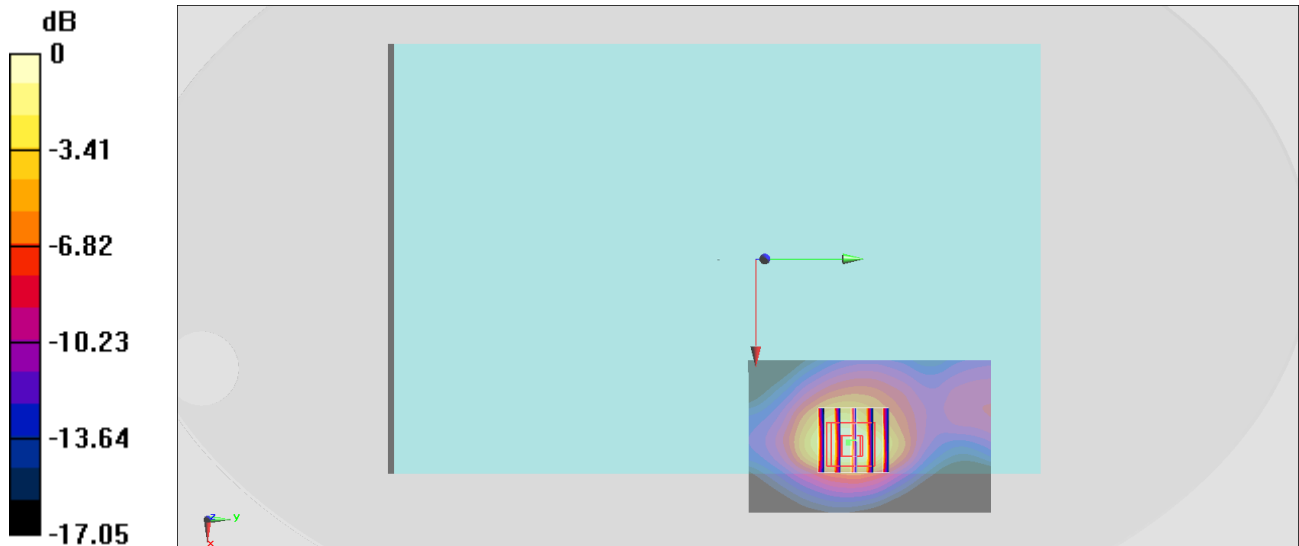
**Zoom Scan (5x5x7)/Cube 0:** Measurement grid: dx=8mm, dy=8mm, dz=5mm

Reference Value = 33.17 V/m; Power Drift = -0.05 dB

Peak SAR (extrapolated) = 2.02 W/kg

**SAR(1 g) = 1.04 W/kg; SAR(10 g) = 0.530 W/kg**

Maximum value of SAR (measured) = 1.58 W/kg



0 dB = 1.58 W/kg = 1.99 dBW/kg



## #09\_LTE Band 26\_15M\_QPSK\_1\_0\_Bottom Face\_0mm\_Ch26865

Communication System: LTE; Frequency: 831.5 MHz; Duty Cycle: 1:1

Medium: MSL\_850\_170609 Medium parameters used:  $f = 831.5$  MHz;  $\sigma = 1.01$  S/m;  $\epsilon_r = 56.714$ ;  $\rho = 1000$  kg/m<sup>3</sup>

Ambient Temperature : 23.2 °C ; Liquid Temperature : 22.2 °C

DASY5 Configuration:

- Probe: EX3DV4 - SN3925; ConvF(10.29, 10.29, 10.29); Calibrated: 2017/5/24;
- Sensor-Surface: 1.4mm (Mechanical Surface Detection)
- Electronics: DAE3 Sn495; Calibrated: 2017/5/22
- Phantom: ELI v5.0\_Left; Type: QDOVA002AA; Serial: TP:1029
- Measurement SW: DASY52, Version 52.8 (8); SEMCAD X Version 14.6.10 (7373)

**Area Scan (51x91x1):** Interpolated grid: dx=1.500 mm, dy=1.500 mm

Maximum value of SAR (interpolated) = 0.915 W/kg

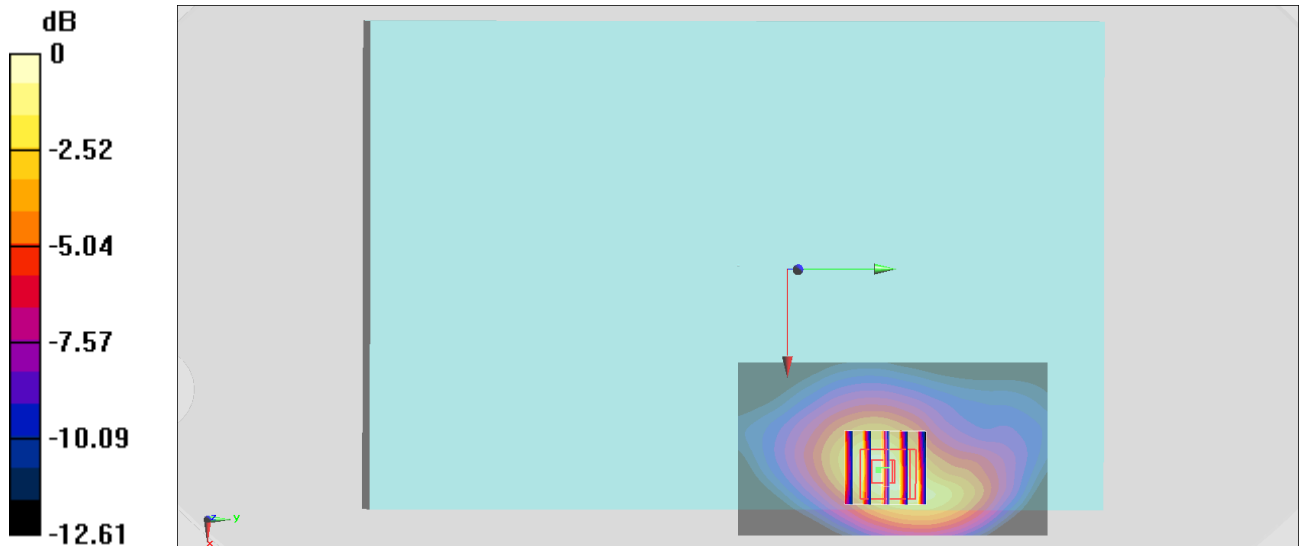
**Zoom Scan (5x5x7)/Cube 0:** Measurement grid: dx=8mm, dy=8mm, dz=5mm

Reference Value = 32.35 V/m; Power Drift = -0.01 dB

Peak SAR (extrapolated) = 1.11 W/kg

**SAR(1 g) = 0.679 W/kg; SAR(10 g) = 0.416 W/kg**

Maximum value of SAR (measured) = 0.961 W/kg



0 dB = 0.961 W/kg = -0.17 dBW/kg

**#10\_LTE Band 41\_20M\_QPSK\_1\_0\_Edge 1\_0mm\_Ch40620**

Communication System: LTE; Frequency: 2593 MHz; Duty Cycle: 1:1.59

Medium: MSL\_2600\_170606 Medium parameters used:  $f = 2593$  MHz;  $\sigma = 2.189$  S/m;  $\epsilon_r = 52.828$ ;  $\rho = 1000$  kg/m<sup>3</sup>

Ambient Temperature : 23.3 °C ; Liquid Temperature : 22.3 °C

DASY5 Configuration:

- Probe: EX3DV4 - SN3931; ConvF(7.46, 7.46, 7.46); Calibrated: 2016/10/3;
- Sensor-Surface: 1.4mm (Mechanical Surface Detection)
- Electronics: DAE3 Sn577; Calibrated: 2016/9/28
- Phantom: ELI v5.0; Type: QDOVA002AA; Serial: TP:1227
- Measurement SW: DASY52, Version 52.8 (8); SEMCAD X Version 14.6.10 (7373)

**Area Scan (61x101x1):** Interpolated grid: dx=1.200 mm, dy=1.200 mm

Maximum value of SAR (interpolated) = 0.562 W/kg

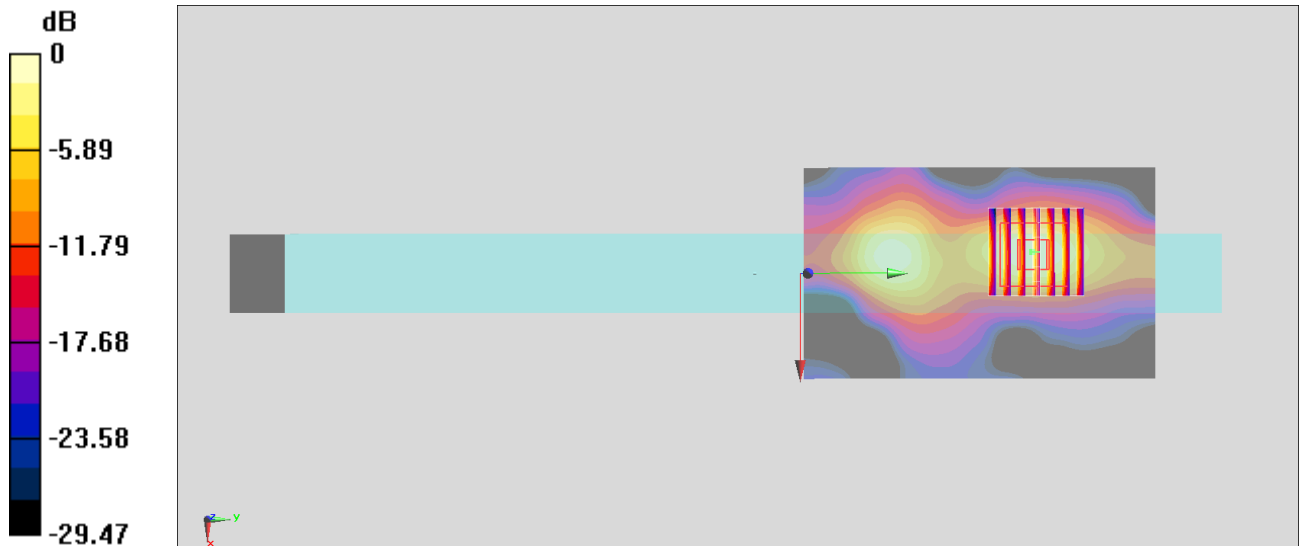
**Zoom Scan (7x7x7)/Cube 0:** Measurement grid: dx=5mm, dy=5mm, dz=5mm

Reference Value = 15.31 V/m; Power Drift = -0.10 dB

Peak SAR (extrapolated) = 0.625 W/kg

**SAR(1 g) = 0.282 W/kg; SAR(10 g) = 0.118 W/kg**

Maximum value of SAR (measured) = 0.489 W/kg



0 dB = 0.489 W/kg = -3.11 dBW/kg