

System Check_2450MHz_100520

DUT: Dipole 2450 MHz

Communication System: CW; Frequency: 2450 MHz; Duty Cycle: 1:1

Medium: MSL_2450_100520 Medium parameters used: $f = 2450$ MHz; $\sigma = 2.02$ mho/m; $\epsilon_r = 53.8$; $\rho = 1000$

kg/m³

Ambient Temperature : 22.6 ; Liquid Temperature : 21.6

DASY5 Configuration:

- Probe: ET3DV6 - SN1788; ConvF(4.19, 4.19, 4.19); Calibrated: 2009/9/23
- Sensor-Surface: 4mm (Mechanical Surface Detection)
- Electronics: DAE4 Sn778; Calibrated: 2009/9/18
- Phantom: ELI 4.0; Type: QDOVA001BA; Serial: 1029
- Measurement SW: DASY5, V5.0 Build 125; SEMCAD X Version 13.4 Build 125

Pin=100mW/Area Scan (91x91x1): Measurement grid: dx=10mm, dy=10mm

Maximum value of SAR (interpolated) = 5.5 mW/g

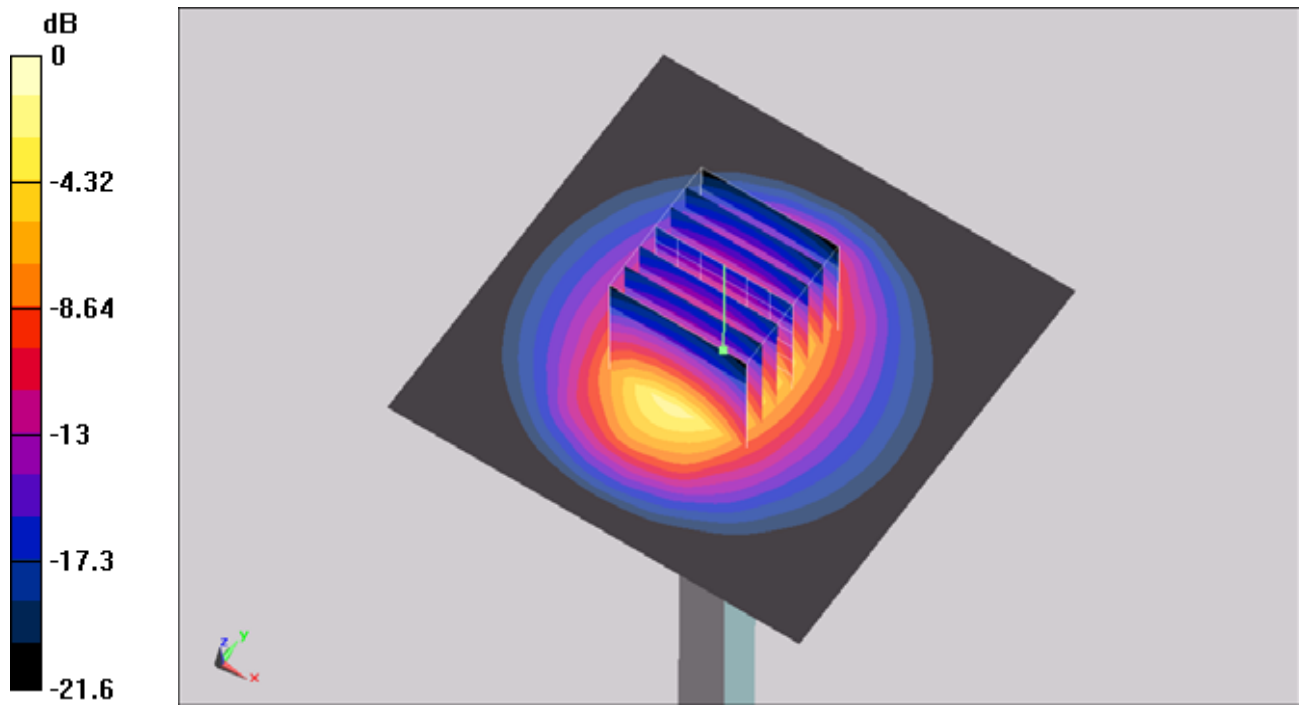
Pin=100mW/Zoom Scan (7x7x7)/Cube 0: Measurement grid: dx=5mm, dy=5mm, dz=5mm

Reference Value = 53.1 V/m; Power Drift = 0.010 dB

Peak SAR (extrapolated) = 10.9 W/kg

SAR(1 g) = 4.81 mW/g; SAR(10 g) = 2.23 mW/g

Maximum value of SAR (measured) = 5.36 mW/g



0 dB = 5.36mW/g

System Check_2450MHz_100524

DUT: Dipole 2450 MHz

Communication System: CW; Frequency: 2450 MHz; Duty Cycle: 1:1

Medium: MSL_2450_100524 Medium parameters used: $f = 2450$ MHz; $\sigma = 2$ mho/m; $\epsilon_r = 54$; $\rho = 1000$ kg/m³

Ambient Temperature : 22.4 °C ; Liquid Temperature : 21.6 °C

DASY4 Configuration:

- Probe: ET3DV6 - SN1788; ConvF(3.98, 3.98, 3.98); Calibrated: 2008/9/23
- Sensor-Surface: 4mm (Mechanical Surface Detection)
- Electronics: DAE3 Sn577; Calibrated: 2009/8/24
- Phantom: ELI 4.0_Front; Type: QDOVA001BB; Serial: 1026
- Measurement SW: DASY4, V4.7 Build 80; Postprocessing SW: SEMCAD, V1.8 Build 186

Pin=100mW/Area Scan (91x91x1): Measurement grid: dx=10mm, dy=10mm

Maximum value of SAR (interpolated) = 6.67 mW/g

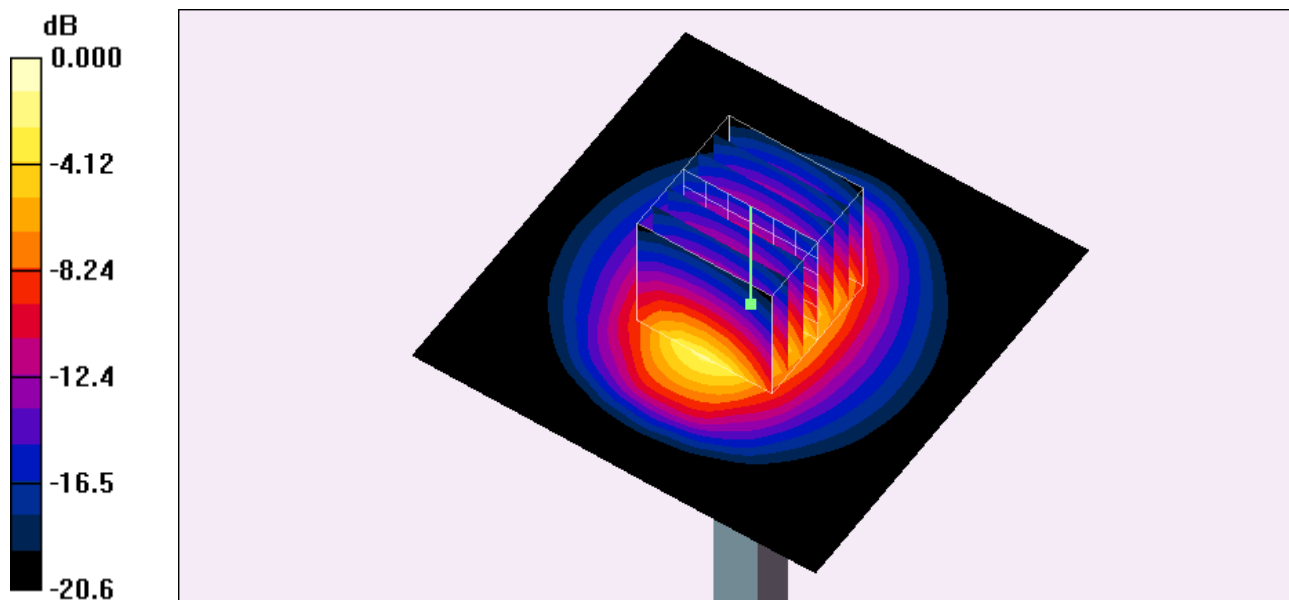
Pin=100mW/Zoom Scan (7x7x7)/Cube 0: Measurement grid: dx=5mm, dy=5mm, dz=5mm

Reference Value = 59.3 V/m; Power Drift = 0.014 dB

Peak SAR (extrapolated) = 12.0 W/kg

SAR(1 g) = 5.67 mW/g; SAR(10 g) = 2.68 mW/g

Maximum value of SAR (measured) = 6.41 mW/g



0 dB = 6.41mW/g

System Check_5200MHz_100522

DUT: Dipole 5GHz

Communication System: CW; Frequency: 5200 MHz; Duty Cycle: 1:1

Medium: MSL_5G_100522 Medium parameters used: $f = 5200$ MHz; $\sigma = 5.11$ mho/m; $\epsilon_r = 47.4$; $\rho = 1000$ kg/m³

Ambient Temperature : 22.6 °C ; Liquid Temperature : 21.4 °C

DASY4 Configuration:

- Probe: EX3DV3 - SN3514; ConvF(4.27, 4.27, 4.27); Calibrated: 2010/1/26
- Sensor-Surface: 2.5mm (Mechanical Surface Detection)
- Electronics: DAE3 Sn577; Calibrated: 2009/8/24
- Phantom: ELI 4.0_Front; Type: QDOVA001BB; Serial: 1026
- Measurement SW: DASY4, V4.7 Build 80; Postprocessing SW: SEMCAD, V1.8 Build 186

Pin=100mW/Area Scan (91x91x1): Measurement grid: dx=10mm, dy=10mm

Maximum value of SAR (interpolated) = 13.8 mW/g

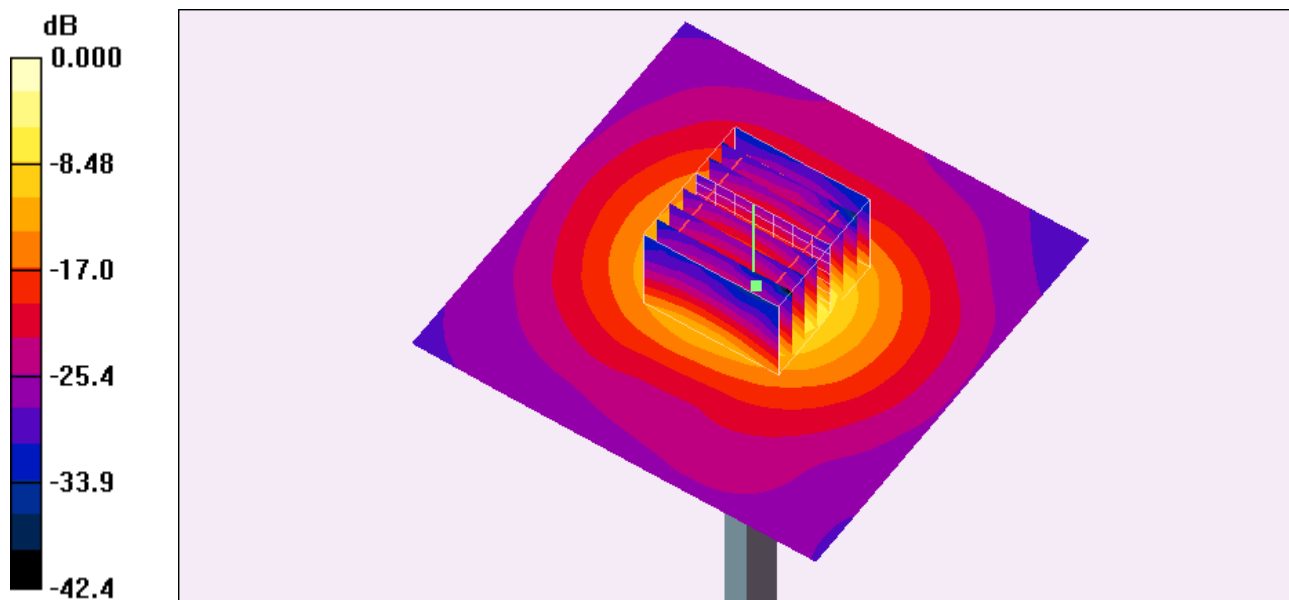
Pin=100mW/Zoom Scan (8x8x8)/Cube 0: Measurement grid: dx=4.3mm, dy=4.3mm, dz=3mm

Reference Value = 53.8 V/m; Power Drift = -0.103 dB

Peak SAR (extrapolated) = 27.1 W/kg

SAR(1 g) = 7.53 mW/g; SAR(10 g) = 2.16 mW/g

Maximum value of SAR (measured) = 12.9 mW/g



0 dB = 12.9mW/g

System Check_5200MHz_100523

DUT: Dipole 5GHz

Communication System: CW; Frequency: 5200 MHz; Duty Cycle: 1:1

Medium: MSL_5G_100523 Medium parameters used: $f = 5200$ MHz; $\sigma = 5.34$ mho/m; $\epsilon_r = 47.5$; $\rho = 1000$ kg/m³

Ambient Temperature : 22.7 °C; Liquid Temperature : 21.1 °C

DASY4 Configuration:

- Probe: EX3DV3 - SN3514; ConvF(4.27, 4.27, 4.27); Calibrated: 2010/1/26
- Sensor-Surface: 2.5mm (Mechanical Surface Detection)
- Electronics: DAE3 Sn577; Calibrated: 2009/8/24
- Phantom: ELI 4.0_Front; Type: QDOVA001BB; Serial: 1026
- Measurement SW: DASY4, V4.7 Build 80; Postprocessing SW: SEMCAD, V1.8 Build 186

Pin=100mW/Area Scan (91x91x1): Measurement grid: dx=10mm, dy=10mm

Maximum value of SAR (interpolated) = 13.3 mW/g

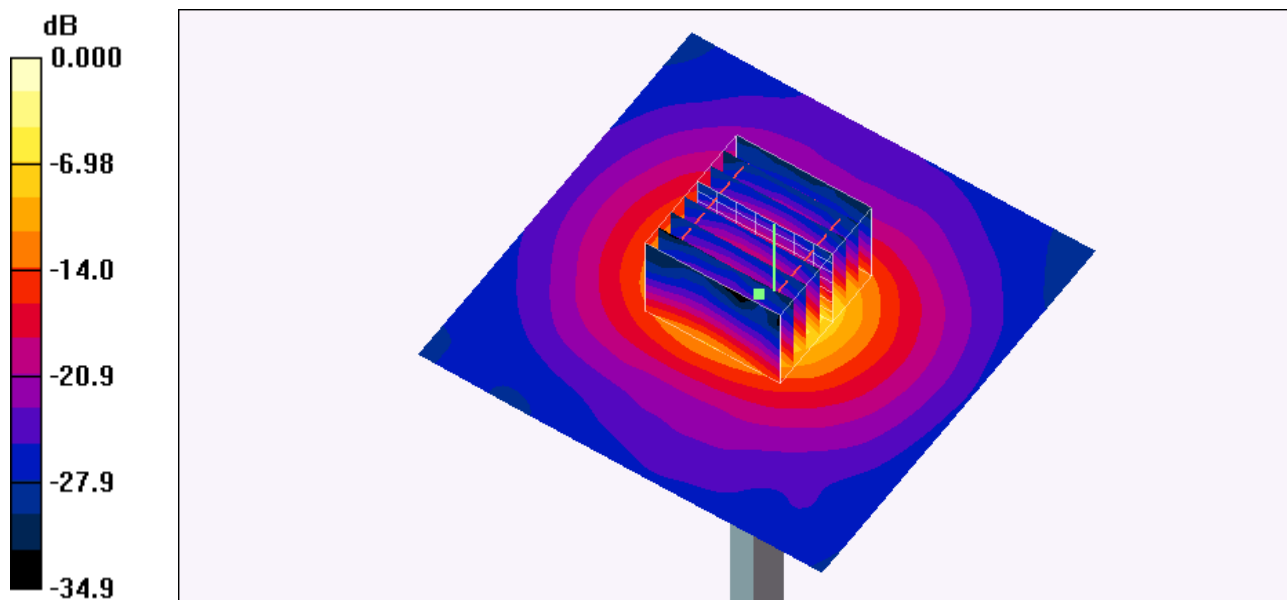
Pin=100mW/Zoom Scan (8x8x8)/Cube 0: Measurement grid: dx=4.3mm, dy=4.3mm, dz=3mm

Reference Value = 51.4 V/m; Power Drift = 0.025 dB

Peak SAR (extrapolated) = 26.7 W/kg

SAR(1 g) = 7.5 mW/g; SAR(10 g) = 2.12 mW/g

Maximum value of SAR (measured) = 13.0 mW/g



0 dB = 13.0mW/g

System Check_5500MHz_100523

DUT: Dipole 5GHz

Communication System: CW; Frequency: 5500 MHz; Duty Cycle: 1:1

Medium: MSL_5G_100523 Medium parameters used: $f = 5500 \text{ MHz}$; $\sigma = 5.73 \text{ mho/m}$; $\epsilon_r = 46.9$; $\rho = 1000 \text{ kg/m}^3$

Ambient Temperature : 22.6 °C ; Liquid Temperature : 21.1 °C

DASY4 Configuration:

- Probe: EX3DV3 - SN3514; ConvF(3.86, 3.86, 3.86); Calibrated: 2010/1/26
- Sensor-Surface: 2.5mm (Mechanical Surface Detection)
- Electronics: DAE3 Sn577; Calibrated: 2009/8/24
- Phantom: ELI 4.0_Front; Type: QDOVA001BB; Serial: 1026
- Measurement SW: DASY4, V4.7 Build 80; Postprocessing SW: SEMCAD, V1.8 Build 186

Pin=100mW/Area Scan (91x91x1): Measurement grid: dx=10mm, dy=10mm

Maximum value of SAR (interpolated) = 14.4 mW/g

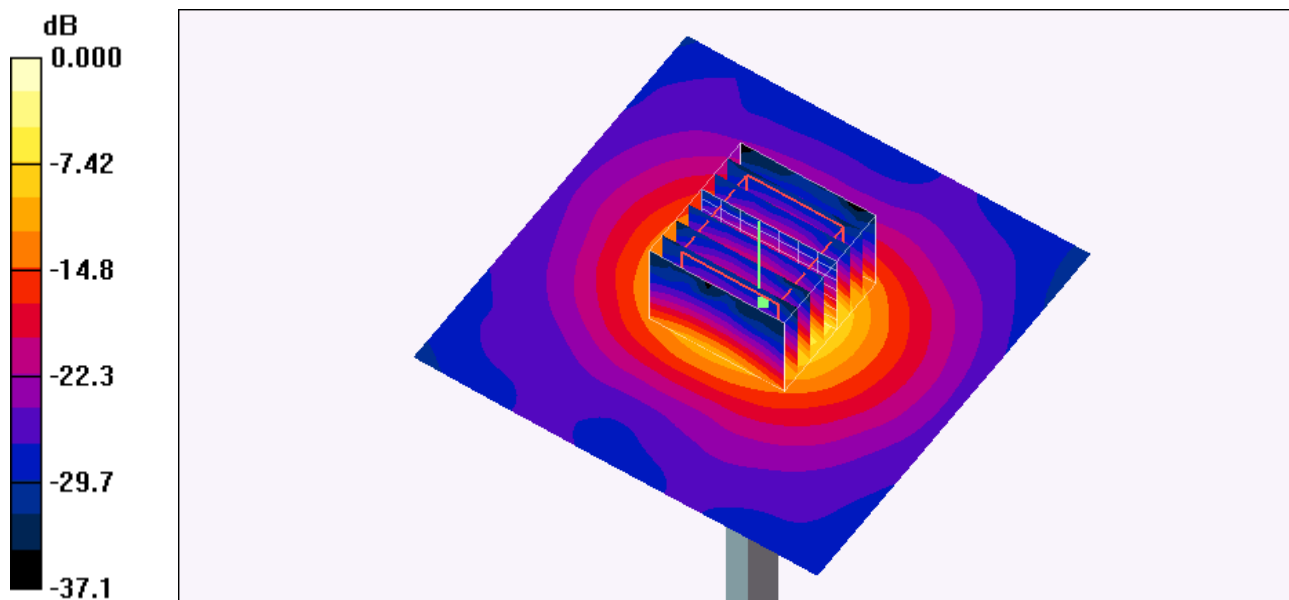
Pin=100mW/Zoom Scan (8x8x8)/Cube 0: Measurement grid: dx=4.3mm, dy=4.3mm, dz=3mm

Reference Value = 52.5 V/m; Power Drift = -0.045 dB

Peak SAR (extrapolated) = 29.1 W/kg

SAR(1 g) = 7.88 mW/g; SAR(10 g) = 2.23 mW/g

Maximum value of SAR (measured) = 13.2 mW/g



0 dB = 13.2mW/g

System Check_5500MHz_100524

DUT: Dipole 5GHz

Communication System: CW; Frequency: 5500 MHz; Duty Cycle: 1:1

Medium: MSL_5G_100524 Medium parameters used: $f = 5500$ MHz; $\sigma = 5.49$ mho/m; $\epsilon_r = 47$; $\rho = 1000$ kg/m³

Ambient Temperature : 22.5 °C; Liquid Temperature : 21.4 °C

DASY4 Configuration:

- Probe: EX3DV3 - SN3514; ConvF(3.86, 3.86, 3.86); Calibrated: 2010/1/26
- Sensor-Surface: 2.5mm (Mechanical Surface Detection)
- Electronics: DAE3 Sn577; Calibrated: 2009/8/24
- Phantom: ELI 4.0_Front; Type: QDOVA001BB; Serial: 1026
- Measurement SW: DASY4, V4.7 Build 80; Postprocessing SW: SEMCAD, V1.8 Build 186

Pin=100mW/Area Scan (91x91x1): Measurement grid: dx=10mm, dy=10mm

Maximum value of SAR (interpolated) = 13.7 mW/g

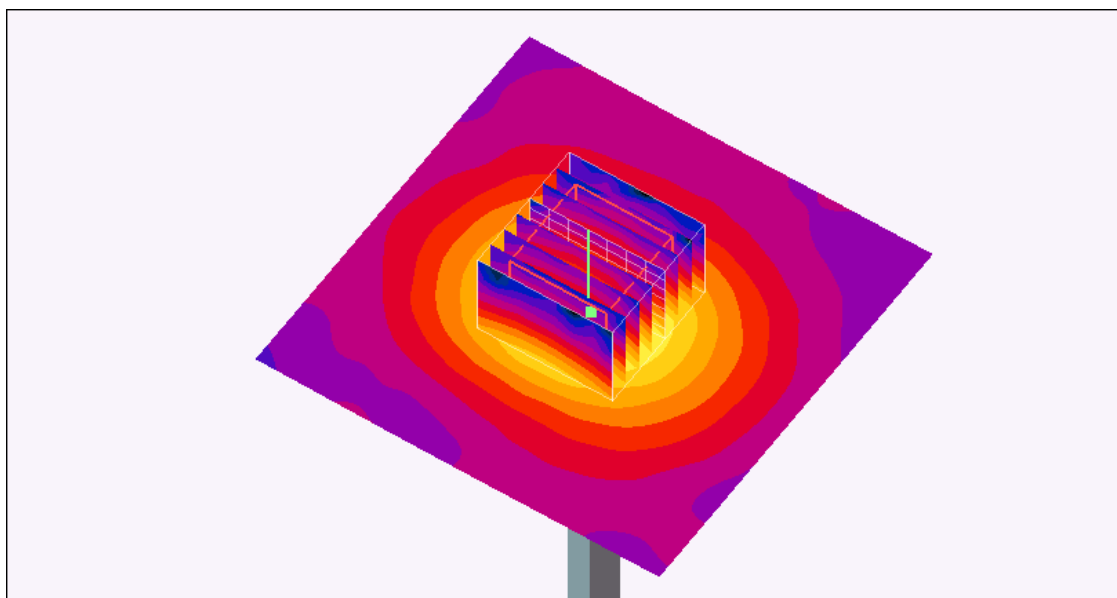
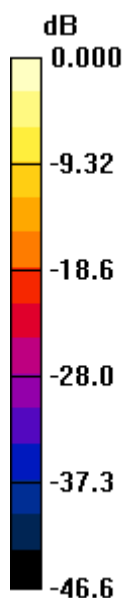
Pin=100mW/Zoom Scan (8x8x8)/Cube 0: Measurement grid: dx=4.3mm, dy=4.3mm, dz=3mm

Reference Value = 55.3 V/m; Power Drift = -0.009 dB

Peak SAR (extrapolated) = 29.5 W/kg

SAR(1 g) = 7.88 mW/g; SAR(10 g) = 2.21 mW/g

Maximum value of SAR (measured) = 13.2 mW/g



0 dB = 13.2mW/g

System Check_5800MHz_100524

DUT: Dipole 5GHz

Communication System: CW; Frequency: 5800 MHz; Duty Cycle: 1:1

Medium: MSL_5G_100524 Medium parameters used: $f = 5800$ MHz; $\sigma = 5.96$ mho/m; $\epsilon_r = 46.5$; $\rho = 1000$ kg/m³

Ambient Temperature : 22.3 °C; Liquid Temperature : 21.4 °C

DASY4 Configuration:

- Probe: EX3DV3 - SN3514; ConvF(3.9, 3.9, 3.9); Calibrated: 2010/1/26
- Sensor-Surface: 2.5mm (Mechanical Surface Detection)
- Electronics: DAE3 Sn577; Calibrated: 2009/8/24
- Phantom: ELI 4.0_Front; Type: QDOVA001BB; Serial: 1026
- Measurement SW: DASY4, V4.7 Build 80; Postprocessing SW: SEMCAD, V1.8 Build 186

Pin=100mW/Area Scan (91x91x1): Measurement grid: dx=10mm, dy=10mm

Maximum value of SAR (interpolated) = 12.1 mW/g

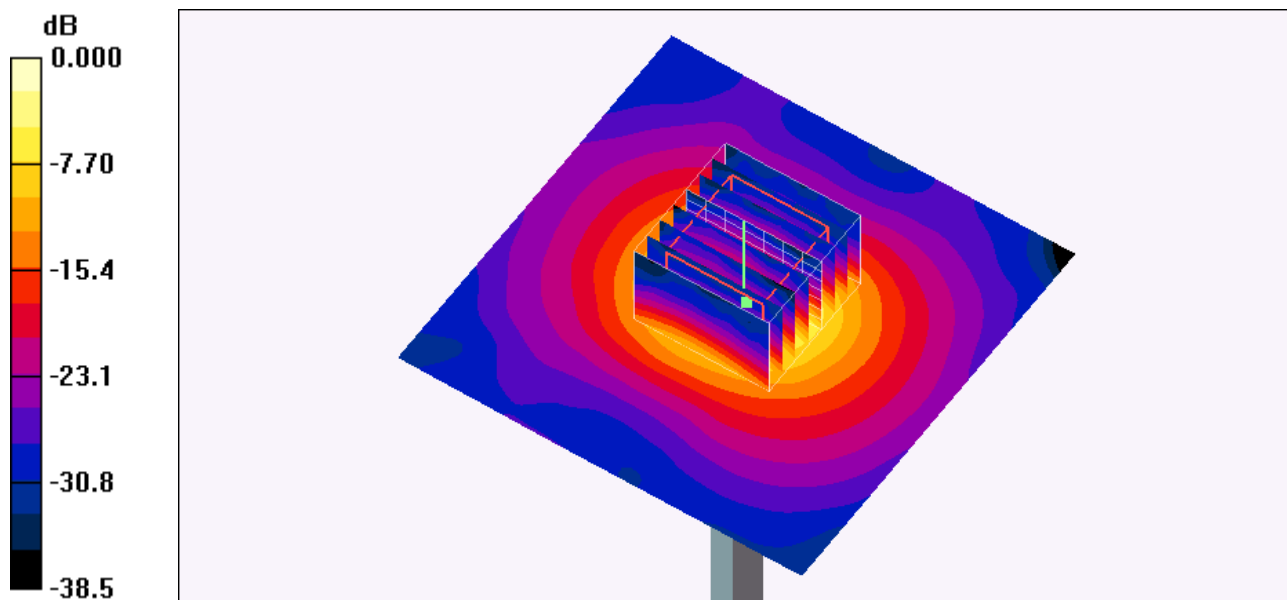
Pin=100mW/Zoom Scan (8x8x8)/Cube 0: Measurement grid: dx=4.3mm, dy=4.3mm, dz=3mm

Reference Value = 48.4 V/m; Power Drift = -0.020 dB

Peak SAR (extrapolated) = 26.3 W/kg

SAR(1 g) = 6.89 mW/g; SAR(10 g) = 1.95 mW/g

Maximum value of SAR (measured) = 11.6 mW/g



0 dB = 11.6mW/g