



| | | | | |
|--|---|--|---|---|
| Prüfbericht-Nr.: <i>Test report no.:</i> | CN232OYL (FCC-SAR) 001 | Auftrags-Nr.: <i>Order no.:</i> | 48224241 | Seite 1 von 50 <i>Page 1 of 50</i> |
| Kunden-Referenz-Nr.: <i>Client reference no.:</i> | N/A | Auftragsdatum: <i>Order date:</i> | 2023-09-23 | |
| Auftraggeber: <i>Client:</i> | Getac Technology Corporation. 5F., Building A, No. 209, Sec.1, Nangang Rd., Nangang Dist., Taipei City 11568, Taiwan, R.O.C. | | | |
| Prüfgegenstand: <i>Test item:</i> | Tablet PC | | | |
| Bezeichnung / Typ-Nr.: <i>Identification / Type no.:</i> | F110, F110-501 | | | |
| Auftrags-Inhalt: <i>Order content:</i> | Test Report for FCC SAR | | | |
| Prüfgrundlage: <i>Test specification:</i> | FCC 47 CFR §2.1093 IEEE Std 1528-2013 IEC/IEEE 62209-1528:2020 Published RF exposure KDB procedures | | | |
| Wareneingangsdatum: <i>Date of sample receipt:</i> | 2023-09-26 | | | |
| Prüfmuster-Nr.: <i>Test sample no.:</i> | A003570410-002 | | | |
| Prüfzeitraum: <i>Testing period:</i> | 2023-10-02 - 2023-10-13 | | | |
| Ort der Prüfung: <i>Place of testing:</i> | EMC/RF Taipei Testing Site | | | |
| Prüflaboratorium: <i>Testing laboratory:</i> | Taipei Testing Laboratories | | | |
| Prüfergebnis*: <i>Test result*:</i> | Pass | | | |
| zusammengestellt von: <i>compiled by:</i> | | genehmigt von: <i>authorized by:</i> | | |
| Datum: <i>Date:</i> | 2023-10-17 | Ausstellungsdatum: <i>Issue date:</i> | 2023-10-17 | |
| Stellung / Position: | Morrison Huang Project Engineer | Stellung / Position: | Brenda Chen Senior Project Manager | |
| Sonstiges / Other: | | | | |
| Zustand des Prüfgegenstandes bei Anlieferung: <i>Condition of the test item at delivery:</i> | Prüfmuster vollständig und unbeschädigt <i>Test item complete and undamaged</i> | | | |
| * Legende: | 1 = sehr gut P(ass) = entspricht o.g. Prüfgrundlage(n) | 2 = gut F(ail) = entspricht nicht o.g. Prüfgrundlage(n) | 3 = befriedigend N/A = nicht anwendbar | 4 = ausreichend N/T = nicht getestet |
| * Legend: | 1 = very good P(ass) = passed a.m. test specification(s) | 2 = good F(ail) = failed a.m. test specification(s) | 3 = satisfactory N/A = not applicable | 4 = sufficient N/T = not tested |
| Dieser Prüfbericht bezieht sich nur auf das o.g. Prüfmuster und darf ohne Genehmigung der Prüfstelle nicht auszugsweise vervielfältigt werden. Dieser Bericht berechtigt nicht zur Verwendung eines Prüfzeichens. <i>This test report only relates to the a. m. test sample. Without permission of the test center this test report is not permitted to be duplicated in extracts. This test report does not entitle to carry any test mark.</i> | | | | |

CONTENTS

| | |
|---|-----------|
| HISTORY OF THIS TEST REPORT | 4 |
| 1. GENERAL INFORMATION | 5 |
| 1.1 STATEMENT OF COMPLIANCE | 5 |
| 1.2 EQUIPMENT UNDER TEST (EUT) INFORMATION | 6 |
| 1.2.1 GENERAL INFORMATION | 6 |
| 1.2.2 WIRELESS TECHNOLOGIES | 6 |
| 1.3 MAXIMUM CONDUCTED POWER | 7 |
| 2. TEST SITES | 8 |
| 2.1 TEST LABORATORY | 8 |
| 2.2 TEST FACILITIES | 8 |
| 2.3 LIST OF TEST AND MEASUREMENT INSTRUMENTS | 9 |
| 3. MEASUREMENT UNCERTAINTY | 10 |
| 4. TEST SPECIFICATION, METHODS AND PROCEDURES..... | 12 |
| 5. RF EXPOSURE LIMITS..... | 13 |
| 5.1 UNCONTROLLED ENVIRONMENT | 13 |
| 5.2 CONTROLLED ENVIRONMENT..... | 13 |
| 6. SAR MEASUREMENT SYSTEM..... | 14 |
| 6.1 DEFINITION OF SPECIFIC ABSORPTION RATE (SAR)..... | 14 |
| 6.2 SPEAG DASY SYSTEM..... | 14 |
| 6.2.1 ROBOT..... | 15 |
| 6.2.2 PROBES | 16 |
| 6.2.3 DATA ACQUISITION ELECTRONICS (DAE)..... | 16 |
| 6.2.4 PHANTOMS..... | 17 |
| 6.2.5 DEVICE HOLDER | 18 |
| 6.2.6 SYSTEM VALIDATION DIPOLES | 18 |
| 6.2.7 TISSUE SIMULATING LIQUIDS | 19 |
| 7. SAR MEASUREMENT PROCEDURE | 20 |
| 7.1 AREA & ZOOM SCAN PROCEDURE | 20 |
| 7.2 VOLUME SCAN PROCEDURE..... | 20 |
| 7.3 POWER DRIFT MONITORING | 21 |
| 7.4 SPATIAL PEAK SAR EVALUATION..... | 21 |
| 7.5 SAR AVERAGED METHODS | 21 |
| 8. SAR MEASUREMENT EVALUATION | 22 |
| 8.1 EUT CONFIGURATION AND SETTING | 22 |
| 8.2 EUT TESTING POSITION..... | 24 |
| 8.2.1 BODY AND EXTREMITY EXPOSURE CONDITIONS..... | 24 |
| 8.2.2 ANTENNA LOCATION..... | 24 |
| 8.3 SIMULTANEOUS TRANSMISSION POSSIBILITIES | 24 |

| | | |
|-----------|--|-----------|
| 8.4 | TISSUE VERIFICATION | 25 |
| 8.5 | SYSTEM VALIDATION..... | 26 |
| | SYSTEM CHECK PROCEDURE..... | 26 |
| 8.6 | SYSTEM VERIFICATION..... | 27 |
| 8.7 | MAXIMUM OUTPUT POWER..... | 28 |
| 8.7.1 | MEASURED CONDUCTED POWER RESULT | 28 |
| 8.8 | SAR TESTING RESULTS..... | 46 |
| 8.8.1 | SAR TEST REDUCTION CONSIDERATIONS | 46 |
| 8.8.2 | SAR RESULTS FOR BODY EXPOSURE CONDITION (SEPARATION DISTANCE IS 10MM GAP)..... | 47 |
| 8.8.3 | SAR MEASUREMENT VARIABILITY | 48 |
| 8.8.4 | SAR RESULTS FOR REPEAT TEST (SEPARATION DISTANCE IS 0MM GAP)..... | 48 |
| 8.8.5 | SIMULTANEOUS MULTI-BAND TRANSMISSION EVALUATION..... | 49 |
| 9. | APPENDIXES | 50 |

APPENDIX A – SAR PLOTS OF SYSTEM VERIFICATION**APPENDIX B – SAR PLOTS OF SAR MEASUREMENT****APPENDIX C – CALIBRATION CERTIFICATE FOR PROBE AND DIPOLE****APPENDIX D – PHOTOGRAPHS OF THE TEST SET-UP**

Prüfbericht - Nr.: CN232OYL (FCC-SAR) 001
Test Report No.**Seite 4 von 50**
Page 4 of 50

HISTORY OF THIS TEST REPORT

| Report No. | Description | Date Issued |
|------------|------------------|-------------|
| R01 | Original Release | 2023-10-17 |

1. General Information

1.1 Statement of Compliance

The maximum results of Specific Absorption Rate (SAR) found during testing for the EUT are as follows:

| Equipment Class | Operating Mode | Highest Reported Body-worn SAR _{1g} (0 cm Gap) 1g (W/kg) | Highest Simultaneous Transmission (0 cm Gap) 1g (W/kg) |
|-----------------|----------------|---|--|
| DTS | 2.4GHz WLAN | 0.956 | 1.272 |
| NII | 5.2GHz WLAN | 1.187 | 1.304 |
| DSS | Bluetooth | 0.051 | 1.304 |

Note:

The maximum results of Specific Absorption Rate (SAR) found during testing for the EUT are as follows: This device is in compliance with Specific Absorption Rate (SAR) for general population/uncontrolled exposure limits (1.6W/kg as averaged over any 1 gram of tissue; 10-gram SAR for Product Specific 10g SAR, limit: 4.0W/kg) specified in FCC 47 CFR part 2 (2.1093) and ANSI/IEEE C95.1-1992, and had been tested in accordance with the measurement methods and procedures specified in IEEE 1528-2013 and FCC KDB publications.

1.2 Equipment Under Test (EUT) Information

1.2.1 General Information

| | |
|---------------|--|
| EUT Type | Tablet PC |
| Model Name | F110,F110-501 |
| FCC ID | QYLAX201NG |
| Antenna Type | PIFA Antenna |
| Antenna Gain: | WLAN 2.4GHz: 1.83 dBi (Ant 1), 1.86 dBi (Ant 2) WLAN U-NII 1: 0.58 dBi (Ant 1), 2.15 dBi (Ant 2) WLAN U-NII 2: 0.58 dBi (Ant 1), 2.07 dBi (Ant 2) WLAN U-NII 3: 0.8 dBi (Ant 1), 1.74 dBi (Ant 2) WLAN U-NII 4: 1.11 dBi (Ant 1), 1.4 dBi (Ant 2) Bluetooth: 1.83 dBi |

Note:

- All models are listed as below.

| Main Model | Series Model | Difference |
|------------|--------------|--|
| F110 | F110-501 | The purpose of model naming differences is for market segmentation purpose only. |

1.2.2 Wireless Technologies

| | |
|---|---|
| Wireless Technology and Frequency Range (Unit: MHz) | WLAN 2.4GHz Band: 2400 MHz ~ 2483.5 MHz WLAN U-NII 1: 5150 MHz ~ 5250 MHz WLAN U-NII 2: 5250 MHz ~ 5350 MHz WLAN U-NII 3: 5470 MHz ~ 5725 MHz WLAN U-NII 4: 5745 MHz ~ 5825 MHz Bluetooth: 2402 ~ 2480 |
| Uplink Modulations | 802.11b: DSSS 802.11a/g/n/ac/ax: OFDM Bluetooth: GFSK, $\pi/4$ -DQPSK, 8-DPSK Bluetooth LE: GFSK |

1.3 Maximum Conducted Power

The maximum conducted average power (Unit: dBm) including tune-up tolerance is shown as below.

| Mode | 2.4G WLAN | | | 5.2G WLAN | | | 5.3G WLAN | | |
|-----------------|--------------|--------------|------|--------------|--------------|------|--------------|--------------|------|
| | Ant 1 (Aux.) | Ant 2 (Main) | MIMO | Ant 1 (Aux.) | Ant 2 (Main) | MIMO | Ant 1 (Aux.) | Ant 2 (Main) | MIMO |
| 802.11a | -- | -- | -- | 16.5 | 19.0 | -- | 16.5 | 19.0 | -- |
| 802.11b | 21.0 | 19.5 | -- | -- | -- | -- | -- | -- | -- |
| 802.11g | 21.0 | 19.5 | -- | -- | -- | -- | -- | -- | -- |
| 802.11n HT20 | 20.5 | 19.5 | 20.5 | 16.5 | 19.0 | 19.0 | 16.5 | 19.0 | 19.0 |
| 802.11n HT40 | 17.0 | 16.5 | 17.5 | 16.5 | 19.0 | 19.0 | 16.5 | 19.0 | 19.0 |
| 802.11ac VHT20 | -- | -- | -- | 16.5 | 19.0 | 19.0 | 16.5 | 19.0 | 19.0 |
| 802.11ac VHT40 | -- | -- | -- | 16.5 | 19.0 | 19.0 | 16.5 | 19.0 | 19.0 |
| 802.11ac VHT80 | -- | -- | -- | 16.5 | 19.0 | 19.0 | 16.5 | 17.5 | 17.0 |
| 802.11ac VHT160 | -- | -- | -- | -- | -- | -- | 15.0 | 15.0 | 15.0 |
| 802.11ax HE20 | 20.0 | 19.5 | 20.0 | 16.5 | 19.0 | 19.0 | 16.5 | 19.0 | 19.0 |
| 802.11ax HE40 | 16.5 | 16.5 | 17.5 | 16.5 | 19.0 | 19.0 | 16.5 | 19.0 | 19.0 |
| 802.11ax HE80 | -- | -- | -- | 16.5 | 19.0 | 18.5 | 16.5 | 17.5 | 17.0 |
| 802.11ax HE160 | -- | -- | -- | -- | -- | -- | 15.0 | 15.0 | 15.5 |

| Mode | 5.6G WLAN | | | 5.8G WLAN | | |
|-----------------|--------------|--------------|------|--------------|--------------|------|
| | Ant 1 (Aux.) | Ant 2 (Main) | MIMO | Ant 1 (Aux.) | Ant 2 (Main) | MIMO |
| 802.11a | 17.5 | 21.0 | -- | 16.0 | 20.0 | -- |
| 802.11b | -- | -- | -- | -- | -- | -- |
| 802.11g | -- | -- | -- | -- | -- | -- |
| 802.11n HT20 | 17.5 | 21.0 | 21.0 | 16.0 | 20.0 | 20.0 |
| 802.11n HT40 | 17.5 | 21.0 | 21.0 | 16.0 | 20.0 | 20.0 |
| 802.11ac VHT20 | 17.5 | 21.0 | 21.0 | 16.0 | 20.0 | 20.0 |
| 802.11ac VHT40 | 17.5 | 21.0 | 21.0 | 16.0 | 20.0 | 20.0 |
| 802.11ac VHT80 | 17.5 | 21.0 | 21.0 | 16.0 | 19.5 | 19.5 |
| 802.11ac VHT160 | 14.5 | 15 | 15 | -- | -- | -- |
| 802.11ax HE20 | 17.5 | 21.0 | 21.0 | 16.0 | 20.0 | 20.0 |
| 802.11ax HE40 | 17.5 | 21.0 | 21.0 | 16.0 | 20.0 | 20.0 |
| 802.11ax HE80 | 17.5 | 21.0 | 21.0 | 16.0 | 19.0 | 19.0 |
| 802.11ax HE160 | 14.5 | 14.5 | 15 | -- | -- | -- |

| Mode | 2.4G Bluetooth |
|----------------|----------------|
| GFSK | 10.0 |
| $\pi/4$ -DQPSK | 9.0 |
| 8DPSK | 9.5 |
| LE | 7.0 |

2. Test Sites

2.1 Test Laboratory

Taipei Testing Laboratories

11F., No. 758, Sec. 4, Bade Rd., Songshan Dist., Taipei City 105 Taiwan (R.O.C.)

2.2 Test Facilities

Taipei Testing Laboratories

No. 458-18, Sec. 2, Fenliao Rd., Linkou Dist., New Taipei City 244 Taiwan (R.O.C.)

The tests at the test sites have been conducted under the supervision of a TÜV engineer.

2.3 List of Test and Measurement Instruments

| Equipment | Manufacturer | Model | SN | Cal. Date | Cal. Interval |
|------------------------------|--------------------|-------------|----------------|------------|---------------|
| E-field probes | SPEAG | EX3DV4 | 7400 | 2023/4/28 | 1 Year |
| Data Acquisition Electronics | SPEAG | DAE4 | 855 | 2023/4/25 | 1 Year |
| System Validation Dipole | SPEAG | D2450V2 | 804 | 2023/3/21 | 1 Year |
| System Validation Dipole | SPEAG | D5GHzV2 | 1235 | 2023/3/20 | 1 Year |
| ENA | Agilent | E5080A | MY55200677 | 2023/1/7 | 1 Year |
| Power Meter | Anritsu | ML2495A | 1901008 | 2023/3/17 | 1 Year |
| Power Sensor | Anritsu | MA2411B | 1725269 | 2023/3/17 | 1 Year |
| Power Sensor | R&S | NRP33S | 101622 | 2023/3/21 | 1 Year |
| Signal Analyzer | R&S | FSV40 | 101512 | 2023/2/23 | 1 Year |
| Signal Generator | R&S | SMB100A03 | 181334 | 2023/2/22 | 1 Year |
| Digital Thermometer | Testo | 608-H1 | 45197159 | 2022/11/25 | 1 Year |
| Directional coupler | Fairview Microwave | FMCP1025-20 | A000553136-001 | N/A | N/A |
| Dielectric Assessment Kit | SPEAG | DAK-3.5 | 1292 | N/A | N/A |
| ELI Phantom | SPEAG | QDOVA002AA | 1153 | N/A | N/A |
| Power Amplifier | EMCI | EMC2830P | 980352 | N/A | N/A |
| Power Amplifier | mini-circuits | ZHL-42W | SN002101809 | N/A | N/A |

3. Measurement Uncertainty

The component of uncertainty may generally be categorized according to the methods used to evaluate them. The evaluation of uncertainty by the statistical analysis of a series of observations is termed a Type A evaluation of uncertainty. The evaluation of uncertainty by means other than the statistical analysis of a series of observation is termed a Type B evaluation of uncertainty. Each component of uncertainty, however evaluated, is represented by an estimated standard deviation, termed standard uncertainty, which is determined by the positive square root of the estimated variance.

A Type A evaluation of standard uncertainty may be based on any valid statistical method for treating data. This includes calculating the standard deviation of the mean of a series of independent observations; using the method of least squares to fit a curve to the data in order to estimate the parameter of the curve and their standard deviations; or carrying out an analysis of variance in order to identify and quantify random effects in certain kinds of measurement.

A type B evaluation of standard uncertainty is typically based on scientific judgment using all of the relevant information available. These may include previous measurement data, experience, and knowledge of the behavior and properties of relevant materials and instruments, manufacture's specification, data provided in calibration reports and uncertainties assigned to reference data taken from handbooks. Broadly speaking, the uncertainty is either obtained from an outdoor source or obtained from an assumed distribution, such as the normal distribution, rectangular or triangular distributions indicated in table below.

| Uncertainty Distributions | Normal | Rectangular | Triangular | U-Shape |
|---------------------------|--------|--------------|--------------|--------------|
| Multi-plying Factor(a) | 1/k(b) | $1/\sqrt{3}$ | $1/\sqrt{6}$ | $1/\sqrt{2}$ |

- (a) standard uncertainty is determined as the product of the multiplying factor and the estimated range of variations in the measured quantity
- (b) κ is the coverage factor

Standard Uncertainty for Assumed Distribution

The combined standard uncertainty of the measurement result represents the estimated standard deviation of the result. It is obtained by combining the individual standard uncertainties of both Type A and Type B evaluation using the usual "root-sum-squares" (RSS) methods of combining standard deviations by taking the positive square root of the estimated variances.

Expanded uncertainty is a measure of uncertainty that defines an interval about the measurement result within which the measured value is confidently believed to lie. It is obtained by multiplying the combined standard uncertainty by a coverage factor. Typically, the coverage factor ranges from 2 to 3. Using a coverage factor allows the true value of a measured quantity to be specified with a defined probability within the specified uncertainty range. For purpose of this document, a coverage factor two is used, which corresponds to confidence interval of about 95 %. The DASY uncertainty Budget is shown in the following tables.

| SAR Uncertainty Budget According to IEC/IEEE 62209-1528 (Frequency band: 4MHz - 10GHz range) | | | | | | | | |
|--|---|---------------|----------------|------------|------------|-------------|--------------------------|---------------------------|
| Symbol | Input quantity X_i (source of uncertainty) | Unc. Value | Prob. Dist. | Div. | ci (1g) | ci (10g) | Std.Unc. (1g) (±%) | Std.Unc. (10g) (±%) |
| Measurement system errors | | | | | | | | |
| <i>CF</i> | Probe calibration(±%) | 18.6 | N | 2 | 1 | 1 | 9.3 | 9.3 |
| <i>CFdrift</i> | Probe calibration drift(±%) | 1.0 | N | 1 | 1 | 1 | 0.6 | 0.6 |
| <i>LIN</i> | Probe linearity and detection limit(±%) | 4.7 | R | 1.732 | 1 | 1 | 2.7 | 2.7 |
| <i>BBS</i> | Broadband signal(±%) | 3.0 | N | 1 | 1 | 1 | 1.7 | 1.7 |
| <i>ISO</i> | Probe isotropy(±%) | 7.6 | R | 2 | 1 | 1 | 4.4 | 4.4 |
| <i>DAE</i> | Other probe and data acquisition errors(±%) | 0.3 | N | 1.732 | 1 | 1 | 0.2 | 0.2 |
| <i>AMB</i> | RF ambient and noise(±%) | 1.8 | N | 1 | 1 | 1 | 1.8 | 1.8 |
| Δxyz | Probe positioning errors(±mm) | 0.20 | N | 1 | 0.33 | 0.33 | 0.07 | 0.07 |
| <i>DAT</i> | Data processing errors(±%) | 3.5 | N | 1 | 1 | 1 | 3.5 | 3.5 |
| Phantom and device (DUT or validation antenna) errors | | | | | | | | |
| <i>LIQ(σ)</i> | Conductivity (meas.) DAK (±%) | 2.5 | N | 1 | 0.78 | 0.71 | 2.0 | 1.8 |
| <i>LIQ(T_c)</i> | Conductivity (temp.)(±%) | 5 | R | 1.732 | 0.78 | 0.71 | 2.3 | 2.0 |
| <i>EPS</i> | Phantom Permittivity(±%) | 14 | R | 1.732 | 0.5 | 0.5 | 4.0 | 4.0 |
| <i>DIS</i> | Distance DUT - TSL(±%) | 2 | N | 1 | 2 | 2 | 4.0 | 4.0 |
| <i>Dxyz</i> | Device Positioning(±%) | 2 | N | 1 | 1 | 1 | 2.0 | 2.0 |
| <i>H</i> | Device Holder(±%) | 3.4 | N | 1 | 1 | 1 | 3.4 | 3.4 |
| <i>MOD</i> | DUT Modulationm(±%) | 2.4 | R | 1.732 | 1 | 1 | 1.4 | 1.4 |
| <i>TAS</i> | Time-average SAR(±%) | 2.4 | R | 1.732 | 1 | 1 | 1.4 | 1.4 |
| <i>RFdrift</i> | DUT drift(±%) | 5 | N | 1 | 1 | 1 | 5.0 | 5.0 |
| <i>VAL</i> | Val Antenna Unc.(±%) | 0 | N | 1 | 1 | 1 | 0.0 | 0.0 |
| <i>Pin</i> | Unc. Input Power(±%) | 0 | N | 1 | 1 | 1 | 0.0 | 0.0 |
| Corrections to the SAR result | | | | | | | | |
| $C(\epsilon, \sigma)$ | Deviation to Target(±%) | 1.9 | N | 1 | 1 | 0.84 | 1.9 | 1.6 |
| $C(R)$ | SAR scaling(±%) | 0 | R | $\sqrt{3}$ | 1 | 1 | 0.0 | 0.0 |
| $u(\Delta SAR)$ | Combined uncertainty | | | | | | 14.9 | 14.8 |
| | Coverage Factor for 95% | | | | | | K=2 | K=2 |
| <i>U</i> | Expanded uncertainty | | | | | $U =$ | ±29.7 | ±29.6 |

Uncertainty budget for frequency range 4 MHz to 10 GHz

Per KDB865664 D01 SAR Measurement 100 MHz to 6 GHz, when the highest measured 1-g SAR within a frequency band is < 1.5 W/kg, the extensive SAR measurement uncertainty analysis described in IEEE Std 1528-2013 is not required in SAR reports submitted for equipment approval. The equivalent ratio (1.5/1.6) is applied to extremity and occupational exposure conditions.

4. Test Specification, Methods and Procedures

The Specific Absorption Rate (SAR) testing specification, method, and procedure for this device is in accordance with the following standards, the below KDB, IEC/IEEE.

- KDB 865664 D01 SAR Measurement 100 MHz to 6 GHz v01r04
- KDB 865664 D02 RF Exposure Reporting v01r02
- KDB 248227 D01 802 11 Wi-Fi SAR v02r02
- KDB 447498 D01 General RF Exposure Guidance v07
- KDB 616217 D04 SAR for laptop and tablets v01r02

5. RF Exposure Limits

5.1 Uncontrolled Environment

Uncontrolled Environments are defined as locations where there is the exposure of individuals who have no knowledge or control of their exposure. The general population/uncontrolled exposure limits are applicable to situations in which the general public may be exposed or in which persons who are exposed as a consequence of their employment may not be made fully aware of the potential for exposure or cannot exercise control over their exposure. Members of the general public would come under this category when exposure is not employment-related; for example, in the case of a wireless transmitter that exposes persons in its vicinity.

5.2 Controlled Environment

Controlled Environments are defined as locations where there is exposure that may be incurred by persons who are aware of the potential for exposure, (i.e. as a result of employment or occupation). In general, occupational/controlled exposure limits are applicable to situations in which persons are exposed as a consequence of their employment, who have been made fully aware of the potential for exposure and can exercise control over their exposure. The exposure category is also applicable when the exposure is of a transient nature due to incidental passage through a location where the exposure levels may be higher than the general population/uncontrolled limits, but the exposed person is fully aware of the potential for exposure and can exercise control over his or her exposure by leaving the area or by some other appropriate means.

Limits for Occupational/Controlled Exposure (W/kg)

| Whole-Body | Partial-Body | Hands, Wrists, Feet and Ankles |
|------------|--------------|--------------------------------|
| 0.4 | 8.0 | 20.0 |

Limits for General Population/Uncontrolled Exposure (W/kg)

| Whole-Body | Partial-Body | Hands, Wrists, Feet and Ankles |
|------------|--------------|--------------------------------|
| 0.08 | 1.6 | 4.0 |

Whole-Body SAR is averaged over the entire body, partial-body SAR is averaged over any 1 gram of tissue defined as a tissue volume in the shape of a cube. SAR for hands, wrists, feet and ankles is average over any 10 grams of tissue defined as a tissue volume in the shape of a cube.

6. SAR Measurement System

6.1 Definition of Specific Absorption Rate (SAR)

SAR is related to the rate at which energy is absorbed per unit mass in an object exposed to a radio field. The SAR distribution in a biological body is complicated and is usually carried out by experimental techniques or numerical modeling. The standard recommends limits for two tiers of groups, occupational/controlled and general population/uncontrolled, based on a person's awareness and ability to exercise control over his or her exposure. In general, occupational/controlled exposure limits are higher than the limits for general population/uncontrolled.

The SAR definition is the time derivative (rate) of the incremental energy (dW) absorbed by (dissipated in) an incremental mass (dm) contained in a volume element (dv) of a given density (ρ). The equation description is as below:

$$\text{SAR} = \frac{d}{dt} \left(\frac{dW}{dm} \right) = \frac{d}{dt} \left(\frac{dW}{\rho dv} \right)$$

SAR is expressed in units of Watts per kilogram (W/kg)

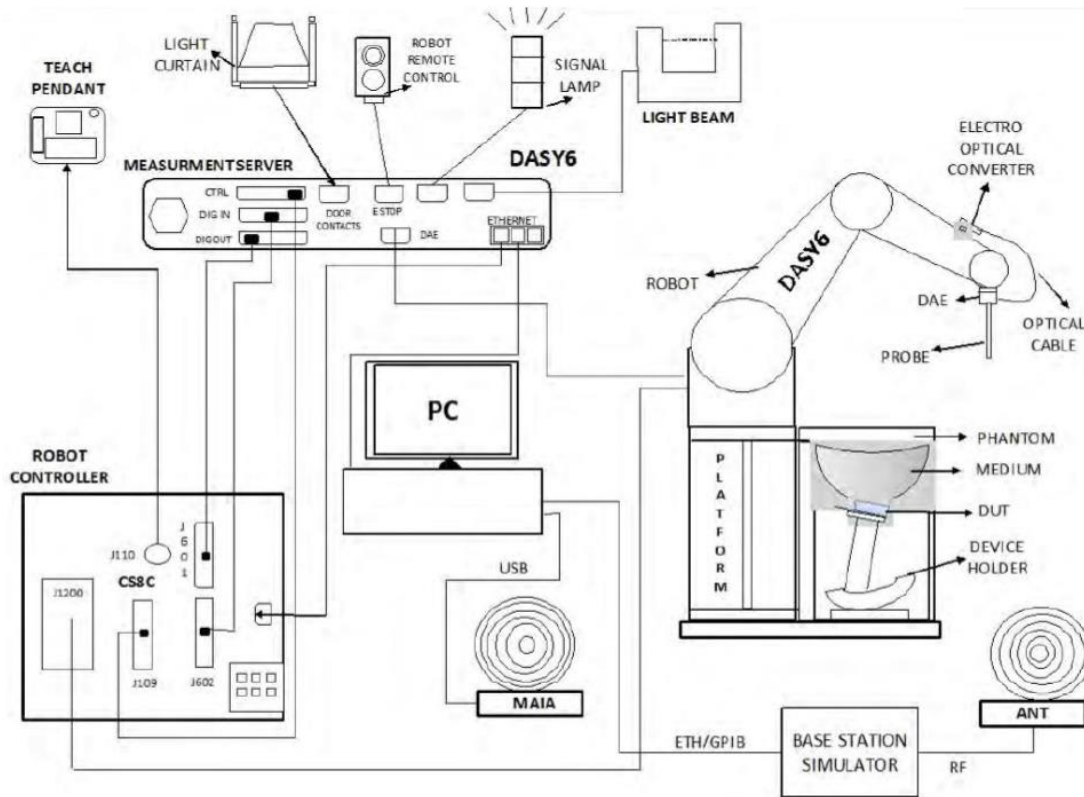
SAR measurement can be related to the electrical field in the tissue by

$$\text{SAR} = \frac{\sigma |E|^2}{\rho}$$

Where: σ is the conductivity of the tissue, ρ is the mass density of the tissue and E is the RMS electrical field strength.

6.2 SPEAG DASY System

DASY system consists of high precision robot, probe alignment sensor, phantom, robot controller, controlled measurement server and near-field probe. The robot includes six axes that can move to the precision position of the DASY5 software defined. The DASY software can define the area that is detected by the probe. The robot is connected to controlled box. Controlled measurement server is connected to the controlled robot box. The DAE includes amplifier, signal multiplexing, AD converter, offset measurement and surface detection. It is connected to the Electro-optical coupler (ECO). The ECO performs the conversion from the optical into digital electric signal of the DAE and transfers data to the PC.



DASY System Setup

6.2.1 Robot

The DASY system uses the high precision robots from Stäubli SA (France). For the 6-axis controller system, the robot controller version (DASY6: CS8c) from Stäubli is used. The Stäubli robot series have many features that are important for our application:


- High precision (repeatability ± 0.035 mm)
- High reliability (industrial design)
- Jerk-free straight movements
- Low ELF interference (the closed metallic construction shields against motor control fields)




DASY6

6.2.2 Probes


The SAR measurement is conducted with the dosimetric probe. The probe is specially designed and calibrated for use in liquid with high permittivity. The dosimetric probe has special calibration in liquid at different frequency.

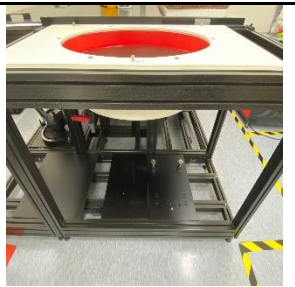
| | | |
|---------------|--|---|
| Model | EX3DV4 |  |
| Construction | Symmetrical design with triangular core. Built-in shielding against static charges. PEEK enclosure material (resistant to organic solvents, e.g., DGBE). | |
| Frequency | 4 MHz to 10 GHz Linearity: ± 0.2 dB | |
| Directivity | ± 0.1 dB in TSL (rotation around probe axis) ± 0.3 dB in TSL (rotation normal to probe axis) | |
| Dynamic Range | 10 μ W/g to 100 mW/g Linearity: ± 0.2 dB (noise: typically < 1 μ W/g) | |
| Dimensions | Overall length: 337 mm (Tip: 20 mm) Tip diameter: 2.5 mm (Body: 12 mm) Typical distance from probe tip to dipole centers: 1 mm | |

6.2.3 Data Acquisition Electronics (DAE)


| | | |
|----------------------|---|---|
| Model | DAE4 |  |
| Construction | Signal amplifier, multiplexer, A/D converter and control logic. Serial optical link for communication with DASY embedded system (fully remote controlled). Two step probe touch detector for mechanical surface detection and emergency robot stop. | |
| Measurement Range | -100 to +300 mV (16 bit resolution and two range settings: 4mV, 400mV) | |
| Input Offset Voltage | $< 5\mu$ V (with auto zero) | |
| Input Bias Current | < 50 fA | |
| Dimensions | 60 x 60 x 68 mm | |

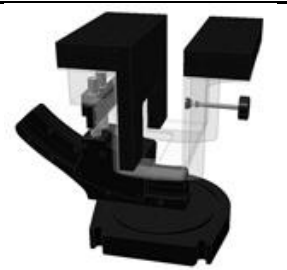
6.2.4 Phantoms

| | | |
|-----------------|---|---|
| Model | Twin SAM |  |
| Construction | The shell corresponds to the specifications of the Specific Anthropomorphic Mannequin (SAM) phantom defined in IEC/IEEE 62209-1528. It enables the dosimetric evaluation of left and right hand phone usage as well as body mounted usage at the flat phantom region. A cover prevents evaporation of the liquid. Reference markings on the phantom allow the complete setup of all predefined phantom positions and measurement grids by teaching three points with the robot. | |
| Material | Vinylester, glass fiber reinforced (VE-GF) | |
| Shell Thickness | 2 ± 0.2 mm (6 ± 0.2 mm at ear point) | |
| Dimensions | Length: 1000 mm Width: 500 mm Height: adjustable feet | |
| Filling Volume | approx. 25 liters | |


| | | |
|-----------------|---|--|
| Model | ELI |  |
| Construction | Phantom for compliance testing of handheld and body-mounted wireless devices in the frequency range of 4 MHz to 10 GHz. ELI is fully compatible with the IEC/IEEE 62209-1528 standard and all known tissue simulating liquids. ELI has been optimized regarding its performance and can be integrated into our standard phantom tables. A cover prevents evaporation of the liquid. Reference markings on the phantom allow installation of the complete setup, including all predefined phantom positions and measurement grids, by teaching three points. The phantom is compatible with all SPEAG dosimetric probes and dipoles. | |
| Material | Vinylester, glass fiber reinforced (VE-GF) | |
| Shell Thickness | 2.0 ± 0.2 mm (bottom plate) | |
| Dimensions | Major axis: 600 mm Minor axis: 400 mm | |
| Filling Volume | approx. 30 liters | |

6.2.5 Device Holder

| | | |
|--------------|---|---|
| Model | Mounting Device |  |
| Construction | In combination with the Twin SAM Phantom or ELI4, the Mounting Device enables the rotation of the mounted transmitter device in spherical coordinates. Rotation point is the ear opening point. Transmitter devices can be easily and accurately positioned according to IEC, IEEE, FCC or other specifications. The device holder can be locked for positioning at different phantom sections (left head, right head, flat). | |
| Material | POM | |

| | | |
|--------------|---|---|
| Model | Laptop Extensions Kit |  |
| Construction | Simple but effective and easy-to-use extension for Mounting Device that facilitates the testing of larger devices according to IEC/IEEE 62209-1528 (e.g., laptops, cameras, etc.). It is lightweight and fits easily on the upper part of the Mounting Device in place of the phone positioner. | |
| Material | POM, Acrylic glass, Foam | |

6.2.6 System Validation Dipoles

| | | |
|------------------|--|---|
| Model | D-Serial |  |
| Construction | Symmetrical dipole with 1/4 balun. Enables measurement of feed point impedance with NWA. Matched for use near flat phantoms filled with tissue simulating solutions. | |
| Frequency | 300 MHz to 10 GHz | |
| Return Loss | > 20 dB | |
| Power Capability | > 100 W (f < 1GHz), > 40 W (f > 1GHz) | |

6.2.7 Tissue Simulating Liquids

For SAR measurement of the field distribution inside the phantom, the phantom must be filled with homogeneous tissue simulating liquid to a depth of at least 15 cm. For head SAR testing, the liquid height from the ear reference point (ERP) of the phantom to the liquid top surface is larger than 15 cm. For body SAR testing, the liquid height from the center of the flat phantom to the liquid top surface is larger than 15 cm. The nominal dielectric values of the tissue simulating liquids in the phantom and the tolerance of 5% are listed.



Photo of Liquid Height for Head Position

The dielectric properties of the head tissue simulating liquids are defined in IEEE 1528 Appendix A.

The workshop effective February 19, 2019, FCC has permitted the use of single head tissue simulating liquid specified in IEC 62209 1 for all SAR tests.

The dielectric properties of the tissue simulating liquids were verified prior to the SAR evaluation using a dielectric assessment kit and a network analyzer.

Targets of Tissue Simulating Liquid

| Frequency (MHz) | Target Permittivity | Range of $\pm 5\%$ | Target Conductivity | Range of $\pm 5\%$ |
|-----------------|---------------------|--------------------|---------------------|--------------------|
| For Head | | | | |
| 750 | 41.9 | 39.8 ~ 44.0 | 0.89 | 0.85 ~ 0.93 |
| 835 | 41.5 | 39.4 ~ 43.6 | 0.90 | 0.86 ~ 0.95 |
| 900 | 41.5 | 39.4 ~ 43.6 | 0.97 | 0.92 ~ 1.02 |
| 1450 | 40.5 | 38.5 ~ 42.5 | 1.20 | 1.14 ~ 1.26 |
| 1640 | 40.3 | 38.3 ~ 42.3 | 1.29 | 1.23 ~ 1.35 |
| 1750 | 40.1 | 38.1 ~ 42.1 | 1.37 | 1.30 ~ 1.44 |
| 1800 | 40.0 | 38.0 ~ 42.0 | 1.40 | 1.33 ~ 1.47 |
| 1900 | 40.0 | 38.0 ~ 42.0 | 1.40 | 1.33 ~ 1.47 |
| 2000 | 40.0 | 38.0 ~ 42.0 | 1.40 | 1.33 ~ 1.47 |
| 2300 | 39.5 | 37.5 ~ 41.5 | 1.67 | 1.59 ~ 1.75 |
| 2450 | 39.2 | 37.2 ~ 41.2 | 1.80 | 1.71 ~ 1.89 |
| 2600 | 39.0 | 37.1 ~ 41.0 | 1.96 | 1.86 ~ 2.06 |
| 3500 | 37.9 | 36.0 ~ 39.8 | 2.91 | 2.76 ~ 3.06 |
| 5200 | 36.0 | 34.2 ~ 37.8 | 4.66 | 4.43 ~ 4.89 |
| 5300 | 35.9 | 34.1 ~ 37.7 | 4.76 | 4.52 ~ 5.00 |
| 5500 | 35.6 | 33.8 ~ 37.4 | 4.96 | 4.71 ~ 5.21 |
| 5600 | 35.5 | 33.7 ~ 37.3 | 5.07 | 4.82 ~ 5.32 |
| 5800 | 35.3 | 33.5 ~ 37.1 | 5.27 | 5.01 ~ 5.53 |
| 6500 | 34.5 | 32.8 ~ 36.2 | 6.07 | 6.04 ~ 6.11 |

7. SAR Measurement Procedure

According to the SAR test standard, the recommended procedure for assessing the peak spatial-average SAR value consists of the following steps:

- (a) Power reference measurement
- (b) Area scan
- (c) Zoom scan
- (d) Power drift measurement

The SAR measurement procedures for each of test conditions are as follows:

- (a) Make EUT to transmit maximum output power
- (b) Measure conducted output power through RF cable
- (c) Place the EUT in the specific position of phantom
- (d) Perform SAR testing steps on the DASY system
- (e) Record the SAR value

7.1 Area & Zoom Scan Procedure

First Area Scan is used to locate the approximate location(s) of the local peak SAR value(s). The measurement grid within an Area Scan is defined by the grid extent, grid step size and grid offset. Next, in order to determine the EM field distribution in a three-dimensional spatial extension, Zoom Scan is required. The Zoom Scan is performed around the highest E-field value to determine the averaged SAR-distribution over 10 g. According to KDB 865664 D01, the resolution for Area and Zoom scan is specified in the table below.

| Items | ≤ 2GHz | 2-3 GHz | 3-4 GHz | 4-5 GHz | 5-6 GHz |
|---------------------------------------|---------|---------|---------|---------|---------|
| Area Scan ($\Delta x, \Delta y$) | ≤ 15mm | ≤ 12 mm | ≤ 12 mm | ≤ 10 mm | ≤ 10 mm |
| Zoom Scan ($\Delta x, \Delta y$) | ≤ 8 mm | ≤ 5 mm | ≤ 5 mm | ≤ 4 mm | ≤ 4 mm |
| Zoom Scan (Δz) | ≤ 5 mm | ≤ 5 mm | ≤ 4 mm | ≤ 3 mm | ≤ 2 mm |
| Zoom Scan Volume | ≥ 30 mm | ≥ 30 mm | ≥ 28 mm | ≥ 25 mm | ≥ 22 mm |

Note:

When zoom scan is required and report SAR is ≤ 1.4 W/kg, the zoom scan resolution of $\Delta x / \Delta y$ (2-3 GHz): ≤ 8 mm, 3-4 GHz: ≤ 7 mm, 4-6 GHz: ≤ 5 mm) may be applied.

7.2 Volume Scan Procedure

The volume scan is used for assess overlapping SAR distributions for antennas transmitting in different frequency bands. It is equivalent to an oversized zoom scan used in standalone measurements. The measurement volume will be used to enclose all the simultaneous transmitting antennas. For antennas transmitting simultaneously in different frequency bands, the volume scan is measured separately in each frequency band. In order to sum correctly to compute the 1g aggregate SAR, the EUT remain in the same test position for all measurements and all volume scan use the same spatial resolution and grid spacing. When all volume scan were completed, the software, SEMCAD postprocessor can combine and subsequently superpose these measurement data to calculating the multiband SAR.

7.3 Power Drift Monitoring

All SAR testing is under the EUT install full charged battery and transmit maximum output power. In DASY measurement software, the power reference measurement and power drift measurement procedures are used for monitoring the power drift of EUT during SAR test. Both these procedures measure the field at a specified reference position before and after the SAR testing. The software will calculate the field difference in dB. If the power drift more than 5%, the SAR will be retested.

7.4 Spatial Peak SAR Evaluation

The procedure for spatial peak SAR evaluation has been implemented according to the test standard. It can be conducted for 1g and 10g, as well as for user-specific masses. The DASY software includes all numerical procedures necessary to evaluate the spatial peak SAR value.

The base for the evaluation is a "cube" measurement. The measured volume must include the 1g and 10g cubes with the highest averaged SAR values. For that purpose, the center of the measured volume is aligned to the interpolated peak SAR value of a previously performed area scan.

The entire evaluation of the spatial peak values is performed within the post-processing engine (SEMCAD). The system always gives the maximum values for the 1g and 10g cubes. The algorithm to find the cube with highest averaged SAR is divided into the following stages:

- (a) Extraction of the measured data (grid and values) from the Zoom Scan
- (b) Calculation of the SAR value at every measurement point based on all stored data (A/D values and measurement parameters)
- (c) Generation of a high-resolution mesh within the measured volume
- (d) Interpolation of all measured values from the measurement grid to the high-resolution grid
- (e) Extrapolation of the entire 3-D field distribution to the phantom surface over the distance from sensor to surface
- (f) Calculation of the averaged SAR within masses of 1g and 10g

7.5 SAR Averaged Methods

In DASY, the interpolation and extrapolation are both based on the modified Quadratic Shepard's method. The interpolation scheme combines a least-square fitted function method and a weighted average method which are the two basic types of computational interpolation and approximation.

Extrapolation routines are used to obtain SAR values between the lowest measurement points and the inner phantom surface. The extrapolation distance is determined by the surface detection distance and the probe sensor offset. The uncertainty increases with the extrapolation distance. To keep the uncertainty within 1% for the 1 g and 10 g cubes, the extrapolation distance should not be larger than 5 mm.

8. SAR Measurement Evaluation

8.1 EUT Configuration and Setting

<Considerations Related to WLAN for Setup and Testing>

In general, various vendor specific external test software and chipset based internal test modes are typically used for SAR measurement. These chipset based test mode utilities are generally hardware and manufacturer dependent, and often include substantial flexibility to reconfigure or reprogram a device. A Wi-Fi device must be configured to transmit continuously at the required data rate, channel bandwidth and signal modulation, using the highest transmission duty factor supported by the test mode tools for SAR measurement. The test frequencies established using test mode must correspond to the actual channel frequencies. When 802.11 frame gaps are accounted for in the transmission, a maximum transmission duty factor of 92 - 96% is typically achievable in most test mode configurations. A minimum transmission duty factor of 85% is required to avoid certain hardware and device implementation issues related to wide range SAR scaling. In addition, a periodic transmission duty factor is required for current generation SAR systems to measure SAR correctly. The reported SAR must be scaled to 100% transmission duty factor to determine compliance at the maximum tune-up tolerance limit.

According to KDB 248227 D01, this device has installed WLAN engineering testing software which can provide continuous transmitting RF signal. During WLAN SAR testing, this device was operated to transmit continuously at the maximum transmission duty with specified transmission mode, operating frequency, lowest data rate, and maximum output power.

Initial Test Configuration

An initial test configuration is determined for OFDM transmission modes in 2.4 GHz and 5 GHz bands according to the channel bandwidth, modulation and data rate combination(s) with the highest maximum output power specified for production units in each standalone and aggregated frequency band. When the same maximum power is specified for multiple transmission modes in a frequency band, the largest channel bandwidth, lowest order modulation, lowest data rate and lowest order 802.11a/g/n/ac mode is used for SAR measurement, on the highest measured output power channel in the initial test configuration, for each frequency band.

Subsequent Test Configuration

SAR measurement requirements for the remaining 802.11 transmission mode configurations that have not been tested in the initial test configuration are determined separately for each standalone and aggregated frequency band, in each exposure condition, according to the maximum output power specified for production units. Additional power measurements may be required to determine if SAR measurements are required for subsequent highest output power channels in a subsequent test configuration. When the highest reported SAR for the initial test configuration according to the initial test position or fixed exposure position requirements, is adjusted by the ratio of the subsequent test configuration to initial test configuration specified maximum output power and the adjusted SAR is ≤ 1.2 W/kg, SAR is not required for that subsequent test configuration.

SAR Test Configuration and Channel Selection

When multiple channel bandwidth configurations in a frequency band have the same specified maximum output power, the initial test configuration is using largest channel bandwidth, lowest order modulation, lowest data rate, and lowest order 802.11 mode (i.e., 802.11a is chosen over 802.11n then 802.11ac or 802.11g is chosen over 802.11n). After an initial test configuration is determined, if multiple test channels have the same measured maximum output power, the channel chosen for SAR measurement is determined according to the following.

- 1) The channel closest to mid-band frequency is selected for SAR measurement.
- 2) For channels with equal separation from mid-band frequency; for example, high and low channels or two mid-band channels, the higher frequency (number) channel is selected for SAR measurement.

<Considerations Related to Bluetooth for Setup and Testing>

This device has installed Bluetooth engineering testing software which can provide continuous transmitting RF signal. During Bluetooth SAR testing, this device was operated to transmit continuously at the maximum transmission duty with specified transmission mode, operating frequency, lowest data rate, and maximum output power.

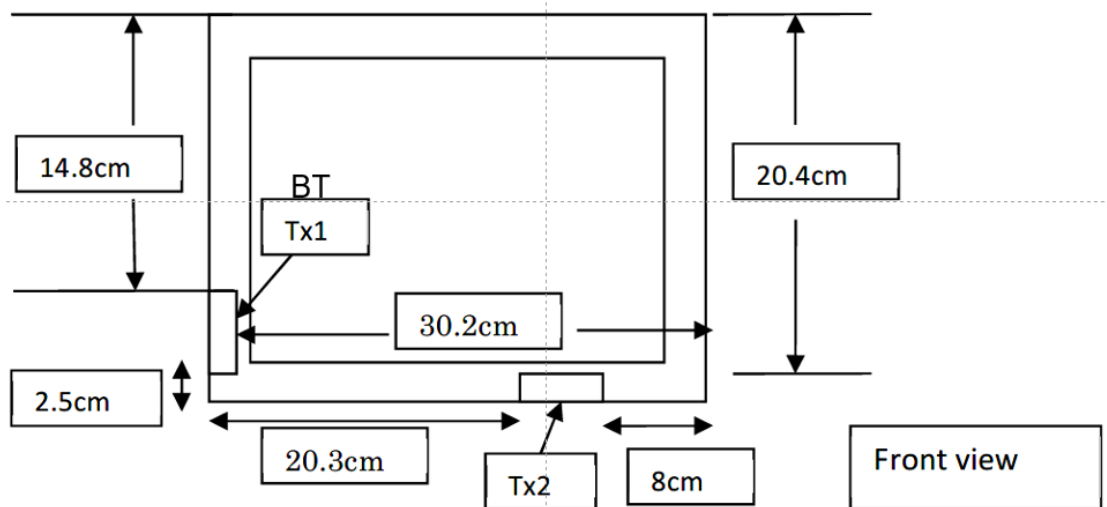
8.2 EUT Testing Position

For full-size tablet, according to KDB 616217 D04, SAR evaluation is required for back surface and edges of the devices. The back surface and edges of the tablet are tested with the tablet touching the phantom. Exposures from antennas through the front surface of the display section of a tablet are generally limited to the user's hands. Exposures to hands for typical consumer transmitters used in tablets are not expected to exceed the extremity SAR limit; therefore, SAR evaluation for the front surface of tablet display screens are generally not necessary. When voice mode is supported on a tablet and it is limited to speaker mode or headset operations only, additional SAR testing for this type of voice use is not required.

8.2.1 Body and Extremity Exposure Conditions

The EUT was tested for five surfaces of the EUT as Front Face, Back Face, Left Side, Right Side, and Top Side. The separation distance between this EUT and phantom is 10mm for body and 0mm for hand.

8.2.2 Antenna Location



8.3 Simultaneous Transmission Possibilities

The simultaneous transmission possibilities for this device are listed as below.

| Simultaneous TX Combination | Capable Transmit Configurations | Body |
|-----------------------------|---|------|
| 1 | WLAN 2.4GHz Ant 1 + WLAN 2.4GHz Ant 2 | Yes |
| 2 | WLAN 2.4GHz Ant 2 + Bluetooth Ant 1 | Yes |
| 3 | WLAN 5GHz Ant 1 + WLAN 5GHz Ant 2 | Yes |
| 4 | WLAN 5GHz Ant 2 + Bluetooth Ant 1 | Yes |
| 5 | WLAN 5GHz Ant 1 + WLAN 5GHz Ant 2 + Bluetooth | Yes |

8.4 Tissue Verification

The simulating liquids should be checked at the beginning of a series of SAR measurements to determine if the dielectric parameters are within the tolerances of the specified target values. The measured conductivity and relative permittivity should be within $\pm 5\%$ of the target values.

The following materials are used for producing the tissue-equivalent materials.

Recipes of Tissue Simulating Liquid

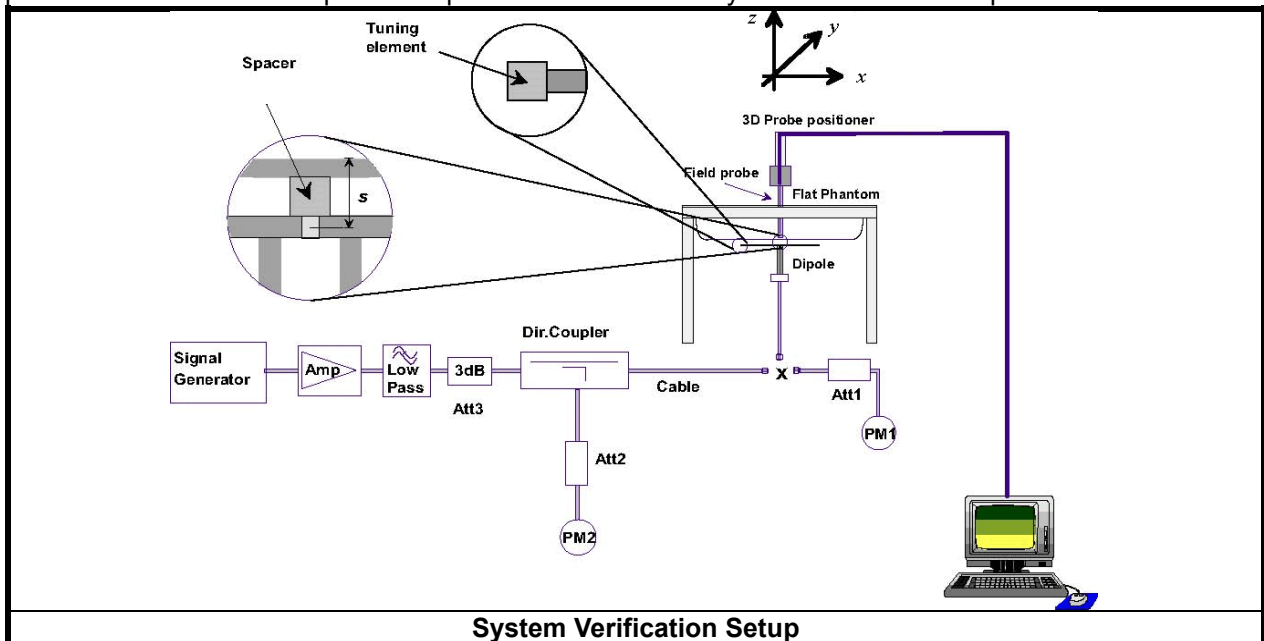
| Tissue Type | Frequency (MHz) | Measured Conductivity (σ) | Measured Permittivity (ϵ_r) | Target Conductivity (σ) | Target Permittivity (ϵ_r) | Conductivity Deviation (%) | Permittivity Deviation (%) | Test Date |
|-------------|-----------------|------------------------------------|--|----------------------------------|--------------------------------------|----------------------------|----------------------------|-----------|
| Head | 2450 | 1.856 | 40.406 | 1.8 | 39.2 | 3.11 | 3.08 | 2023/10/2 |
| Head | 5250 | 4.564 | 36.931 | 4.71 | 35.9 | -3.10 | 2.87 | 2023/10/4 |
| Head | 5600 | 4.924 | 36.48 | 5.07 | 35.5 | -2.88 | 2.76 | 2023/10/4 |
| Head | 5750 | 5.083 | 36.314 | 5.22 | 35.4 | -2.62 | 2.58 | 2023/10/4 |

Salt: 99+% Pure Sodium Chloride; Sugar: 98+% Pure Sucrose; Water: De-ionized, 16M +resistivity HEC: Hydroxyethyl Cellulose; Sorbitan monolaurate (Tween 20); Di(ethylene glycol) butyl ether, [2-(2-butoxyethoxy)ethanol]; Triton X-100 (ultra pure): Polyethylene glycol mono [4-(1,1,3,3-tetramethylbutyl)phenyl]ether.

8.5 System Validation

System check Procedure

The system check verifies that the system operates within its specifications. It is performed daily or before every SAR measurement. The system check uses normal SAR measurements in the flat section of the phantom with a matched dipole at a specified distance. The system verification setup is shown as below.



The validation dipole is placed beneath the flat phantom with the specific spacer in place. The distance spacer is touch the phantom surface with a light pressure at the reference marking and be oriented parallel to the long side of the phantom. The spectrum analyzer measures the forward power at the location of the system check dipole connector. The signal generator is adjusted for the desired forward power (250 mW is used for 700 MHz to 3 GHz, 100 mW is used for 3.5 GHz to 6 GHz) at the dipole connector and the power meter is read at that level. After connecting the cable to the dipole, the signal generator is readjusted for the same reading at power meter.

After system check testing, the SAR result will be normalized to 1W forward input power and compared with the reference SAR value derived from validation dipole certificate report. The deviation of system check should be within 10 %.

8.6 System Verification

The measuring results for system check are shown as below.

| Test Date | Frequency (MHz) | 1W Target SAR-1g (W/kg) | Measured SAR-1g (W/kg) | Normalized to 1W SAR-1g (W/kg) | Deviation SAR-1g (%) | Dipole S/N | Probe S/N | DAE S/N |
|-----------|-----------------|-------------------------|------------------------|--------------------------------|----------------------|------------|-----------|---------|
| 2023/10/2 | 2450 | 52.3 | 13.90 | 55.6 | 6.31 | 804 | 7400 | 855 |
| 2023/10/4 | 5250 | 79.8 | 8.09 | 80.9 | 1.38 | 1235 | 7400 | 855 |
| 2023/10/4 | 5600 | 82.7 | 8.55 | 85.5 | 3.39 | 1235 | 7400 | 855 |
| 2023/10/4 | 5750 | 81.4 | 8.20 | 82 | 0.74 | 1235 | 7400 | 855 |

Note:

Comparing to the reference SAR value provided by SPEAG, the validation data should be within its specification of 10 %. The result indicates the system check can meet the variation criterion and the plots can be referred to Appendix A of this report.

8.7 Maximum Output Power

8.7.1 Measured Conducted Power Result

All Rate have been tested, the Worst average power (Unit: dBm) is shown as below.

<WLAN 2.4G>

| 2.4GHz WLAN | | | Aux-Ant1 | | |
|--------------------|---------|-----------------|---------------------|---------|--------------|
| Mode | Channel | Frequency (MHz) | Average power (dBm) | Tune-Up | Duty Cycle % |
| 802.11b 1Mbps | 1 | 2412 | 19.48 | 19.5 | 99.52 |
| | 6 | 2437 | 20.98 | 21.0 | |
| | 11 | 2462 | 19.77 | 20.0 | |
| | 12 | 2467 | 18.50 | 18.5 | |
| | 13 | 2472 | 19.00 | 19.0 | |
| 802.11g 6Mbps | 1 | 2412 | Not Required | 17.0 | 97.90 |
| | 6 | 2437 | | 21.0 | |
| | 11 | 2462 | | 17.5 | |
| | 12 | 2467 | | 15.0 | |
| | 13 | 2472 | | 12.5 | |
| 802.11n-HT20 MCS0 | 1 | 2412 | | 17.0 | 98.76 |
| | 6 | 2437 | | 20.5 | |
| | 11 | 2462 | | 16.5 | |
| | 12 | 2467 | | 15.0 | |
| | 13 | 2472 | | 13.0 | |
| 802.11n-HT40 MCS0 | 3 | 2422 | | 17.0 | 98.76 |
| | 6 | 2437 | | 16.0 | |
| | 9 | 2452 | | 16.0 | |
| | 10 | 2457 | | 12.5 | |
| | 11 | 2462 | | 12.5 | |
| 802.11ax-HE20 MCS0 | 1 | 2412 | 17.0 | 98.76 | |
| | 6 | 2437 | 20.0 | | |
| | 11 | 2462 | 16.0 | | |
| | 12 | 2467 | 15.5 | | |
| | 13 | 2472 | 12.0 | | |
| 802.11ax-HE40 MCS0 | 3 | 2422 | 16.5 | 98.76 | |
| | 6 | 2437 | 16.0 | | |
| | 9 | 2452 | 16.0 | | |
| | 10 | 2457 | 12.0 | | |
| | 11 | 2462 | 13.0 | | |

| 2.4GHz WLAN | | | Main-Ant2 | | | | |
|--------------------|---------|-----------------|---------------------|--------------|--------------|-------|-------|
| Mode | Channel | Frequency (MHz) | Average power (dBm) | Tune-Up | Duty Cycle % | | |
| 802.11b 1Mbps | 1 | 2412 | 19.37 | 19.5 | 99.52 | | |
| | 6 | 2437 | 19.40 | 19.5 | | | |
| | 11 | 2462 | 19.29 | 19.5 | | | |
| | 12 | 2467 | 18.97 | 19.0 | | | |
| | 13 | 2472 | 18.84 | 19.0 | | | |
| 802.11g 6Mbps | 1 | 2412 | Not Required | 17.0 | 97.90 | | |
| | 6 | 2437 | | 19.5 | | | |
| | 11 | 2462 | | 17.5 | | | |
| | 12 | 2467 | | 15.5 | | | |
| | 13 | 2472 | | 12.5 | | | |
| 802.11n-HT20 MCS0 | 1 | 2412 | | Not Required | 17.0 | 98.76 | |
| | 6 | 2437 | | | 19.5 | | |
| | 11 | 2462 | | | 16.0 | | |
| | 12 | 2467 | | | 15.5 | | |
| | 13 | 2472 | | | 12.0 | | |
| 802.11n-HT40 MCS0 | 3 | 2422 | | | Not Required | 16.5 | 98.76 |
| | 6 | 2437 | | | | 16.5 | |
| | 9 | 2452 | | | | 16.0 | |
| | 10 | 2457 | | | | 12.5 | |
| | 11 | 2462 | | | | 12.5 | |
| 802.11ax-HE20 MCS0 | 1 | 2412 | Not Required | | | 17.5 | 98.76 |
| | 6 | 2437 | | | | 19.5 | |
| | 11 | 2462 | | | | 16.0 | |
| | 12 | 2467 | | | | 16.5 | |
| | 13 | 2472 | | | | 10.5 | |
| 802.11ax-HE40 MCS0 | 3 | 2422 | | Not Required | | 16.5 | 98.76 |
| | 6 | 2437 | | | | 16.0 | |
| | 9 | 2452 | | | | 16.0 | |
| | 10 | 2457 | | | | 12.5 | |
| | 11 | 2462 | | | | 12.5 | |

| 2.4GHz WLAN | | | Ant 1+2(Aux+Main) | | |
|--------------------|---------|-----------------|---------------------|---------|--------------|
| Mode | Channel | Frequency (MHz) | Average power (dBm) | Tune-Up | Duty Cycle % |
| 802.11n-HT20 MCS0 | 1 | 2412 | Not Required | 17.0 | 98.76 |
| | 6 | 2437 | | 20.5 | |
| | 11 | 2462 | | 17.5 | |
| | 12 | 2467 | | 16.0 | |
| | 13 | 2472 | | 13.0 | |
| 802.11n-HT40 MCS0 | 3 | 2422 | | 17.5 | 98.76 |
| | 6 | 2437 | | 17.0 | |
| | 9 | 2452 | | 16.5 | |
| | 10 | 2457 | | 13.0 | |
| | 11 | 2462 | | 15.0 | |
| 802.11ax-HE20 MCS0 | 1 | 2412 | | 19.0 | 98.76 |
| | 6 | 2437 | | 20.0 | |
| | 11 | 2462 | | 17.0 | |
| | 12 | 2467 | | 15.5 | |
| | 13 | 2472 | | 13.0 | |
| 802.11ax-HE40 MCS0 | 3 | 2422 | 17.0 | 98.76 | |
| | 6 | 2437 | 17.5 | | |
| | 9 | 2452 | 16.5 | | |
| | 10 | 2457 | 13.5 | | |
| | 11 | 2462 | 13.5 | | |

<WLAN 5G>

| 5.2GHz WLAN | | | Aux-Ant1 | | |
|---------------------|---------|-----------------|---------------------|---------|--------------|
| Mode | Channel | Frequency (MHz) | Average power (dBm) | Tune-Up | Duty Cycle % |
| 802.11a 6Mbps | 36 | 5180 | Not Required | 16.5 | 97.66 |
| | 40 | 5200 | | 16.5 | |
| | 44 | 5220 | | 16.5 | |
| | 48 | 5240 | | 16.5 | |
| 802.11n-HT20 MCS0 | 36 | 5180 | | 16.5 | 97.66 |
| | 40 | 5200 | | 16.5 | |
| | 44 | 5220 | | 16.5 | |
| | 48 | 5240 | | 16.5 | |
| 802.11n-HT40 MCS0 | 38 | 5190 | | 16.5 | 98.76 |
| | 46 | 5230 | | 16.5 | |
| 802.11ac-VHT20 MCS0 | 36 | 5180 | | 16.5 | 98.75 |
| | 40 | 5200 | | 16.5 | |
| | 44 | 5220 | | 16.5 | |
| | 48 | 5240 | | 16.5 | |
| 802.11ac-VHT40 MCS0 | 38 | 5190 | | 16.5 | 97.74 |
| | 46 | 5230 | | 16.5 | |
| 802.11ac-VHT80 MCS0 | 42 | 5210 | | 16.5 | 99.00 |
| 802.11ax-HE20 MCS0 | 36 | 5180 | | 16.5 | 98.76 |
| | 40 | 5200 | | 16.5 | |
| | 44 | 5220 | | 16.5 | |
| | 48 | 5240 | 16.5 | | |
| 802.11ax-HE40 MCS0 | 38 | 5190 | 16.5 | 98.51 | |
| | 46 | 5230 | 16.5 | | |
| 802.11ax-HE80 MCS0 | 42 | 5210 | 16.5 | 98.76 | |

| 5.2GHz WLAN | | | Main-Ant2 | | |
|---------------------|---------|-----------------|---------------------|---------|--------------|
| Mode | Channel | Frequency (MHz) | Average power (dBm) | Tune-Up | Duty Cycle % |
| 802.11a 6Mbps | 36 | 5180 | Not Required | 18.0 | 97.66 |
| | 40 | 5200 | | 19.0 | |
| | 44 | 5220 | | 19.0 | |
| | 48 | 5240 | | 19.0 | |
| 802.11n-HT20 MCS0 | 36 | 5180 | | 18.5 | 97.66 |
| | 40 | 5200 | | 19.0 | |
| | 44 | 5220 | | 19.0 | |
| | 48 | 5240 | | 19.0 | |
| 802.11n-HT40 MCS0 | 38 | 5190 | | 18.0 | 98.76 |
| | 46 | 5230 | | 19.0 | |
| 802.11ac-VHT20 MCS0 | 36 | 5180 | | 18.5 | 98.75 |
| | 40 | 5200 | | 19.0 | |
| | 44 | 5220 | | 19.0 | |
| | 48 | 5240 | | 19.0 | |
| 802.11ac-VHT40 MCS0 | 38 | 5190 | | 18.0 | 97.74 |
| | 46 | 5230 | | 19.0 | |
| 802.11ac-VHT80 MCS0 | 42 | 5210 | 18.0 | 99.00 | |
| 802.11ax-HE20 MCS0 | 36 | 5180 | 18.0 | 98.76 | |
| | 40 | 5200 | 19.0 | | |
| | 44 | 5220 | 19.0 | | |
| | 48 | 5240 | 19.0 | | |
| 802.11ax-HE40 MCS0 | 38 | 5190 | 18.0 | 98.51 | |
| | 46 | 5230 | 19.0 | | |
| 802.11ax-HE80 MCS0 | 42 | 5210 | 18.0 | 98.76 | |

| 5.2GHz WLAN | | | Ant 1+2(Aux+Main) | | |
|---------------------|---------|-----------------|---------------------|---------|--------------|
| Mode | Channel | Frequency (MHz) | Average power (dBm) | Tune-Up | Duty Cycle % |
| 802.11n-HT20 MCS0 | 36 | 5180 | Not Required | 19.0 | 97.66 |
| | 40 | 5200 | | 19.0 | |
| | 44 | 5220 | | 19.0 | |
| | 48 | 5240 | | 19.0 | |
| 802.11n-HT40 MCS0 | 38 | 5190 | | 18.5 | 98.76 |
| | 46 | 5230 | | 19.0 | |
| 802.11ac-VHT20 MCS0 | 36 | 5180 | | 19.0 | 98.75 |
| | 40 | 5200 | | 19.0 | |
| | 44 | 5220 | | 19.0 | |
| | 48 | 5240 | | 19.0 | |
| 802.11ac-VHT40 MCS0 | 38 | 5190 | | 18.5 | 97.74 |
| | 46 | 5230 | | 19.0 | |
| 802.11ac-VHT80 MCS0 | 42 | 5210 | | 18.5 | 99.00 |
| 802.11ax-HE20 MCS0 | 36 | 5180 | | 19.0 | 98.76 |
| | 40 | 5200 | | 19.0 | |
| | 44 | 5220 | | 19.0 | |
| | 48 | 5240 | 19.0 | | |
| 802.11ax-HE40 MCS0 | 38 | 5190 | 19.0 | 98.51 | |
| | 46 | 5230 | 19.0 | | |
| 802.11ax-HE80 MCS0 | 42 | 5210 | 18.5 | 98.76 | |

| 5.3GHz WLAN | | | Aux-Ant1 | | | |
|----------------------|---------|-----------------|---------------------|---------|--------------|-------|
| Mode | Channel | Frequency (MHz) | Average power (dBm) | Tune-Up | Duty Cycle % | |
| 802.11a 6Mbps | 52 | 5260 | Not Required | 16.5 | 97.66 | |
| | 56 | 5280 | | 16.5 | | |
| | 60 | 5300 | | 16.5 | | |
| | 64 | 5320 | | 16.5 | | |
| 802.11n-HT20 MCS0 | 52 | 5260 | | 16.5 | 97.66 | |
| | 56 | 5280 | | 16.5 | | |
| | 60 | 5300 | | 16.5 | | |
| | 64 | 5320 | | 16.5 | | |
| 802.11n-HT40 MCS0 | 54 | 5270 | | 16.5 | 98.76 | |
| | 62 | 5310 | | 16.5 | | |
| 802.11ac-VHT20 MCS0 | 52 | 5260 | | 16.5 | 98.75 | |
| | 56 | 5280 | | 16.5 | | |
| | 60 | 5300 | | 16.5 | | |
| | 64 | 5320 | | 16.5 | | |
| 802.11ac-VHT40 MCS0 | 54 | 5270 | | 16.5 | 97.74 | |
| | 62 | 5310 | | 16.5 | | |
| 802.11ac-VHT80 MCS0 | 58 | 5290 | 16.44 | 16.5 | 99.00 | |
| 802.11ac-VHT160 MCS0 | 50 | 5250 | Not Required | 15.0 | 98.75 | |
| 802.11ax-HE20 MCS0 | 52 | 5260 | | 16.5 | 98.76 | |
| | 56 | 5280 | | 16.5 | | |
| | 60 | 5300 | | 16.5 | | |
| | 64 | 5320 | | 16.5 | | |
| 802.11ax-HE40 MCS0 | 54 | 5270 | | 16.5 | 98.51 | |
| | 62 | 5310 | | 16.5 | | |
| 802.11ax-HE80 MCS0 | 58 | 5290 | | 16.5 | 16.5 | 98.76 |
| 802.11ax-HE160 MCS0 | 50 | 5250 | | 15.0 | 15.0 | 98.76 |

| 5.3GHz WLAN | | | Main-Ant2 | | |
|----------------------|---------|-----------------|---------------------|---------|--------------|
| Mode | Channel | Frequency (MHz) | Average power (dBm) | Tune-Up | Duty Cycle % |
| 802.11a 6Mbps | 52 | 5260 | Not Required | 19.0 | 97.66 |
| | 56 | 5280 | | 19.0 | |
| | 60 | 5300 | | 19.0 | |
| | 64 | 5320 | | 17.5 | |
| 802.11n-HT20 MCS0 | 52 | 5260 | | 19.0 | 97.66 |
| | 56 | 5280 | | 19.0 | |
| | 60 | 5300 | | 19.0 | |
| | 64 | 5320 | | 17.5 | |
| 802.11n-HT40 MCS0 | 54 | 5270 | 18.87 | 19.0 | 98.76 |
| | 62 | 5310 | 16.29 | 16.5 | |
| 802.11ac-VHT20 MCS0 | 52 | 5260 | Not Required | 19.0 | 98.75 |
| | 56 | 5280 | | 19.0 | |
| | 60 | 5300 | | 19.0 | |
| | 64 | 5320 | | 17.5 | |
| 802.11ac-VHT40 MCS0 | 54 | 5270 | | 19.0 | 97.74 |
| | 62 | 5310 | | 16.5 | |
| 802.11ac-VHT80 MCS0 | 58 | 5290 | | 17.5 | 99.00 |
| 802.11ac-VHT160 MCS0 | 50 | 5250 | | 15.0 | 98.75 |
| 802.11ax-HE20 MCS0 | 52 | 5260 | | 19.0 | 98.76 |
| | 56 | 5280 | | 19.0 | |
| | 60 | 5300 | | 19.0 | |
| | 64 | 5320 | | 17.5 | |
| 802.11ax-HE40 MCS0 | 54 | 5270 | 19.0 | 98.51 | |
| | 62 | 5310 | 16.5 | | |
| 802.11ax-HE80 MCS0 | 58 | 5290 | 17.5 | 98.76 | |
| 802.11ax-HE160 MCS0 | 50 | 5250 | 15.0 | 98.76 | |

| 5.3GHz WLAN | | | Ant 1+2(Aux+Main) | | |
|----------------------|---------|-----------------|---------------------|---------|--------------|
| Mode | Channel | Frequency (MHz) | Average power (dBm) | Tune-Up | Duty Cycle % |
| 802.11n-HT20 MCS0 | 52 | 5260 | Not Required | 19.0 | 97.66 |
| | 56 | 5280 | | 19.0 | |
| | 60 | 5300 | | 19.0 | |
| | 64 | 5320 | | 16.5 | |
| 802.11n-HT40 MCS0 | 54 | 5270 | | 19.0 | 98.76 |
| | 62 | 5310 | | 16.0 | |
| 802.11ac-VHT20 MCS0 | 52 | 5260 | | 19.0 | 98.75 |
| | 56 | 5280 | | 19.0 | |
| | 60 | 5300 | | 19.0 | |
| | 64 | 5320 | | 16.5 | |
| 802.11ac-VHT40 MCS0 | 54 | 5270 | | 19.0 | 97.74 |
| | 62 | 5310 | | 16.0 | |
| 802.11ac-VHT80 MCS0 | 58 | 5290 | | 17.0 | 99.00 |
| 802.11ac-VHT160 MCS0 | 50 | 5250 | | 15.0 | 98.75 |
| 802.11ax-HE20 MCS0 | 52 | 5260 | | 19.0 | 98.76 |
| | 56 | 5280 | | 19.0 | |
| | 60 | 5300 | 19.0 | | |
| | 64 | 5320 | 19.0 | | |
| 802.11ax-HE40 MCS0 | 54 | 5270 | 19.0 | 98.51 | |
| | 62 | 5310 | 16.0 | | |
| 802.11ax-HE80 MCS0 | 58 | 5290 | 17.0 | 98.76 | |
| 802.11ax-HE160 MCS0 | 50 | 5250 | 15.5 | 98.76 | |

| 5.6GHz WLAN | | | Aux-Ant1 | | |
|---------------------|---------|-----------------|---------------------|---------|--------------|
| Mode | Channel | Frequency (MHz) | Average power (dBm) | Tune-Up | Duty Cycle % |
| 802.11a 6Mbps | 100 | 5500 | Not Required | 17.5 | 97.66 |
| | 116 | 5580 | | 17.5 | |
| | 124 | 5620 | | 17.5 | |
| | 132 | 5660 | | 17.5 | |
| | 140 | 5700 | | 17.5 | |
| | 144 | 5720 | | 17.5 | |
| 802.11n-HT20 MCS0 | 100 | 5500 | | 17.5 | 97.66 |
| | 116 | 5580 | | 17.5 | |
| | 124 | 5620 | | 17.5 | |
| | 132 | 5660 | | 17.5 | |
| | 140 | 5700 | | 17.5 | |
| | 144 | 5720 | | 17.5 | |
| 802.11n-HT40 MCS0 | 102 | 5510 | | 17.5 | 98.76 |
| | 110 | 5550 | | 17.5 | |
| | 126 | 5630 | | 17.5 | |
| | 134 | 5670 | | 17.5 | |
| | 142 | 5710 | | 17.5 | |
| 802.11ac-VHT20 MCS0 | 100 | 5500 | | 17.5 | 98.75 |
| | 116 | 5580 | | 17.5 | |
| | 124 | 5620 | | 17.5 | |
| | 132 | 5660 | | 17.5 | |
| | 140 | 5700 | 17.5 | | |
| | 144 | 5720 | 17.5 | | |
| 802.11ac-VHT40 MCS0 | 102 | 5510 | 17.5 | 97.74 | |
| | 110 | 5550 | 17.5 | | |
| | 126 | 5630 | 17.5 | | |
| | 134 | 5670 | 17.5 | | |
| | 142 | 5710 | 17.5 | | |
| 802.11ac-VHT80 MCS0 | 106 | 5530 | 17.38 | 17.5 | 99.00 |
| | 122 | 5610 | 17.49 | 17.5 | |

| | | | | | | |
|----------------------|-----|------|--------------|------|-------|-------|
| | 138 | 5690 | 17.48 | 17.5 | | |
| 802.11ac-VHT160 MCS0 | 114 | 5570 | Not Required | 14.5 | 98.75 | |
| 802.11ax-HE20 MCS0 | 100 | 5500 | | 17.5 | 98.76 | |
| | 116 | 5580 | | 17.5 | | |
| | 124 | 5620 | | 17.5 | | |
| | 132 | 5660 | | 17.5 | | |
| | 140 | 5700 | | 17.5 | | |
| | 144 | 5720 | | 17.5 | | |
| 802.11ax-HE40 MCS0 | 102 | 5510 | | 17.5 | 98.51 | |
| | 110 | 5550 | | 17.5 | | |
| | 126 | 5630 | | 17.5 | | |
| | 134 | 5670 | | 17.5 | | |
| | 142 | 5710 | | 17.5 | | |
| 802.11ax-HE80 MCS0 | 106 | 5530 | | 17.5 | 98.76 | |
| | 122 | 5610 | | 17.5 | | |
| | 138 | 5690 | | 17.5 | | |
| 802.11ax-HE160 MCS0 | 114 | 5570 | | | 14.5 | 98.76 |

| 5.6GHz WLAN | | | Main-Ant2 | | |
|----------------------|---------|-----------------|---------------------|---------|--------------|
| Mode | Channel | Frequency (MHz) | Average power (dBm) | Tune-Up | Duty Cycle % |
| 802.11a 6Mbps | 100 | 5500 | Not Required | 17.5 | 97.66 |
| | 116 | 5580 | | 21 | |
| | 124 | 5620 | | 21 | |
| | 132 | 5660 | | 21 | |
| | 140 | 5700 | | 18 | |
| | 144 | 5720 | | 20.5 | |
| 802.11n-HT20 MCS0 | 100 | 5500 | | 17.5 | 97.66 |
| | 116 | 5580 | | 21 | |
| | 124 | 5620 | | 21 | |
| | 132 | 5660 | | 21 | |
| | 140 | 5700 | | 18 | |
| | 144 | 5720 | | 21 | |
| 802.11n-HT40 MCS0 | 102 | 5510 | | 18 | 98.76 |
| | 110 | 5550 | | 21 | |
| | 126 | 5630 | | 21 | |
| | 134 | 5670 | | 19 | |
| | 142 | 5710 | | 21 | |
| 802.11ac-VHT20 MCS0 | 100 | 5500 | | 17.5 | 98.75 |
| | 116 | 5580 | | 21 | |
| | 124 | 5620 | | 21 | |
| | 132 | 5660 | | 21 | |
| | 140 | 5700 | 18 | | |
| | 144 | 5720 | 20.5 | | |
| 802.11ac-VHT40 MCS0 | 102 | 5510 | 18 | 97.74 | |
| | 110 | 5550 | 21 | | |
| | 126 | 5630 | 21 | | |
| | 134 | 5670 | 19 | | |
| | 142 | 5710 | 21 | | |
| 802.11ac-VHT80 MCS0 | 106 | 5530 | 17.79 | 18 | 99.00 |
| | 122 | 5610 | 19.61 | 20 | |
| | 138 | 5690 | 20.79 | 21 | |
| 802.11ac-VHT160 MCS0 | 114 | 5570 | Not Required | 15 | 98.75 |
| 802.11ax-HE20 MCS0 | 100 | 5500 | | 17.5 | 98.76 |
| | 116 | 5580 | | 21 | |
| | 124 | 5620 | | 21 | |
| | 132 | 5660 | | 21 | |
| | 140 | 5700 | | 18 | |
| | 144 | 5720 | 21 | | |

| | | | | | |
|---------------------|-----|------|--|------|-------|
| 802.11ax-HE40 MCS0 | 102 | 5510 | | 18 | 98.51 |
| | 110 | 5550 | | 20.5 | |
| | 126 | 5630 | | 20.5 | |
| | 134 | 5670 | | 19.5 | |
| | 142 | 5710 | | 21 | |
| 802.11ax-HE80 MCS0 | 106 | 5530 | | 17.5 | 98.76 |
| | 122 | 5610 | | 19.5 | |
| | 138 | 5690 | | 21 | |
| 802.11ax-HE160 MCS0 | 114 | 5570 | | 14.5 | 98.76 |

| 5.6GHz WLAN | | | Ant 1+2(Aux+Main) | | |
|----------------------|---------|-----------------|---------------------|---------|--------------|
| Mode | Channel | Frequency (MHz) | Average power (dBm) | Tune-Up | Duty Cycle % |
| 802.11n-HT20 MCS0 | 100 | 5500 | Not Required | 17.0 | 97.66 |
| | 116 | 5580 | | 21.0 | |
| | 124 | 5620 | | 21.0 | |
| | 132 | 5660 | | 21.0 | |
| | 140 | 5700 | | 17.5 | |
| | 144 | 5720 | | 20.5 | |
| 802.11n-HT40 MCS0 | 102 | 5510 | | 17.0 | 98.76 |
| | 110 | 5550 | | 20.0 | |
| | 126 | 5630 | | 20.0 | |
| | 134 | 5670 | | 20.0 | |
| | 142 | 5710 | | 21.0 | |
| 802.11ac-VHT20 MCS0 | 100 | 5500 | | 17.0 | 98.75 |
| | 116 | 5580 | | 21.0 | |
| | 124 | 5620 | | 21.0 | |
| | 132 | 5660 | | 21.0 | |
| | 140 | 5700 | | 17.5 | |
| | 144 | 5720 | | 21.0 | |
| 802.11ac-VHT40 MCS0 | 102 | 5510 | | 17.0 | 97.74 |
| | 110 | 5550 | | 21.0 | |
| | 126 | 5630 | | 21.0 | |
| | 134 | 5670 | | 20.0 | |
| | 142 | 5710 | 21.0 | | |
| 802.11ac-VHT80 MCS0 | 106 | 5530 | 18.0 | 99.00 | |
| | 122 | 5610 | 21.0 | | |
| | 138 | 5690 | 21.0 | | |
| 802.11ac-VHT160 MCS0 | 114 | 5570 | 15.0 | 98.75 | |
| 802.11ax-HE20 MCS0 | 100 | 5500 | 19.5 | 98.76 | |
| | 116 | 5580 | 21.0 | | |
| | 124 | 5620 | 21.0 | | |
| | 132 | 5660 | 21.0 | | |

| | | | | | |
|---------------------|-----|------|--|------|-------|
| | 140 | 5700 | | 19.5 | |
| | 144 | 5720 | | 21.0 | |
| 802.11ax-HE40 MCS0 | 102 | 5510 | | 19.5 | 98.51 |
| | 110 | 5550 | | 21.0 | |
| | 126 | 5630 | | 21.0 | |
| | 134 | 5670 | | 21.0 | |
| | 142 | 5710 | | 21.0 | |
| 802.11ax-HE80 MCS0 | 106 | 5530 | | 18.0 | 98.76 |
| | 122 | 5610 | | 21.0 | |
| | 138 | 5690 | | 21.0 | |
| 802.11ax-HE160 MCS0 | 114 | 5570 | | 15.0 | 98.76 |

| 5.8GHz WLAN | | | Aux-Ant1 | | | |
|---------------------|---------|-----------------|---------------------|--------------|--------------|-------|
| Mode | Channel | Frequency (MHz) | Average power (dBm) | Tune-Up | Duty Cycle % | |
| 802.11a 6Mbps | 149 | 5745 | Not Required | 16 | 97.66 | |
| | 157 | 5785 | | 16 | | |
| | 165 | 5825 | | 16 | | |
| 802.11n-HT20 MCS0 | 149 | 5745 | | 16 | 97.66 | |
| | 157 | 5785 | | 16 | | |
| | 165 | 5825 | | 16 | | |
| 802.11n-HT40 MCS0 | 151 | 5755 | | 16 | 98.76 | |
| | 159 | 5795 | | 16 | | |
| 802.11ac-VHT20 MCS0 | 149 | 5745 | | 16 | 98.75 | |
| | 157 | 5785 | | 16 | | |
| | 165 | 5825 | | 16 | | |
| 802.11ac-VHT40 MCS0 | 151 | 5755 | | 16 | 97.74 | |
| | 159 | 5795 | | 16 | | |
| 802.11ac-VHT80 MCS0 | 155 | 5775 | | 15.93 | 16 | 99.00 |
| 802.11ax-HE20 MCS0 | 149 | 5745 | | Not Required | 16 | 98.76 |
| | 157 | 5785 | 16 | | | |
| | 165 | 5825 | 16 | | | |
| 802.11ax-HE40 MCS0 | 151 | 5755 | 16 | | 98.51 | |
| | 159 | 5795 | 16 | | | |
| 802.11ax-HE80 MCS0 | 155 | 5775 | 16 | | 98.76 | |

| 5.8GHz WLAN | | | Main-Ant2 | | | |
|---------------------|---------|-----------------|---------------------|--------------|--------------|-------|
| Mode | Channel | Frequency (MHz) | Average power (dBm) | Tune-Up | Duty Cycle % | |
| 802.11a 6Mbps | 149 | 5745 | Not Required | 20 | 97.66 | |
| | 157 | 5785 | | 20 | | |
| | 165 | 5825 | | 20 | | |
| 802.11n-HT20 MCS0 | 149 | 5745 | | 20 | 97.66 | |
| | 157 | 5785 | | 20 | | |
| | 165 | 5825 | | 20 | | |
| 802.11n-HT40 MCS0 | 151 | 5755 | | 19.89 | 20 | 98.76 |
| | 159 | 5795 | | 19.92 | 20 | |
| 802.11ac-VHT20 MCS0 | 149 | 5745 | | Not Required | 20 | 98.75 |
| | 157 | 5785 | 20 | | | |
| | 165 | 5825 | 20 | | | |
| 802.11ac-VHT40 MCS0 | 151 | 5755 | 20 | | 97.74 | |
| | 159 | 5795 | 20 | | | |
| 802.11ac-VHT80 MCS0 | 155 | 5775 | 19.5 | | 99.00 | |
| 802.11ax-HE20 MCS0 | 149 | 5745 | 20 | | 98.76 | |
| | 157 | 5785 | 20 | | | |
| | 165 | 5825 | 20 | | | |
| 802.11ax-HE40 MCS0 | 151 | 5755 | 20 | | 98.51 | |
| | 159 | 5795 | 20 | | | |
| 802.11ax-HE80 MCS0 | 155 | 5775 | 19 | | 98.76 | |

| 5.8GHz WLAN | | | Ant 1+2(Aux+Main) | | |
|---------------------|---------|-----------------|---------------------|---------|--------------|
| Mode | Channel | Frequency (MHz) | Average power (dBm) | Tune-Up | Duty Cycle % |
| 802.11n-HT20 MCS0 | 149 | 5745 | Not Required | 20.0 | 97.66 |
| | 157 | 5785 | | 20.0 | |
| | 165 | 5825 | | 20.0 | |
| 802.11n-HT40 MCS0 | 151 | 5755 | | 20.0 | 98.76 |
| | 159 | 5795 | | 20.0 | |
| 802.11ac-VHT20 MCS0 | 149 | 5745 | | 20.0 | 98.75 |
| | 157 | 5785 | | 20.0 | |
| | 165 | 5825 | | 20.0 | |
| 802.11ac-VHT40 MCS0 | 151 | 5755 | | 20.0 | 97.74 |
| | 159 | 5795 | | 20.0 | |
| 802.11ac-VHT80 MCS0 | 155 | 5775 | | 19.5 | 99.00 |
| 802.11ax-HE20 MCS0 | 149 | 5745 | | 20.0 | 98.76 |
| | 157 | 5785 | | 20.0 | |
| | 165 | 5825 | | 20.0 | |
| 802.11ax-HE40 MCS0 | 151 | 5755 | | 20.0 | 98.51 |
| | 159 | 5795 | 20.0 | | |
| 802.11ax-HE80 MCS0 | 155 | 5775 | 19.0 | 98.76 | |

8.8 SAR Testing Results

8.8.1 SAR Test Reduction Considerations

<KDB 447498 D01, General RF Exposure Guidance>

Testing of other required channels within the operating mode of a frequency band is not required when the reported SAR for the mid-band or highest output power channel is:

- (1) ≤ 0.8 W/kg or 2.0 W/kg, for 1-g or 10-g respectively, when the transmission band is ≤ 100 MHz
- (2) ≤ 0.6 W/kg or 1.5 W/kg, for 1-g or 10-g respectively, when the transmission band is between 100 MHz and 200 MHz
- (3) ≤ 0.4 W/kg or 1.0 W/kg, for 1-g or 10-g respectively, when the transmission band is ≥ 200 MHz

<KDB 248227 D01, SAR Guidance for Wi-Fi Transmitters>

- (1) For handsets operating next to ear, hotspot mode or mini-tablet configurations, the initial test position procedures were applied. The test position with the highest extrapolated peak SAR will be used as the initial test position. When the reported SAR of initial test position is ≤ 0.4 W/kg, SAR testing for remaining test positions is not required. Otherwise, SAR is evaluated at the subsequent highest peak SAR positions until the reported SAR result is ≤ 0.8 W/kg or all test positions are measured.
- (2) For WLAN 2.4 GHz, the highest measured maximum output power channel for DSSS was selected for SAR measurement. When the reported SAR is ≤ 0.8 W/kg, no further SAR testing is required. Otherwise, SAR is evaluated at the next highest measured output power channel. When any reported SAR is > 1.2 W/kg, SAR is required for the third channel. For OFDM modes (802.11g/n), SAR is not required when the highest reported SAR for DSSS is adjusted by the ratio of OFDM to DSSS specified maximum output power and it is ≤ 1.2 W/kg.
- (3) For WLAN 5 GHz, the initial test configuration was selected according to the transmission mode with the highest maximum output power. When the reported SAR of initial test configuration is > 0.8 W/kg, SAR is required for the subsequent highest measured output power channel until the reported SAR result is ≤ 1.2 W/kg or all required channels are measured. For other transmission modes, SAR is not required when the highest reported SAR for initial test configuration is adjusted by the ratio of subsequent test configuration to initial test configuration specified maximum output power and it is ≤ 1.2 W/kg.
- (4) For WLAN MIMO mode, the power-based standalone SAR test exclusion or the sum of SAR provision in KDB 447498 to determine simultaneous transmission SAR test exclusion should be applied. Otherwise, SAR for MIMO mode will be measured with all applicable antennas transmitting simultaneously at the specified maximum output power of MIMO operation.

8.8.2 SAR Results for Body Exposure Condition (Separation Distance is 0mm Gap)

| Plot No. | Band | Mode | Test Position | Antenna | Ch. | Frequency (MHz) | Measured Conducted Power (dBm) | Max. Tune-up Power (dBm) | Tune-up Scaling Factor | Duty Cycle Scaling Factor | Power Drift (dB) | Measured SAR-1g (W/kg) | Reported SAR-1g (W/kg) |
|----------|------------|---------------------|---------------|---------|-----|-----------------|--------------------------------|--------------------------|------------------------|---------------------------|------------------|------------------------|------------------------|
| 27 | WLAN2.4GHz | 802.11b 1Mbps | Bottom Face | Aux-1 | 6 | 2437 | 20.98 | 21.00 | 1.005 | 1.005 | -0.11 | 0.313 | 0.316 |
| 8 | WLAN2.4GHz | 802.11b 1Mbps | Edge 3 | Aux-1 | 6 | 2437 | 20.98 | 21.00 | 1.005 | 1.005 | -0.12 | 0.900 | 0.909 |
| 30 | WLAN2.4GHz | 802.11b 1Mbps | Edge 3 | Aux-1 | 1 | 2412 | 19.48 | 19.50 | 1.005 | 1.005 | 0.04 | 0.501 | 0.506 |
| 31 | WLAN2.4GHz | 802.11b 1Mbps | Edge 3 | Aux-1 | 11 | 2462 | 19.77 | 20.00 | 1.054 | 1.005 | 0.02 | 0.737 | 0.781 |
| 32 | WLAN2.4GHz | 802.11b 1Mbps | Edge 3 | Aux-1 | 12 | 2467 | 18.50 | 18.50 | 1.000 | 1.005 | 0.02 | 0.594 | 0.597 |
| 33 | WLAN2.4GHz | 802.11b 1Mbps | Edge 3 | Aux-1 | 13 | 2472 | 19.00 | 19.00 | 1.000 | 1.005 | 0.03 | 0.477 | 0.479 |
| 26 | WLAN2.4GHz | 802.11b 1Mbps | Bottom Face | Main-2 | 6 | 2437 | 19.40 | 19.50 | 1.023 | 1.005 | -0.06 | 0.845 | 0.869 |
| 23 | WLAN2.4GHz | 802.11b 1Mbps | Bottom Face | Main-2 | 1 | 2412 | 19.37 | 19.50 | 1.030 | 1.005 | -0.04 | 0.829 | 0.858 |
| 22 | WLAN2.4GHz | 802.11b 1Mbps | Bottom Face | Main-2 | 11 | 2462 | 19.29 | 19.50 | 1.050 | 1.005 | -0.05 | 0.906 | 0.956 |
| 24 | WLAN2.4GHz | 802.11b 1Mbps | Bottom Face | Main-2 | 12 | 2467 | 18.97 | 19.00 | 1.007 | 1.005 | -0.07 | 0.763 | 0.772 |
| 25 | WLAN2.4GHz | 802.11b 1Mbps | Bottom Face | Main-2 | 13 | 2472 | 18.84 | 19.00 | 1.038 | 1.005 | -0.05 | 0.456 | 0.475 |
| 29 | WLAN2.4GHz | 802.11b 1Mbps | Edge 3 | Main-2 | 6 | 2437 | 19.40 | 19.50 | 1.023 | 1.005 | -0.14 | 0.176 | 0.181 |
| 28 | WLAN2.4GHz | 802.11b 1Mbps | Edge 4 | Main-2 | 6 | 2437 | 19.40 | 19.50 | 1.023 | 1.005 | -0.04 | 0.522 | 0.537 |
| 48 | WLAN5GHz | 802.11ac VHT80 MCS0 | Bottom Face | Aux-1 | 58 | 5290 | 16.44 | 16.50 | 1.014 | 1.010 | -0.13 | 0.188 | 0.193 |
| 39 | WLAN5GHz | 802.11ac VHT80 MCS0 | Edge 3 | Aux-1 | 58 | 5290 | 16.44 | 16.50 | 1.014 | 1.010 | -0.13 | 0.973 | 0.996 |
| 47 | WLAN5GHz | 802.11n HT40 MCS0 | Bottom Face | Main-2 | 54 | 5270 | 18.87 | 19.00 | 1.030 | 1.013 | -0.13 | 0.379 | 0.396 |
| 19 | WLAN5GHz | 802.11n HT40 MCS0 | Edge 3 | Main-2 | 54 | 5270 | 18.87 | 19.00 | 1.030 | 1.013 | -0.07 | 0.00985 | 0.010 |
| 17 | WLAN5GHz | 802.11n HT40 MCS0 | Edge 4 | Main-2 | 54 | 5270 | 18.87 | 19.00 | 1.030 | 1.013 | -0.1 | 1.130 | 1.179 |
| 18 | WLAN5GHz | 802.11n HT40 MCS0 | Edge 4 | Main-2 | 62 | 5310 | 16.29 | 16.50 | 1.050 | 1.013 | -0.1 | 0.578 | 0.615 |
| 49 | WLAN5GHz | 802.11ac VHT80 MCS0 | Front Face | Aux-1 | 122 | 5610 | 17.49 | 17.50 | 1.002 | 1.010 | -0.1 | 0.283 | 0.286 |
| 42 | WLAN5GHz | 802.11ac VHT80 MCS0 | Bottom Face | Aux-1 | 122 | 5610 | 17.49 | 17.50 | 1.002 | 1.010 | -0.17 | 1.150 | 1.164 |
| 41 | WLAN5GHz | 802.11ac VHT80 MCS0 | Edge2 | Aux-1 | 106 | 5530 | 17.38 | 17.50 | 1.028 | 1.010 | -0.11 | 0.953 | 0.989 |
| 40 | WLAN5GHz | 802.11ac VHT80 MCS0 | Edge3 | Aux-1 | 138 | 5690 | 17.48 | 17.50 | 1.005 | 1.010 | -0.01 | 0.964 | 0.978 |
| 45 | WLAN5GHz | 802.11ac VHT80 MCS0 | Bottom Face | Main-2 | 138 | 5690 | 20.79 | 21.00 | 1.050 | 1.010 | -0.07 | 0.53900 | 0.571 |
| 44 | WLAN5GHz | 802.11ac VHT80 MCS0 | Edge 1 | Main-2 | 138 | 5690 | 20.79 | 21.00 | 1.050 | 1.010 | -0.07 | 0.001 | 0.001 |
| 20 | WLAN5GHz | 802.11ac VHT80 MCS0 | Edge 3 | Main-2 | 138 | 5690 | 20.79 | 21.00 | 1.050 | 1.010 | -0.09 | 0.068 | 0.072 |
| 9 | WLAN5GHz | 802.11ac VHT80 MCS0 | Edge 4 | Main-2 | 138 | 5690 | 20.79 | 21.00 | 1.050 | 1.010 | -0.16 | 1.080 | 1.145 |
| 15 | WLAN5GHz | 802.11ac VHT80 MCS0 | Edge 4 | Main-2 | 106 | 5530 | 17.79 | 18.00 | 1.050 | 1.010 | -0.12 | 0.449 | 0.476 |
| 16 | WLAN5GHz | 802.11ac VHT80 MCS0 | Edge 4 | Main-2 | 122 | 5610 | 19.61 | 20.00 | 1.094 | 1.010 | -0.16 | 0.757 | 0.836 |
| 50 | WLAN5GHz | 802.11ac VHT80 MCS0 | Bottom Face | Aux-1 | 155 | 5775 | 15.93 | 16.00 | 1.016 | 1.010 | -0.14 | 0.201 | 0.206 |
| 43 | WLAN5GHz | 802.11ac VHT80 MCS0 | Edge 3 | Aux-1 | 155 | 5775 | 15.93 | 16.00 | 1.016 | 1.010 | -0.13 | 0.870 | 0.893 |
| 46 | WLAN5GHz | 802.11n HT40 MCS0 | Edge2 | Main-2 | 159 | 5795 | 19.625 | 19.92 | 1.019 | 1.013 | -0.03 | 0.562 | 0.580 |
| 54 | WLAN5GHz | 802.11n HT40 MCS0 | Edge3 | Main-2 | 159 | 5795 | 19.625 | 19.92 | 1.019 | 1.013 | 0 | 0.001 | 0.001 |
| 21 | WLAN5GHz | 802.11n HT40 MCS0 | Front Face | Main-2 | 159 | 5795 | 19.625 | 19.92 | 1.019 | 1.013 | -0.05 | 0.086 | 0.089 |
| 13 | WLAN5GHz | 802.11n HT40 MCS0 | Bottom Face | Main-2 | 159 | 5795 | 19.625 | 19.92 | 1.019 | 1.013 | 0.03 | 1.150 | 1.187 |
| 14 | WLAN5GHz | 802.11n HT40 MCS0 | Edge4 | Main-2 | 151 | 5755 | 19.5 | 19.89 | 1.026 | 1.013 | -0.19 | 0.947 | 0.984 |
| 34 | Bluetooth | 1Mbps | Bottom Face | Aux-1 | 39 | 2441 | 9.92 | 10.00 | 1.019 | 1.082 | -0.13 | 0.012 | 0.013 |
| 35 | Bluetooth | 1Mbps | Edge 3 | Aux-1 | 39 | 2441 | 9.92 | 10.00 | 1.019 | 1.082 | -0.13 | 0.035 | 0.039 |
| 36 | Bluetooth | 1Mbps | Edge 3 | Aux-1 | 00 | 2402 | 9.77 | 10.00 | 1.054 | 1.082 | -0.15 | 0.033 | 0.038 |
| 37 | Bluetooth | 1Mbps | Edge 3 | Aux-1 | 78 | 2480 | 9.81 | 10.00 | 1.045 | 1.082 | -0.11 | 0.045 | 0.051 |

8.8.3 SAR Measurement Variability

According to KDB 865664 D01, SAR measurement variability was assessed for each frequency band, which is determined by the SAR probe calibration point and tissue-equivalent medium used for the device measurements. When both head and body tissue-equivalent media are required for SAR measurements in a frequency band, the variability measurement procedures should be applied to the tissue medium with the highest measured SAR, using the highest measured SAR configuration for that tissue-equivalent medium. Alternatively, if the highest measured SAR for both head and body tissue-equivalent media are ≤ 1.45 W/kg and the ratio of these highest SAR values, i.e., largest divided by smallest value, is ≤ 1.10 , the highest SAR configuration for either head or body tissue-equivalent medium may be used to perform the repeated measurement. These additional measurements are repeated after the completion of all measurements requiring the same head or body tissue-equivalent medium in a frequency band. The test device should be returned to ambient conditions (normal room temperature) with the battery fully charged before it is remounted on the device holder for the repeated measurement(s) to minimize any unexpected variations in the repeated results.

8.8.4 SAR Results for Repeat Test (Separation Distance is 0mm Gap)

| Plot No. | Band | Mode | Test Position | Antenna | Ch. | Frequency (MHz) | Measured Conducted Power (dBm) | Max. Tune-up Power (dBm) | Tune-up Scaling Factor | Duty Cycle Scaling Factor | Power Drift (dB) | Measured SAR-1g (W/kg) | Reported SAR-1g (W/kg) |
|----------|------------|---------------------|---------------|---------|-----|-----------------|--------------------------------|--------------------------|------------------------|---------------------------|------------------|------------------------|------------------------|
| 22 | WLAN2.4GHz | 802.11b 1Mbps | Bottom Face | Main-2 | 11 | 2462 | 19.29 | 19.50 | 1.050 | 1.005 | -0.05 | 0.906 | 0.956 |
| 38 | WLAN2.4GHz | 802.11b 1Mbps | Bottom Face | Main-2 | 11 | 2462 | 19.29 | 19.50 | 1.050 | 1.005 | -0.07 | 0.885 | 0.933 |
| 17 | WLAN5GHz | 802.11n-HT40 MCS0 | Edge 4 | Main-2 | 54 | 5270 | 18.87 | 19.00 | 1.030 | 1.013 | -0.1 | 1.130 | 1.179 |
| 51 | WLAN5GHz | 802.11n-HT40 MCS0 | Edge 4 | Main-2 | 54 | 5270 | 18.87 | 19.00 | 1.030 | 1.013 | 0.08 | 1.110 | 1.159 |
| 42 | WLAN5GHz | 802.11ac VHT80 MCS0 | Edge 3 | Aux-1 | 122 | 5610 | 17.49 | 17.50 | 1.002 | 1.010 | -0.17 | 1.150 | 1.164 |
| 53 | WLAN5GHz | 802.11ac VHT80 MCS0 | Edge 3 | Aux-1 | 122 | 5610 | 17.49 | 17.50 | 1.002 | 1.010 | -0.12 | 1.100 | 1.114 |
| 13 | WLAN5GHz | 802.11n-HT40 MCS0 | Edge 4 | Main-2 | 159 | 5795 | 19.92 | 20.00 | 1.019 | 1.013 | 0.03 | 1.150 | 1.187 |
| 52 | WLAN5GHz | 802.11n-HT40 MCS0 | Edge 4 | Main-2 | 159 | 5795 | 19.92 | 20.00 | 1.019 | 1.013 | -0.19 | 1.070 | 1.104 |

8.8.5 Simultaneous Multi-band Transmission Evaluation
<SAR Summation Analysis>

Simultaneous transmission SAR test exclusion is determined for each operating configuration and exposure condition according to the reported standalone SAR of each applicable simultaneous transmitting antenna. When the sum of SAR_{1g} of all simultaneously transmitting antennas in an operating mode and exposure condition combination is within the SAR limit (SAR_{1g} 1.6 W/kg and SAR_{10g} 4 W/kg), the simultaneous transmission SAR is not required. When the sum of SAR_{1g} is greater than the SAR limit (SAR_{1g} 1.6 W/kg and SAR_{10g} 4 W/kg), SAR test exclusion is determined by the SPLSR.

| Body | Reported SAR (W/kg) | | | | | 2+5 Summed 1g SAR (W/kg) | 1+2 Summed 1g SAR (W/kg) | 4+5 Summed 1g SAR (W/kg) | 3+4 Summed 1g SAR (W/kg) | 3+4+5 Summed 1g SAR (W/kg) |
|-------------------|-------------------------|-------------------------|-----------------------|-----------------------|-------------------------|-----------------------------------|-----------------------------------|-----------------------------------|-----------------------------------|-------------------------------------|
| | 1 | 2 | 3 | 4 | 5 | | | | | |
| Exposure Position | 2.4GHz WLAN Ant 1 | 2.4GHz WLAN Ant 2 | 5GHz WLAN Ant 1 | 5GHz WLAN Ant 2 | Bluetooth (estimate) | | | | | |
| Bottom Face | 0.316 | 0.956 | 0.286 | 0.580 | 0.013 | 0.969 | 1.272 | 0.593 | 0.866 | 0.879 |
| Edge1 | | | | 0.001 | | 0.000 | 0.000 | 0.001 | 0.001 | 0.001 |
| Edge2 | | | | | | 0.000 | 0.000 | 0.000 | 0.000 | 0.000 |
| Edge3 | 0.909 | 0.181 | 1.164 | 0.089 | 0.051 | 0.232 | 1.090 | 0.140 | 1.253 | 1.304 |
| Edge4 | | 0.537 | | 1.187 | | 0.537 | 0.537 | 1.187 | 1.187 | 1.187 |

Note: The sum of value is less than 1.6W/Kg, thus simultaneous SAR testing is not needed.

9. Appendixes

Appendix A – SAR Plots of System Verification

Appendix B – SAR Plots of SAR Measurement

Appendix C – Calibration Certificate for Probe and Dipole

Appendix D – Photographs of the Test Set-Up

---END---

APPENDIX A – SAR PLOTS OF SYSTEM VERIFICATION

System Check_HSL2450MHz

DUT: D2450V2 - SN804

Communication System: CW; Frequency: 2450 MHz; Duty Cycle: 1:1

Medium: HSL2450_231002 Medium parameters used: $f = 2450$ MHz; $\sigma = 1.856$ S/m; $\epsilon_r = 40.406$; $\rho = 1000$ kg/m³

Ambient Temperature : 23.3 °C; Liquid Temperature : 22.3°C

DASY Configuration:

- Electronics: DAE4 Sn855; Calibrated: 2023/4/25
- Probe: EX3DV4 - SN7400; ConvF(7.69, 7.69, 7.69) @ 2450 MHz; Calibrated: 2023/4/28
- Sensor-Surface: 1.4mm (Mechanical Surface Detection), $z = -4.0, 31.0$
- Phantom: ELI V5.0 (20deg probe tilt); Type: QD OVA 002 AA; Serial: 1153
- DASY52 52.10.4(1535); SEMCAD X 14.6.14(7501)

Pin=250mW/Area Scan (8x8x1): Measurement grid: $dx=12$ mm, $dy=12$ mm

Maximum value of SAR (measured) = 15.8 W/kg

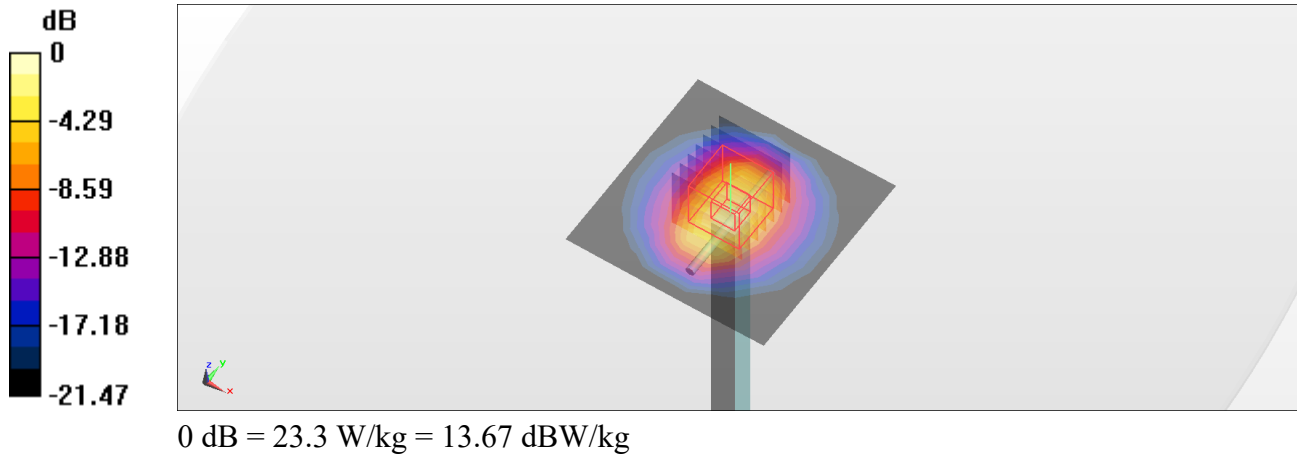
Pin=250mW/Zoom Scan (7x7x7)/Cube 0: Measurement grid: $dx=5$ mm, $dy=5$ mm, $dz=5$ mm

Reference Value = 115.5 V/m; Power Drift = -0.09 dB

Peak SAR (extrapolated) = 28.9 W/kg

SAR(1 g) = 13.9 W/kg; SAR(10 g) = 6.53 W/kg

Maximum value of SAR (measured) = 23.3 W/kg



System Check_HSL5250MHz

DUT: D5GHzV2 - SN1235

Communication System: CW; Frequency: 5250 MHz; Duty Cycle: 1:1

Medium: HSL5G_231004 Medium parameters used: $f = 5250$ MHz; $\sigma = 4.564$ S/m; $\epsilon_r = 36.931$; $\rho = 1000$ kg/m³

Ambient Temperature : 23.4 °C; Liquid Temperature : 22.5°C

DASY Configuration:

- Electronics: DAE4 Sn855; Calibrated: 2023/4/25
- Probe: EX3DV4 - SN7400; ConvF(5.07, 5.07, 5.07) @ 5250 MHz; Calibrated: 2023/4/28
- Sensor-Surface: 1.4mm (Mechanical Surface Detection), $z = -9.0, 23.0$
- Phantom: ELI V5.0 (20deg probe tilt); Type: QD OVA 002 AA; Serial: 1153
- DASY52 52.10.4(1535); SEMCAD X 14.6.14(7501)

Pin=100mW/Area Scan (9x9x1): Measurement grid: $dx=10$ mm, $dy=10$ mm

Maximum value of SAR (measured) = 20.3 W/kg

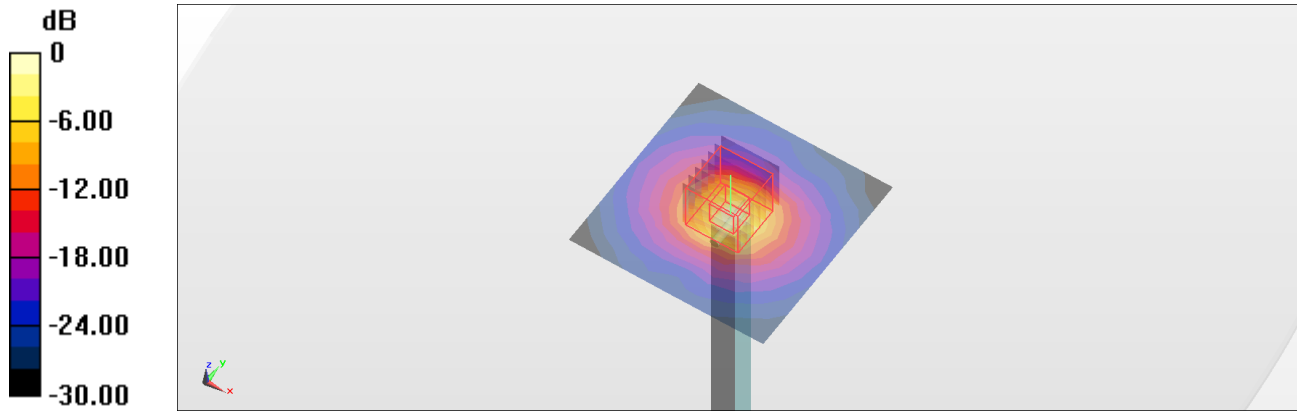
Pin=100mW/Zoom Scan (7x7x7)/Cube 0: Measurement grid: $dx=4$ mm, $dy=4$ mm, $dz=1.4$ mm

Reference Value = 73.65 V/m; Power Drift = -0.13 dB

Peak SAR (extrapolated) = 32.4 W/kg

SAR(1 g) = 8.09 W/kg; SAR(10 g) = 2.34 W/kg

Maximum value of SAR (measured) = 20.3 W/kg



0 dB = 20.3 W/kg = 13.07 dBW/kg

System Check_HSL5600MHz

DUT: D5GHzV2 - SN1235

Communication System: CW; Frequency: 5600 MHz; Duty Cycle: 1:1

Medium: HSL5G_231004 Medium parameters used: $f = 5600$ MHz; $\sigma = 4.924$ S/m; $\epsilon_r = 36.48$; $\rho = 1000$ kg/m³

Ambient Temperature : 23.4 °C; Liquid Temperature : 22.5°C

DASY Configuration:

- Electronics: DAE4 Sn855; Calibrated: 2023/4/25
- Probe: EX3DV4 - SN7400; ConvF(4.72, 4.72, 4.72) @ 5600 MHz; Calibrated: 2023/4/28
- Sensor-Surface: 1.4mm (Mechanical Surface Detection), $z = -9.0, 23.0$
- Phantom: ELI V5.0 (20deg probe tilt); Type: QD OVA 002 AA; Serial: 1153
- DASY52 52.10.4(1535); SEMCAD X 14.6.14(7501)

Pin=100mW/Area Scan (9x9x1): Measurement grid: $dx=10$ mm, $dy=10$ mm

Maximum value of SAR (measured) = 22.3 W/kg

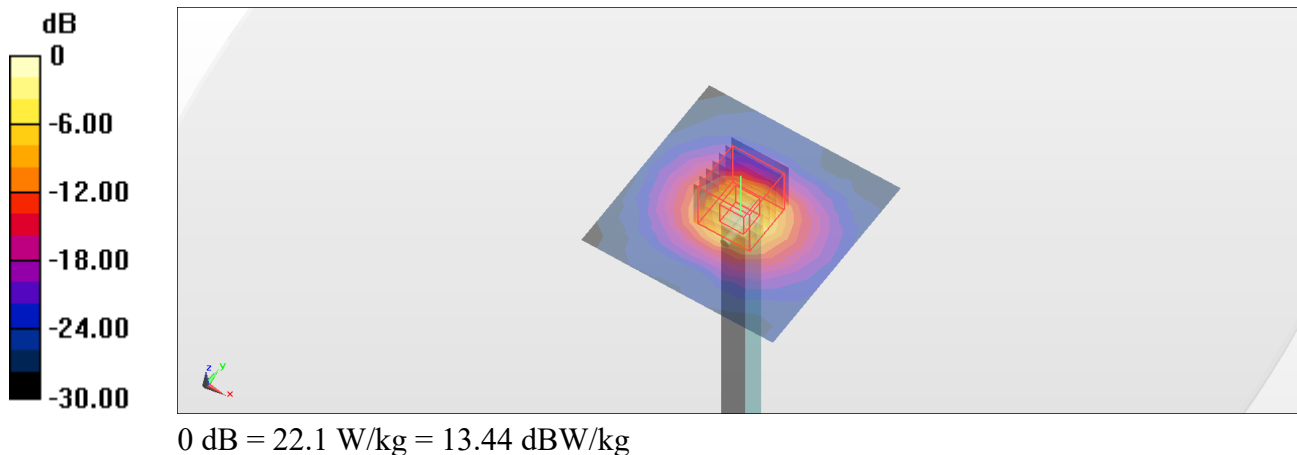
Pin=100mW/Zoom Scan (7x7x7)/Cube 0: Measurement grid: $dx=4$ mm, $dy=4$ mm, $dz=1.4$ mm

Reference Value = 74.28 V/m; Power Drift = -0.06 dB

Peak SAR (extrapolated) = 37.2 W/kg

SAR(1 g) = 8.55 W/kg; SAR(10 g) = 2.47 W/kg

Maximum value of SAR (measured) = 22.1 W/kg



System Check_HSL5750MHz

DUT: D5GHzV2 - SN1235

Communication System: CW; Frequency: 5750 MHz; Duty Cycle: 1:1

Medium: HSL5G_231004 Medium parameters used: $f = 5750$ MHz; $\sigma = 5.083$ S/m; $\epsilon_r = 36.314$; $\rho = 1000$ kg/m³

Ambient Temperature : 23.4 °C; Liquid Temperature : 22.5°C

DASY Configuration:

- Electronics: DAE4 Sn855; Calibrated: 2023/4/25
- Probe: EX3DV4 - SN7400; ConvF(4.8, 4.8, 4.8) @ 5750 MHz; Calibrated: 2023/4/28
- Sensor-Surface: 1.4mm (Mechanical Surface Detection), $z = -9.0, 23.0$
- Phantom: ELI V5.0 (20deg probe tilt); Type: QD OVA 002 AA; Serial: 1153
- DASY52 52.10.4(1535); SEMCAD X 14.6.14(7501)

Pin=100mW/Area Scan (9x9x1): Measurement grid: $dx=10$ mm, $dy=10$ mm

Maximum value of SAR (measured) = 21.4 W/kg

Pin=100mW/Zoom Scan (7x7x7)/Cube 0: Measurement grid: $dx=4$ mm, $dy=4$ mm, $dz=1.4$ mm

Reference Value = 71.70 V/m; Power Drift = -0.06 dB

Peak SAR (extrapolated) = 37.5 W/kg

SAR(1 g) = 8.2 W/kg; SAR(10 g) = 2.36 W/kg

Maximum value of SAR (measured) = 21.5 W/kg

