



Enterasys Networks
 50 Minuteman Road
 Andover, MA 01810

SPEC NUMBER	SPEC REV	DESCRIPTION OF CHANGE	DATE	APPROVED
8910616-00	41	Released via ECO # P001689	17-Nov-04	WFM
8910616-00	0A	Released via ECO # 26499	11 Dec 04	WFM

Subject: RBTES-BG-PAR24M

Product Description: 2.4 GHz Parabolic Antenna Assy (Reverse N Connector) for use with Wireless 802.11a/b/g RoamAbout Outdoor Antenna.

Model Number	Model Revision		Country of Origin
RBTES-BG-PAR24M	0A		Not restricted

Overview

This document is intended ONLY as an aid to incoming inspection.

The RBTES-BG-PAR24M is purchased as an Enterasys Branded Product. Current Supplier Spec is stored at Enterasys in AGILE at the Model Level with any other supporting Documents under ECO Control.

This Assembly is intended to be used with RBTBH RoamAbout Wireless Products.

Reference Documents:

Packaging

The Antenna is to be packaged in an Enterasys Branded Shipping Package with no markings that indicate the supplier name. The shipping Package should contain the Antenna and related Mounting Hardware. The Antenna will contain a Label with the Enterasys Logo and the Enterasys Model Number. In addition, there will be an Installation Guide (see attachment in ECO).

There should be no documentation in the package that make reference to the Supplier.

See Enterasys Standards 010, and 021.

Shipping Package size is 8.75 x 35.00 x 47.75 inches.

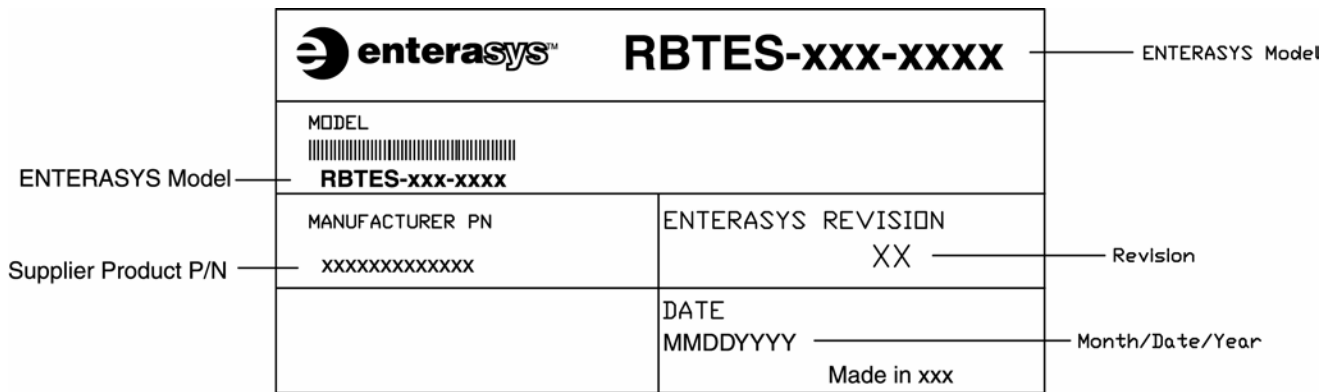
Package Contents:

- 1 Antenna (**NOTE: CONNECTOR CENTER CONTACT: MALE**)
- 2 Antenna Mounting Kit (Shown in Quick Install Guide – see Pages 4, 5, and 6 of this Spec)
- 3 Quick Install Guide (See Pages 4, 5, and 6 of this Spec)
- 4 Weatherproof Patch (not shown)
- 5 Yellow “Danger Label”

Label

Pictures below are for reference only. For actual field requirements, use STD 010 Enterasys Label and Packaging Standard.

Unit Pack label (Box)



Unit Pack Label per STD 010

Danger Label

The following “Danger” Label is packaged loose piece with each antenna:



Z2092 Parabolic Grid Antenna



The Z2092 parabolic grid antenna covers the 2.4-2.7 GHz ISM bands and is designed for use in wireless ISP applications requiring minimum wind loading and maximum durability. This antenna provides WISPs cost-effective antenna solutions for high volume CPE deployments. It is ideal for point-to-point or wireless bridging applications.

General Specifications:

2.4-2.7 GHz parabolic grid antenna

Grid Material :

Zinc plated cold rolled steel with polyester powder coat

Termination:

24" low loss 240 cable with reverse polarity N female jack

Polarization:

Vertical and horizontal

Lighting Protection:

DC grounded

Mounting Method:

Standard U-bolt steel mast clamp complete with mounting hardware. Designed for masts of up to 2.5" O.D.

Nominal Impedance:

50 Ohms

VSWR:

< 1.5: 1



Features and Benefits

- Zinc plated cold rolled steel with polyester powder coat finish provides maximum protection against the elements for long lasting performance.
- High gain performance in a compact design provides maximum value and reliability for WISP wireless bridging applications.

Electrical Specifications

Model #	Frequency Range	Gain	Front-to - Back Ratio	Horizontal Plane Beamwidth	Vertical Plane Beamwidth
Z2092	2400-2700 MHz	23.5 dBi	> 24 dB	7°	9°

Mechanical Specifications

Model #	Wind Load	Azimuth Tilt Adjustment	Dimensions	Weight	Operating Temperature	Cable
Z2092	40 lbs.	80°	34" L x 29" W x 19" H	6 lbs.	-40°C to +80°C	24" low loss 240



50 Minuteman Road
Andover, MA 01810



RBTES-BG-PAR24M
Parabolic Grid Antenna

© 2004, Enterasys Networks, Inc. All rights reserved

Part #: MIS-Z2092
Printed in the U.S.A.



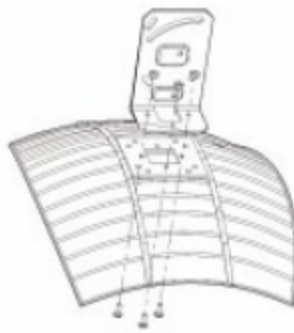
Assembly Instructions

Assemble the reflector to the mounting bracket in the required polarity.

STEP 1 Properly securing the mounting bracket will allow the antenna to be adjusted to line up with the transmitter. Ensure the bracket is mounted exactly as shown.

When assembling the dipole to the reflector ensure they are correctly oriented as shown below.

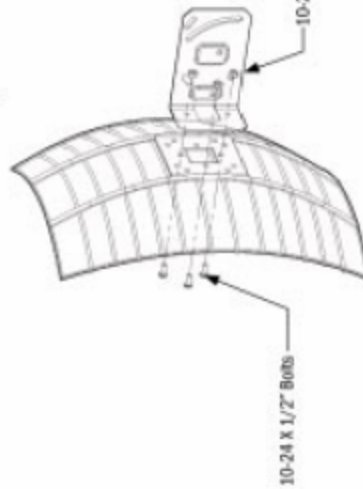
Vertical Polarity



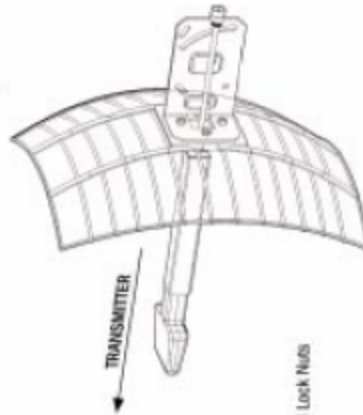
Vertical Polarity



Horizontal Polarity



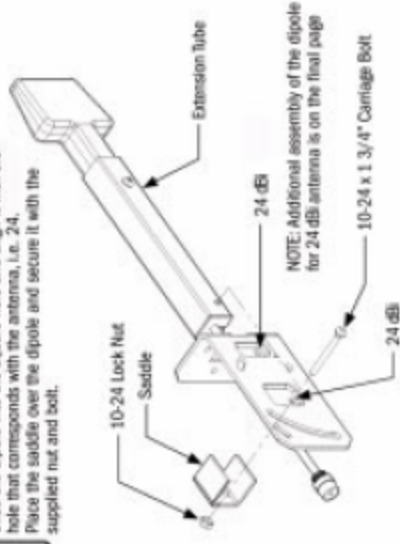
Horizontal Polarity



NOTE: IT IS RECOMMENDED THAT THE ASSEMBLY BE COMPLETED TO STEP 3 BEFORE CLIMBING TO THE MOUNT LOCATION.

STEP 2

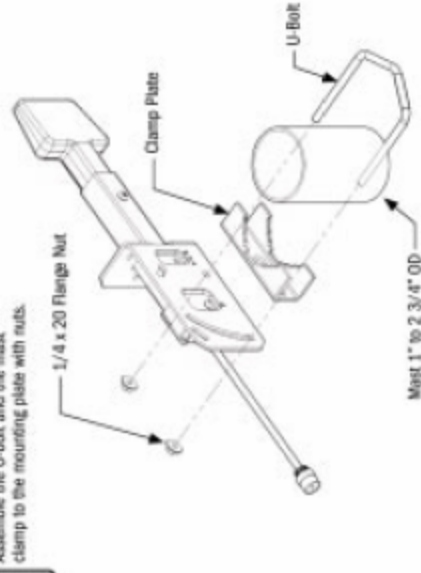
Slide the dipole into the square hole and align it with the hole that corresponds with the antenna, i.e. 24. Place the saddle over the dipole and secure it with the supplied nut and bolt.



NOTE: Additional assembly of the dipole for 24 dB antenna is on the final page

STEP 3

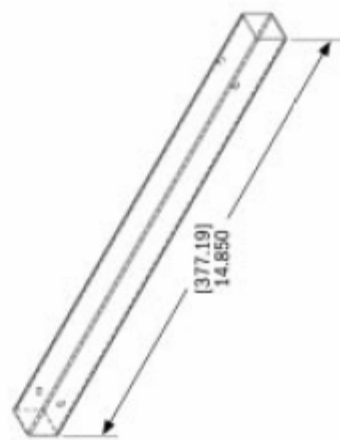
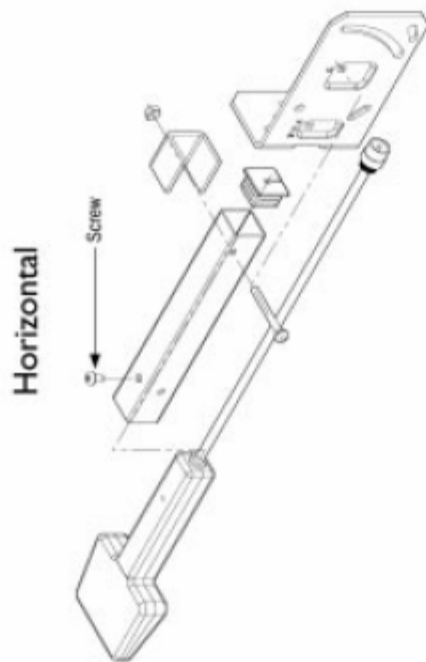
Assemble the U-bolt and the mast clamp to the mounting plate with nuts.



STEP 4

Slide the antenna assembly over the top of the mast and finger tighten the nuts on the clamp assembly. Aim the antenna towards the transmitter and then tighten the nuts firmly

enterasys™ Additional Instructions - Passive Feed



For 24dBi Antenna Grid