

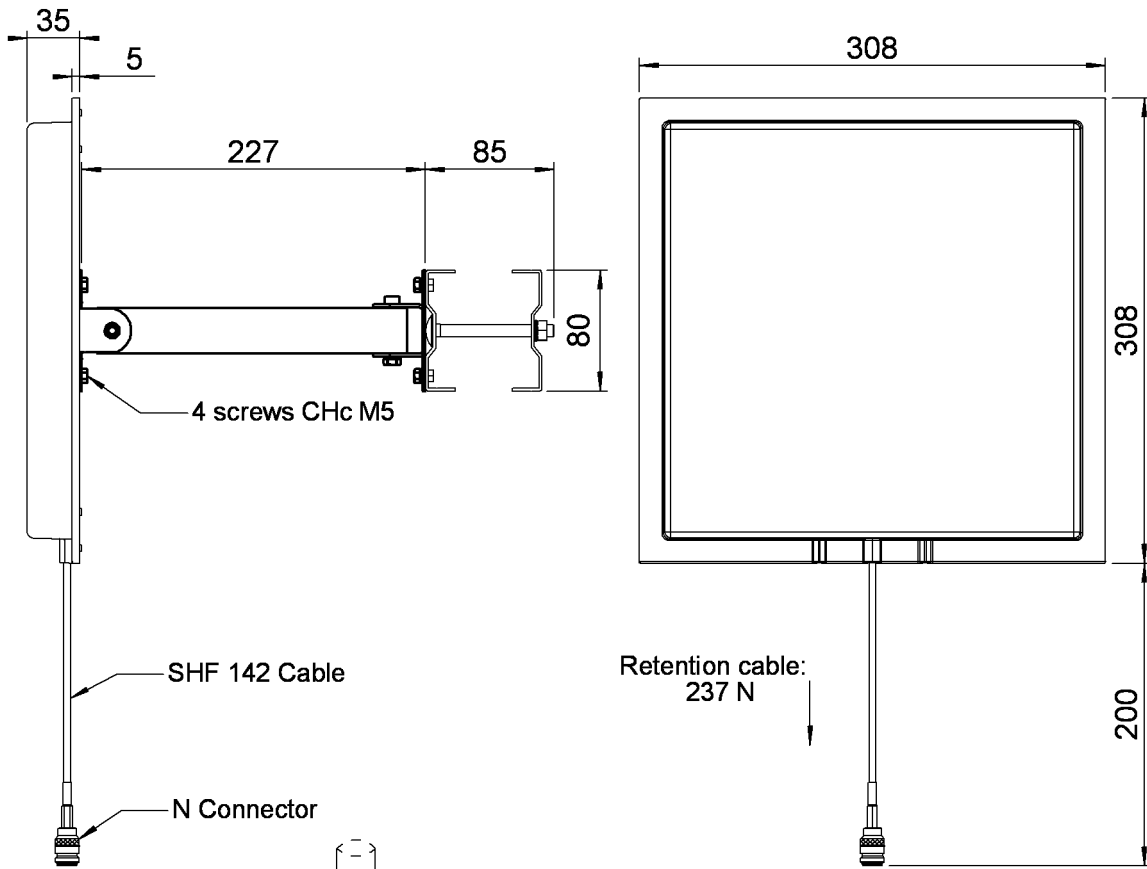
5.8 GHZ PLANAR ARRAY - 23DBI V. POLAR.

R380.700.203

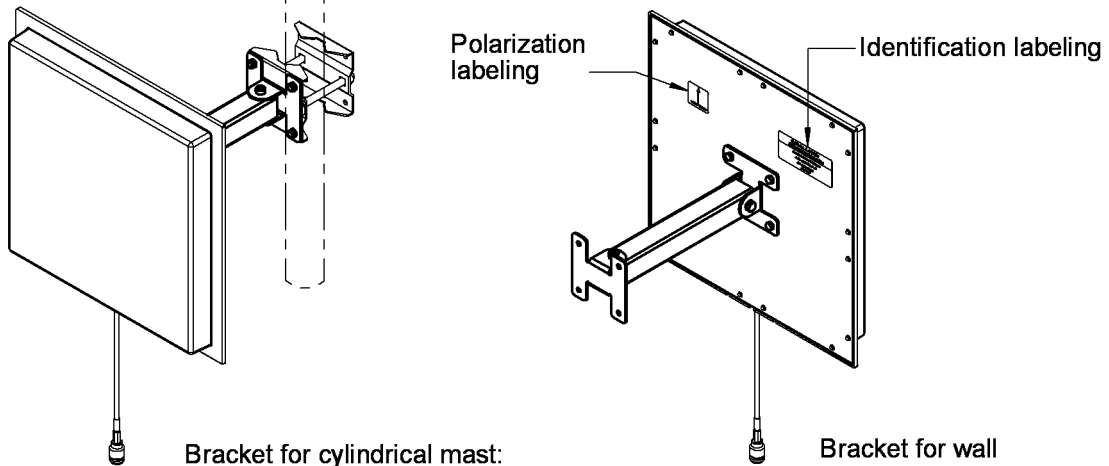
DIRECTIONAL ANTENNA

Series : ANTENNE

Scale 1:5



Scale 1:8



Bracket for cylindrical mast:
 Ø 50 maxi
 Ø 30 mini

All dimensions are in mm



Issue : 0248 A

In the effort to improve our products, we reserve the right to make changes judged to be necessary.

PROFILING

5.8 GHZ PLANAR ARRAY - 23DBI V. POLAR.

R380.700.203

DIRECTIONAL ANTENNA

Series : ANTENNE

ELECTRICAL CHARACTERISTICS

Frequency : **5.725-5.825 GHz**
 Nominal Impedance : **50 Ω**
 VSWR : **<1.5 Max**

 Gain (Radiating element) : **22.5 dBi (Typ)**
 Gain (Overall gain) : **21.7 dBi (Typ)**

Radiation Pattern (conformity with EN 302 085 V1.1.1, TS3 Range 1) :

-3 dB beamwidth

Horizontal Plane : **11.7 ° (Typ)**

Vertical Plane : **14.5 ° (Typ)**

Side lobe level

0° <angle< 90° : **<-15 dB**

90° <angle< 120° : **<-20 dB**

120° <angle< 180° : **<-30 dB**

Cross Polarization level

Horizontal Plane : **-17 dB Max**

Vertical Plane : **NA dB**

Front to back ratio : **-30 dB**

Polarization : **VERTICAL**

Power withstanding : **20 W**

Connector type : **N (R161.237.000)**

Cable type : **SHF 142**

Length : **200 mm ± 4 mm**

Issue : 0248 A

In the effort to improve our products, we reserve the right to make changes judged to be necessary.

RADIALL / LARSEN
 antenna technologies

5.8 GHZ PLANAR ARRAY - 23DBI V. POLAR.

R380.700.203

DIRECTIONAL ANTENNA

Series : ANTENNE

MECHANICAL CHARACTERISTICS

Plastic radome :	UV resistant PP
Color :	WHITE RAL 9001
Ingress Protection :	IP 55 (IEC 529)
Weight :	2550 g
Wind-loading at 100 mph (160 Km/h) in accordance with the ANSI/TIA/EIA-222-F :	
Front F max :	44.5 (198) lb (N)
Twisting Moment M max :	2.15 (2.9) lb.ft (N.m)
Overall length :	308 x 308 x 35 mm
Cable retention : Pull off :	237 N mini
Fixing system :	Bracket + Wall Mounting
Azimuth adjustment	±40 ° ± 4°
Elevation adjustment	±40 ° ± 4°

ENVIRONMENTAL CHARACTERISTICS

Operating temperature :	-40/+70 ° C
Temperature :	
Stationary	-45/+60 ° C (1),(2)
Cyclic	-45°C - +60°C Rate 0.5°C/min (3)
Humidity :	
Stationary	93% @ 30° C (4)
Cyclic	90% @ 30° C (5)
Vibration	
Sinusoidal.....	±5 mm / 2 m/s² (6)
Random	0.03 g²/Hz (7)
Drop test :	0.8 m (8)

Issue : 0248 A

In the effort to improve our products, we reserve the right to make changes judged to be necessary.

RADIALL/LARSEN
antenna technologies

5.8 GHZ PLANAR ARRAY - 23DBI V. POLAR.**R380.700.203****DIRECTIONAL ANTENNA**

Series : ANTENNE

TESTS ENVIRONMENTAL

Test report n° 98-13-7874

- (1) Tests following IEC 68-2-1 Ad
duration: 16 hours @ -45° C
- (2) Tests following IEC 68-2-2 Bd
duration: 16 hours @ +60° C
- (3) Tests following IEC 68-2-14 Nb
temperature changing rate: 0.5°C/min
time at each temperature: 3 hours
2 cycles
- (4) Tests following IEC 68-2-56 Cb
stationary: 93% @ +30° C during 21 days
- (5) Tests following IEC 68-2-30 Db
cyclic: 6 cycles of 12+12 hours
90% - 100% @ +25°C - +30°C
- (6) Tests following IEC 68-2-6 Fc
Frequency range: 5 – 200 –5 Hz
3 directions
duration : 12 mn/cycle
5 cycles in 3 axes
- (7) Tests following IEC 68-2-36 Fb
Level (ASD): 6 grms / F: 10 – 200 Hz
Frequency range: 200 Hz – 2 kHz
3 directions / 10 min per direction
- (8) Tests following IEC 68-2-32 Ed
Height: 0.8 m
1 fall for each face

Issue : 0248 A

In the effort to improve our products, we reserve the right to make changes judged to be necessary.

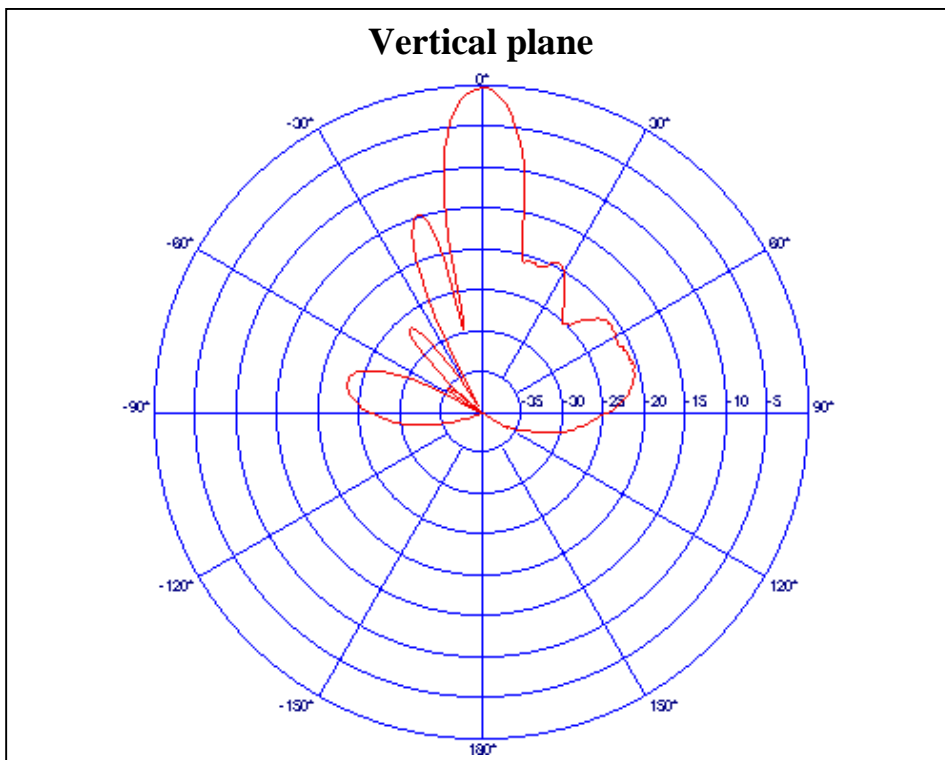
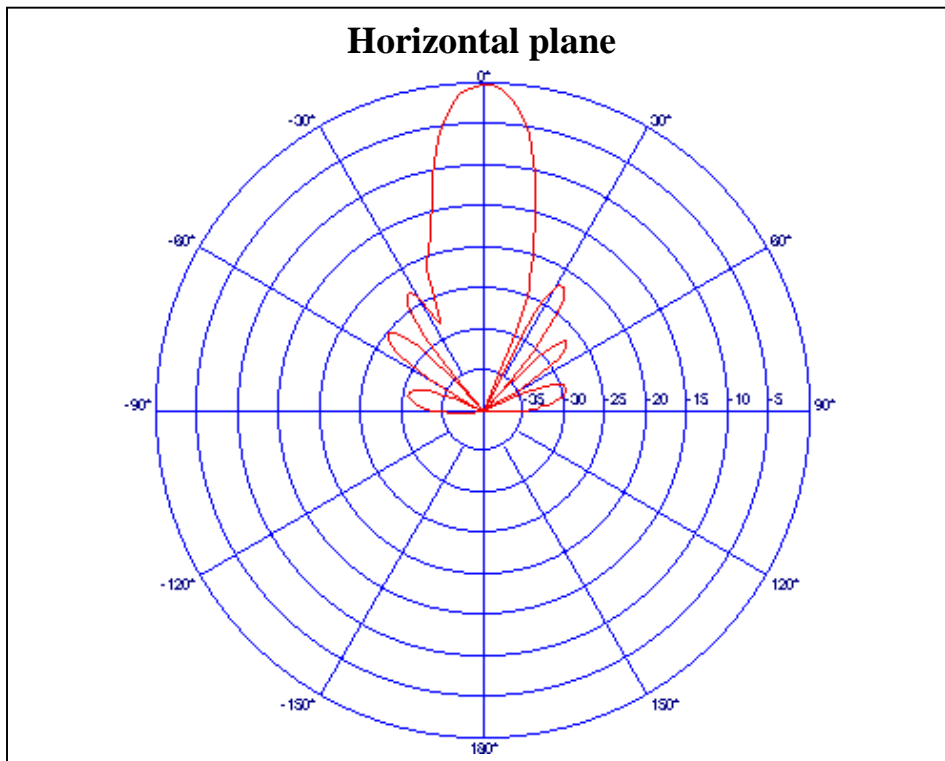
5.8 GHZ PLANAR ARRAY - 23DBI V. POLAR.

R380.700.203

DIRECTIONAL ANTENNA

Series : ANTENNE

CURVES



Issue : 0248 A

In the effort to improve our products, we reserve the right to make changes judged to be necessary.