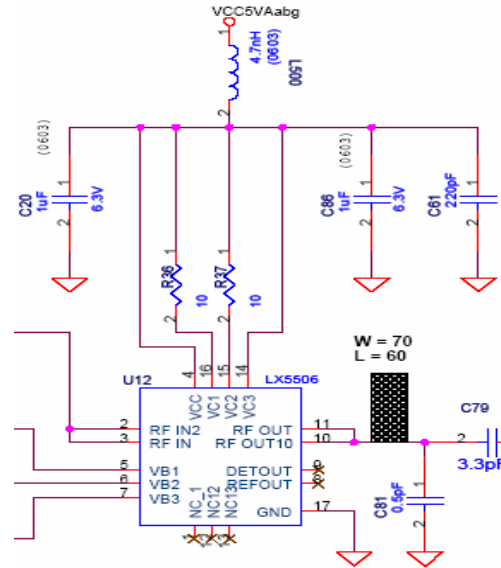


4.9G PA output power 5V output current

Power = 0 dbm	126mA
Power = 1 dbm	128mA
Power = 2 dbm	128mA
Power = 3 dbm	134mA
Power = 4 dbm	136mA
Power = 5 dbm	138mA
Power = 6 dbm	139.6mA
Power = 7 dbm	144mA
Power = 8 dbm	145mA
Power = 9 dbm	150mA
Power = 10 dbm	159mA
Power = 11 dbm	168mA
Power = 12 dbm	173.5mA
Power = 13 dbm	182mA
Power = 14 dbm	194mA
Power = 15 dbm	202mA
Power = 16 dbm	218mA
Power = 17 dbm	241mA
Power = 18 dbm	263mA
Power = 19 dbm	289mA
Power = 20 dbm	338mA
Power = 21 dbm	378mA
Power = 22 dbm	426mA

圖一 PA 電路圖



圖二 PA 5V 電壓產生電路圖

