

Ant1

Horizontal

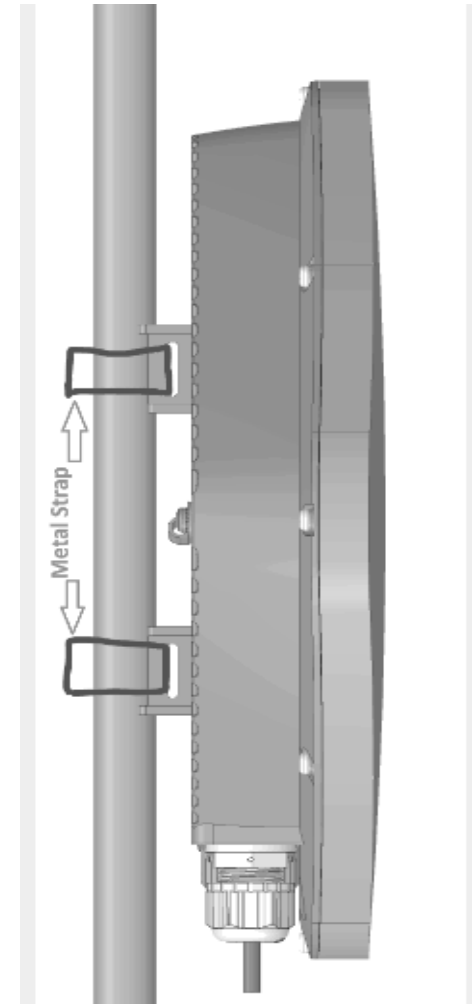
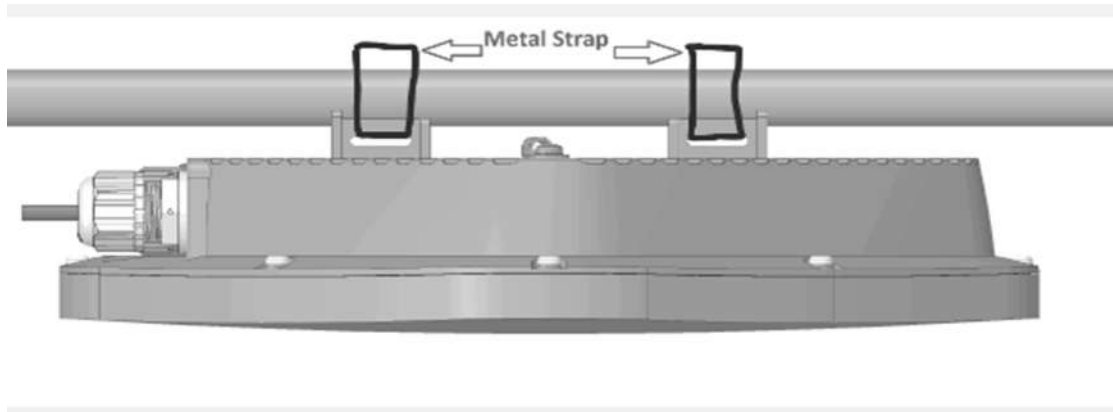
Frequency (MHz)    Peak Gain  
Above 30° (dBi)

2400	-3.81
2450	-3.64
2500	-5.21
5150	-5.31
5350	-5.49
5500	-5.58
5725	-5.31
5850	-5.68

Vertical

Frequency (MHz)    Peak Gain  
Above 30° (dBi)

2400	2.62
2450	2.39
2500	2.38
5150	2.09
5350	2.85
5500	3.11
5725	2.40
5850	2.09



Ant2

Horizontal

Frequency (MHz)	Peak Gain Above 30° (dBi)
-----------------	---------------------------

2400	-4.26
------	-------

2450	-4.30
------	-------

2500	-4.05
------	-------

5150	-5.03
------	-------

5350	-6.10
------	-------

5500	-7.09
------	-------

5725	-6.54
------	-------

5850	-5.43
------	-------

Vertical

Frequency (MHz)	Peak Gain Above 30° (dBi)
-----------------	---------------------------

2400	2.31
------	------

2450	2.37
------	------

2500	2.28
------	------

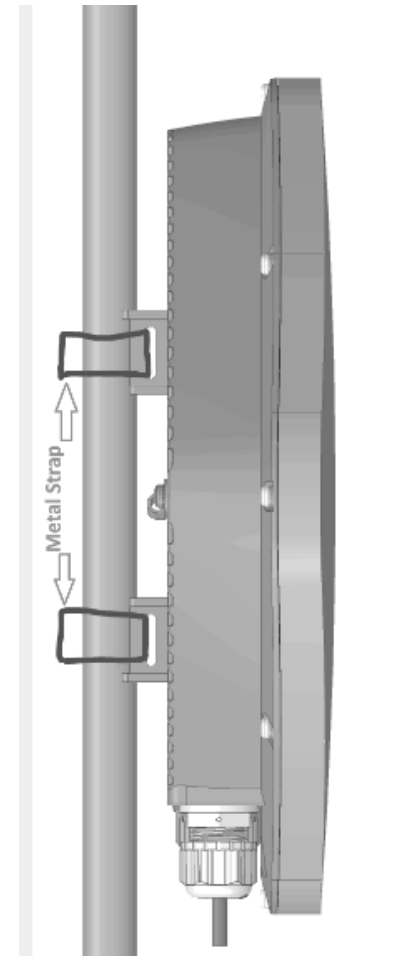
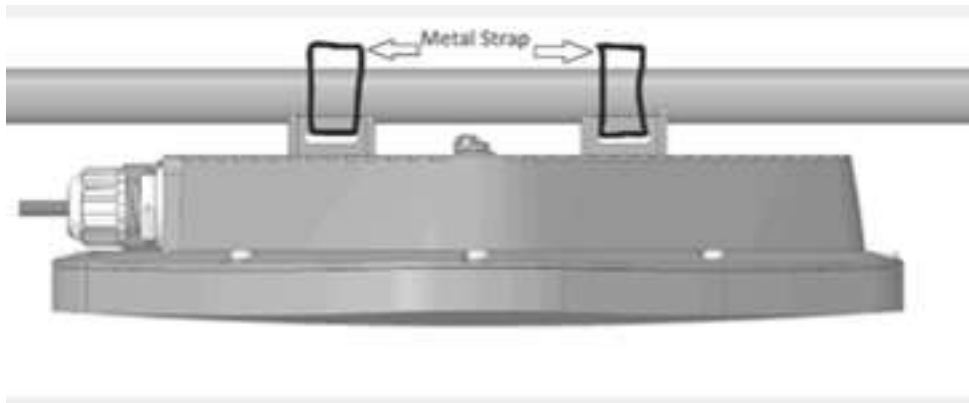
5150	3.14
------	------

5350	2.18
------	------

5500	1.94
------	------

5725	1.83
------	------

5850	2.01
------	------



Ant3

Horizontal

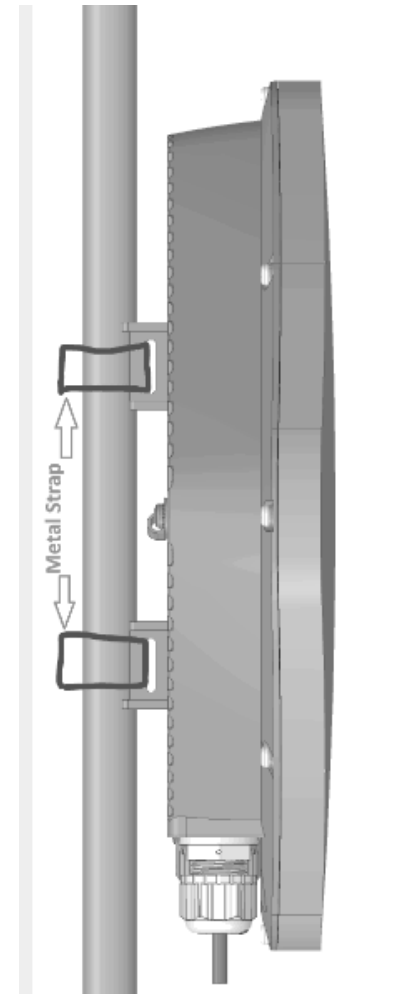
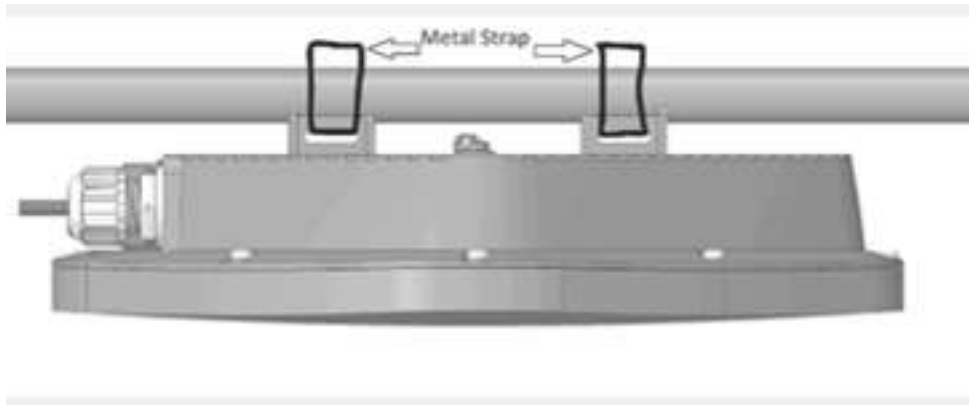
Frequency (MHz)	Peak Gain Above 30° (dBi)
-----------------	---------------------------

2400	-2.05
2450	-1.94
2500	-3.47
5150	-6.23
5350	-4.48
5500	-4.84
5725	-6.25
5850	-5.12

Vertical

Frequency (MHz)	Peak Gain Above 30° (dBi)
-----------------	---------------------------

2400	2.04
2450	2.10
2500	2.47
5150	2.52
5350	1.72
5500	3.27
5725	3.49
5850	3.48



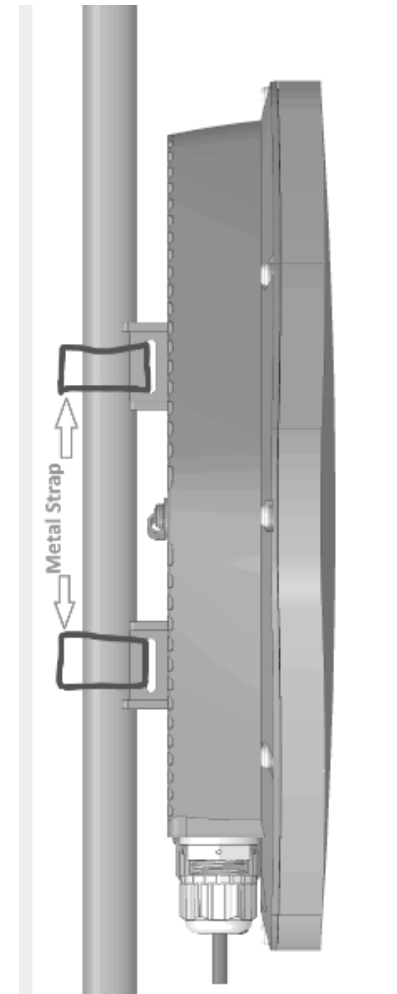
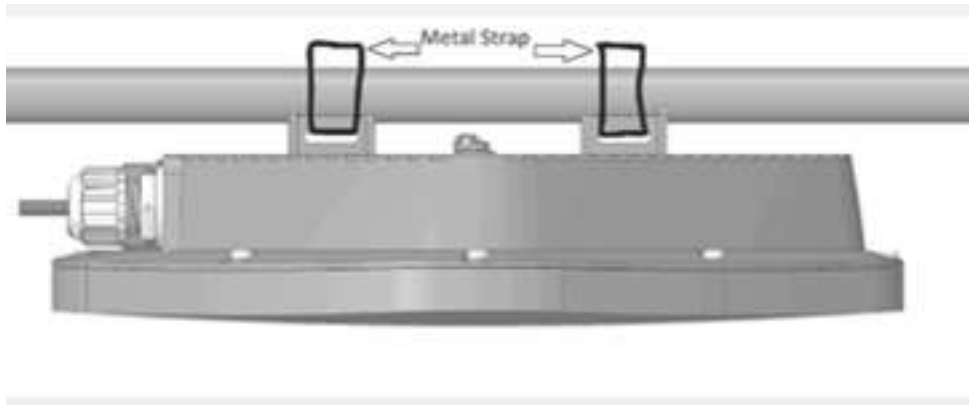
Ant4

Horizontal

Frequency (MHz)	Peak Gain Above 30° (dBi)
2400	-2.46
2450	-2.52
2500	-3.44
5150	-4.86
5350	-4.44
5500	-3.86
5725	-5.68
5850	-5.96

Vertical

Frequency (MHz)	Peak Gain Above 30° (dBi)
2400	2.71
2450	3.43
2500	3.28
5150	3.34
5350	3.42
5500	3.12
5725	2.71
5850	3.15



Ant5

Horizontal

Frequency (MHz)	Peak Gain Above 30° (dBi)
-----------------	---------------------------

5150	-4.05
------	-------

5350	-5.03
------	-------

5500	-5.17
------	-------

5725	-3.32
------	-------

5850	-3.59
------	-------

Vertical

Frequency (MHz)	Peak Gain Above 30° (dBi)
-----------------	---------------------------

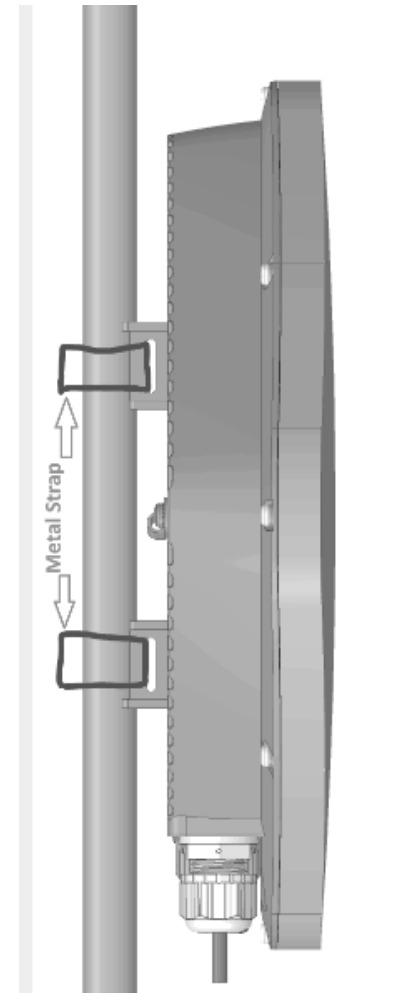
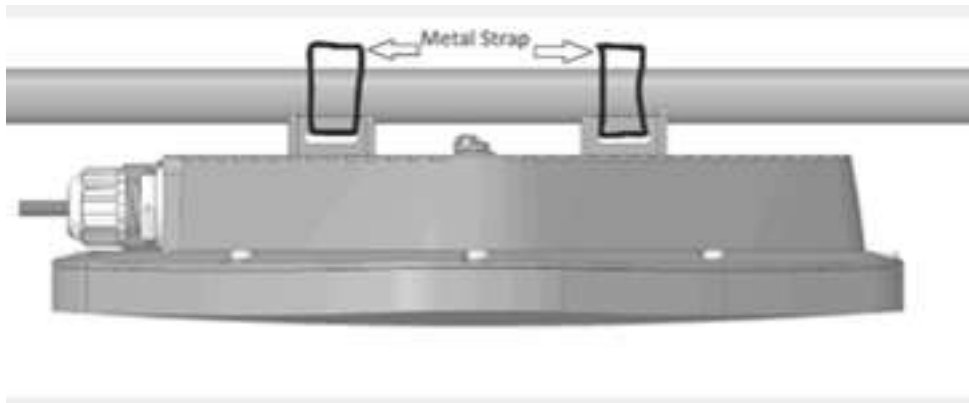
5150	3.10
------	------

5350	2.71
------	------

5500	2.86
------	------

5725	1.53
------	------

5850	1.23
------	------



Ant6

Horizontal

Frequency (MHz)	Peak Gain Above 30° (dBi)
-----------------	---------------------------

5150	-4.85
------	-------

5350	-5.26
------	-------

5500	-5.73
------	-------

5725	-6.40
------	-------

5850	-5.57
------	-------

Vertical

Frequency (MHz)	Peak Gain Above 30° (dBi)
-----------------	---------------------------

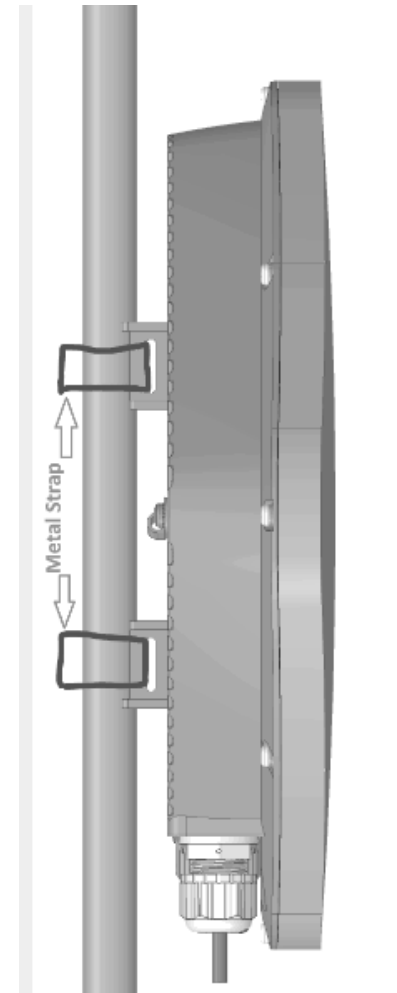
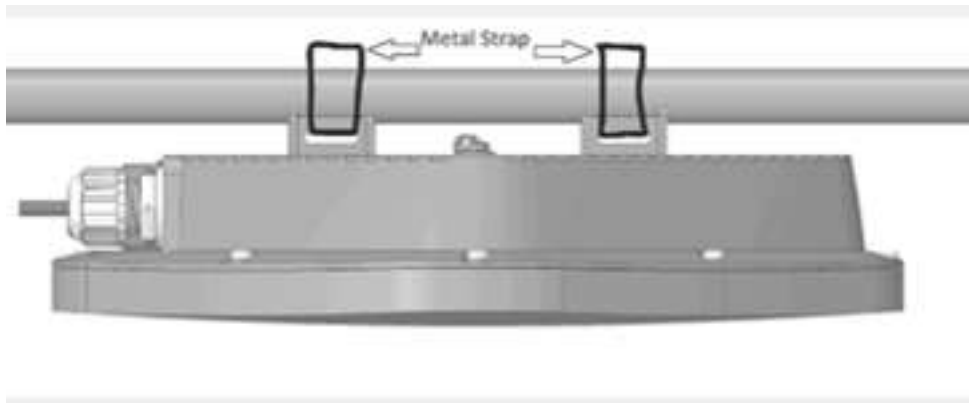
5150	3.91
------	------

5350	3.72
------	------

5500	2.84
------	------

5725	2.70
------	------

5850	3.00
------	------



Ant7

Horizontal

Frequency (MHz)	Peak Gain Above 30° (dBi)
-----------------	---------------------------

5150	-4.48
------	-------

5350	-4.86
------	-------

5500	-4.70
------	-------

5725	-4.35
------	-------

5850	-3.34
------	-------

Vertical

Frequency (MHz)	Peak Gain Above 30° (dBi)
-----------------	---------------------------

5150	2.30
------	------

5350	2.96
------	------

5500	2.25
------	------

5725	2.39
------	------

5850	2.46
------	------

