



Wistron NeWeb Corp.

Antenna Datasheet

Customer Name: Extreme Network

Date: 11/09/2018

Customer P/N	ML2452-APA2-02
WNC P/N	81VEAD15.G02
Description	EXTERNAL WIFI ANTENNA, SMA CONNECTOR, WHITE
Version	A01

Provided By Wistron NeWeb Corp	Reviewed By Wistron NeWeb Corp	Approved By Customer
Elyse Lin	James You	

Wistron NeWeb Corporation
20 Park Avenue II,
Hsinchu Science Park,
Hsinchu 308, Taiwan, R.O.C.
TEL: +886-3-666-7799
FAX: +886-3-666-7321
<http://www.wneweb.com>




Wistron NeWeb Corp.

INDEX

- I. PRODUCT SPECIFICATION
- II. REVISION HISTORY
- III. ANTENNA PERFORMANCE
- IV. MECHANICAL DRAWING
- V. PACKAGE DRAWING

I. Product Specification

Antenna for Dual band system

Antenna photo		
A. Electrical Characteristics		
Frequency	2400 ~ 2500 MHz 5150 ~ 5850 MHz	
V.S.W.R.	@2400 ~ 2500 MHz	<= 1.92
	@5150 ~ 5850 MHz	<= 1.92
Antenna Gain Max / Typ (dBi)	@2400 ~ 2500 MHz	3.04 / 2.73
	@5150 ~ 5350 MHz	4.30 / 4.19
	@5470 ~ 5725 MHz	4.96 / 4.64
	@5725 ~ 5850 MHz	4.96 / 4.95
Antenna Efficiency	80% @ 2400 ~ 2500 MHz 72% @ 5150 ~ 5850 MHz	
Polarization	Linear, Vertical	
Impedance	50 Ohm	
B. Material & Mechanical Characteristics		
Material of Plastic	ABS	
Radome Color	Black	
Cable Type	RG-178	
Connecter Type	SMA	

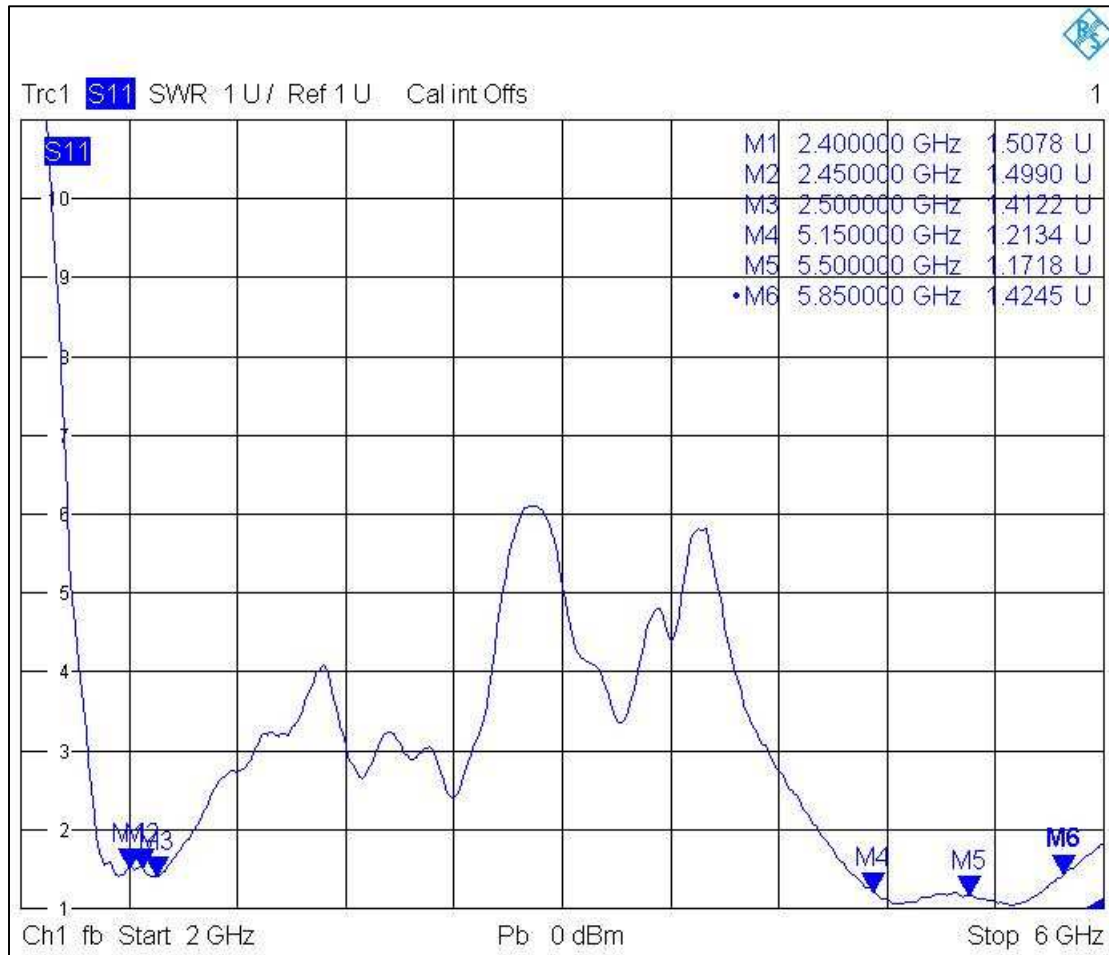
II. Revision History

Date	Version	Change Description
11/09/2018	1	New Release

III. Antenna Performance

A. VSWR

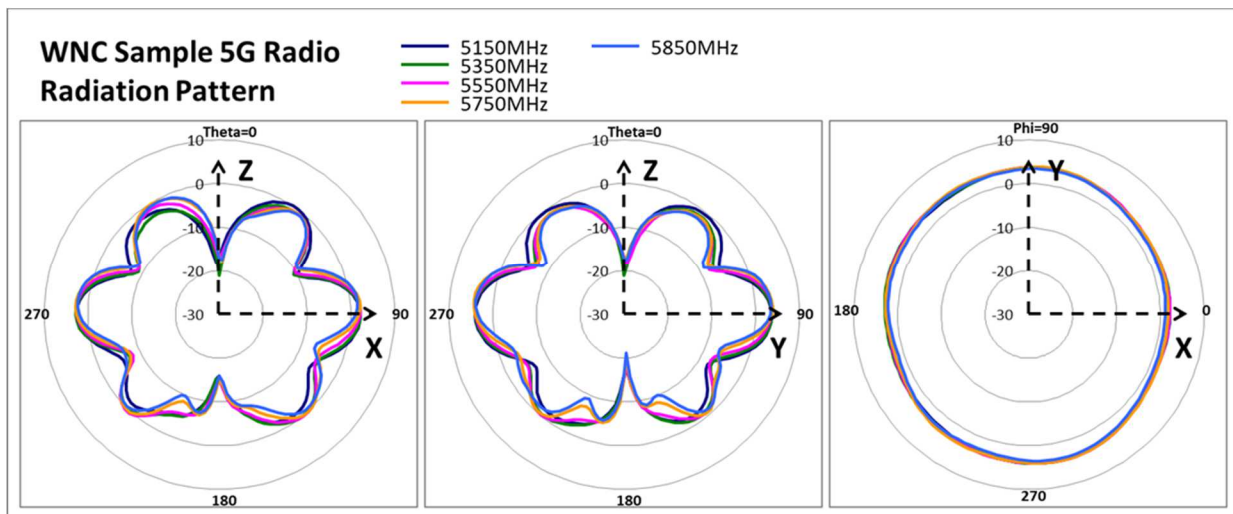
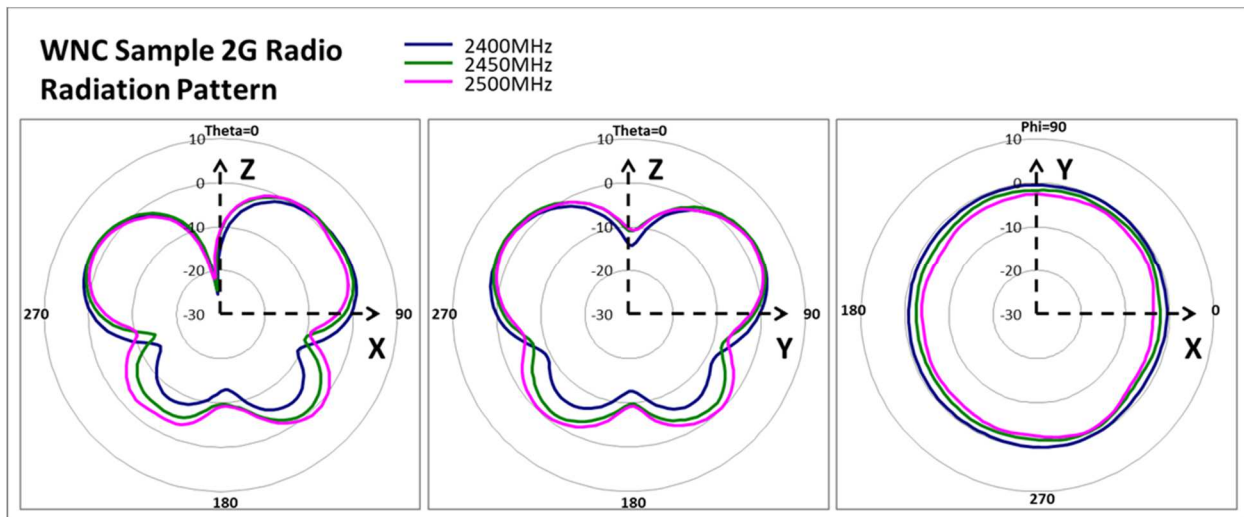
	2400 MHz ~ 2500 MHz	5150 MHz ~ 5850 MHz
VSWR	< 1.92	< 1.92
Return Loss	> 10 dB	> 10 dB



B. Antenna Efficiency and Peak Gain

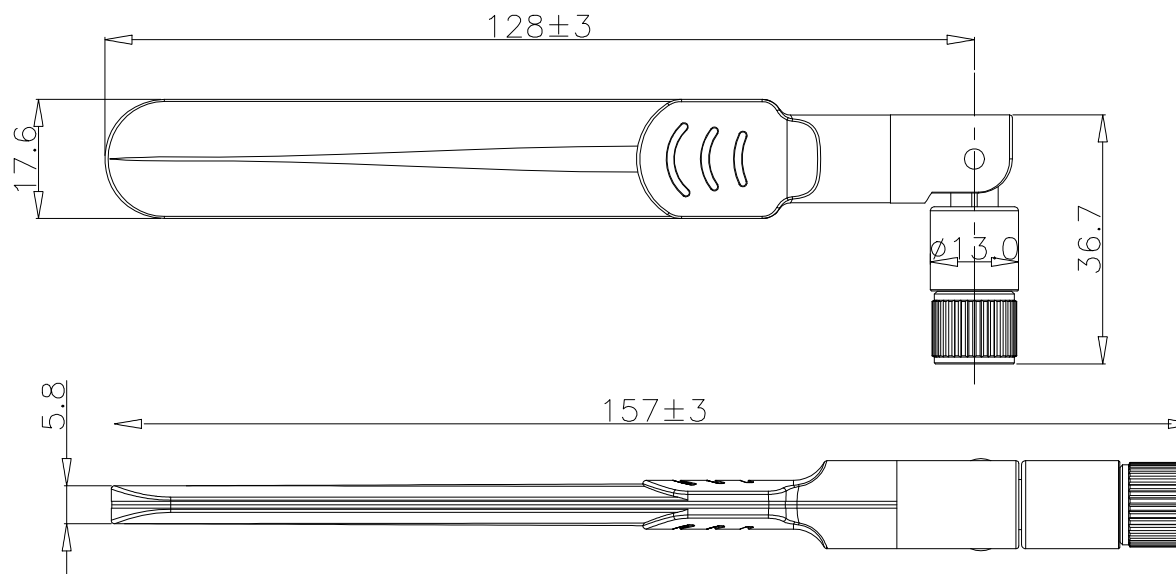
Frequency	2400	2450	2500	Avg.	5150	5350	5470	5550	5725	5750	5850	Avg.
Efficiency	81%	81%	78%	80%	73%	72%	73%	72%	72%	72%	69%	72%
Average Gain (dB)	-0.94	-0.93	-1.07		-1.38	-1.42	-1.38	-1.43	-1.42	-1.44	-1.60	
Peak Gain (dBi)	2.95	3.04	2.19		4.30	4.07	4.44	4.52	4.96	4.95	4.93	

C. Radiation Pattern



REVISIONS

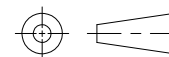
REV	DESCRIPTION	DATE	APPROVED



UNLESS OTHERWISE SPECIFIED ALL DIMENSIONS ARE IN mm AND TOLERANCES ARE:

INTEGER DIMENSIONS	± 0.2
1 PLACE DECIMAL	± 0.1
2 PLACE DECIMALS	± 0.05
ANGULAR DIMENSIONS	± 1°
HOLES UNDER Ø 5.00	± 0.05

THIRD ANGLE PROJECTION



WNC
Wistron NeWeb Corp.

啓碁科技股份有限公司

20 Park Avenue II, Hsinchu Science Park,
Hsinchu 308, Taiwan, R.O.C.
Tel: 886-3-6667799 Fax: 886-3-5788726

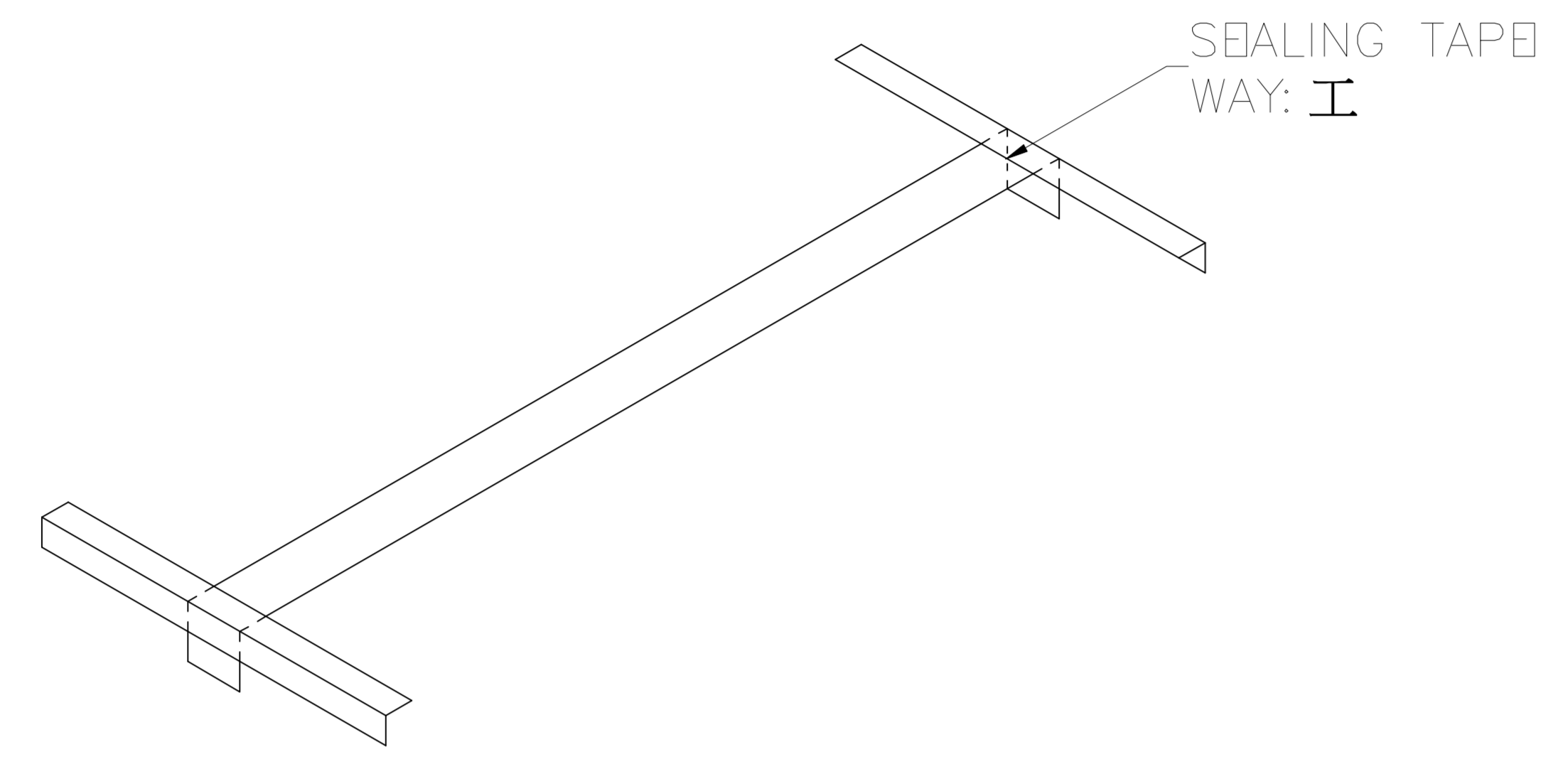
DWG TITLE

DRAWN	STANLEY HSU	M/D/Y	10/23/18	SIZE	DWG NO.	81VEAD15.G02	REV	A
ENGR	ELYSE LIN	M/D/Y	10/23/18	A4				
APVD		M/D/Y		SCALE	1/1	SHEET	1	OF 1

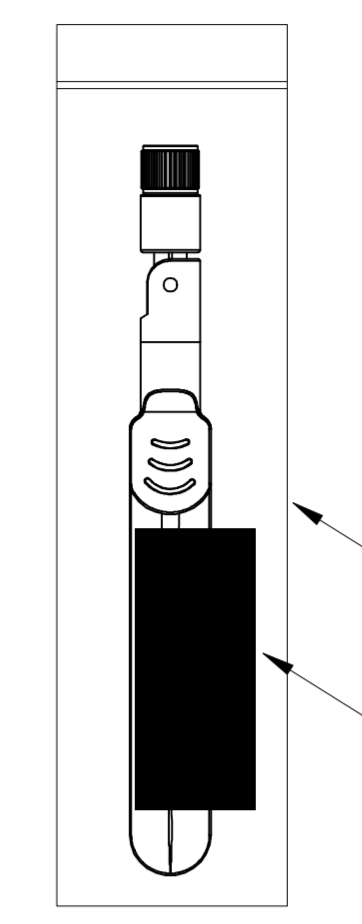
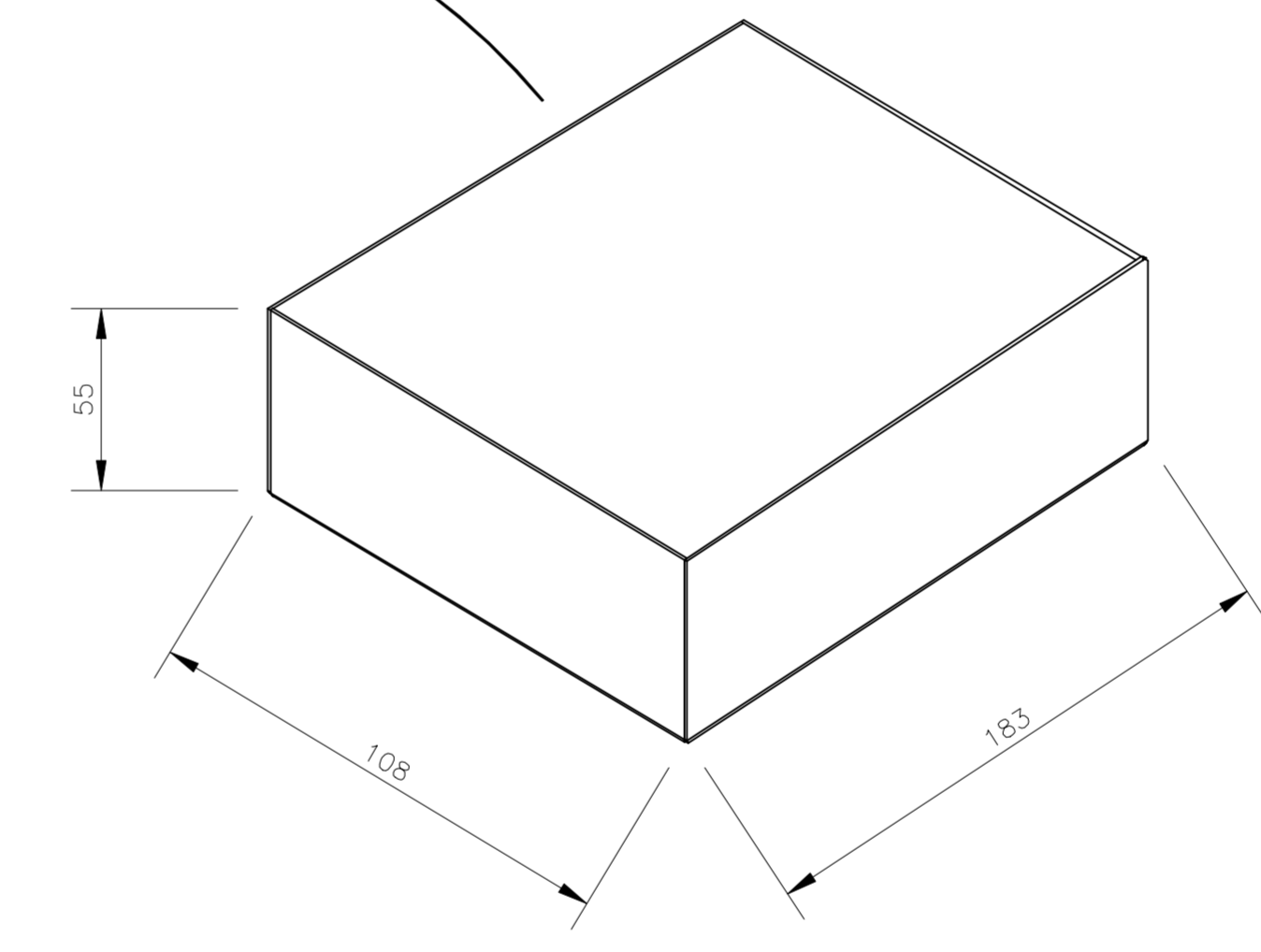
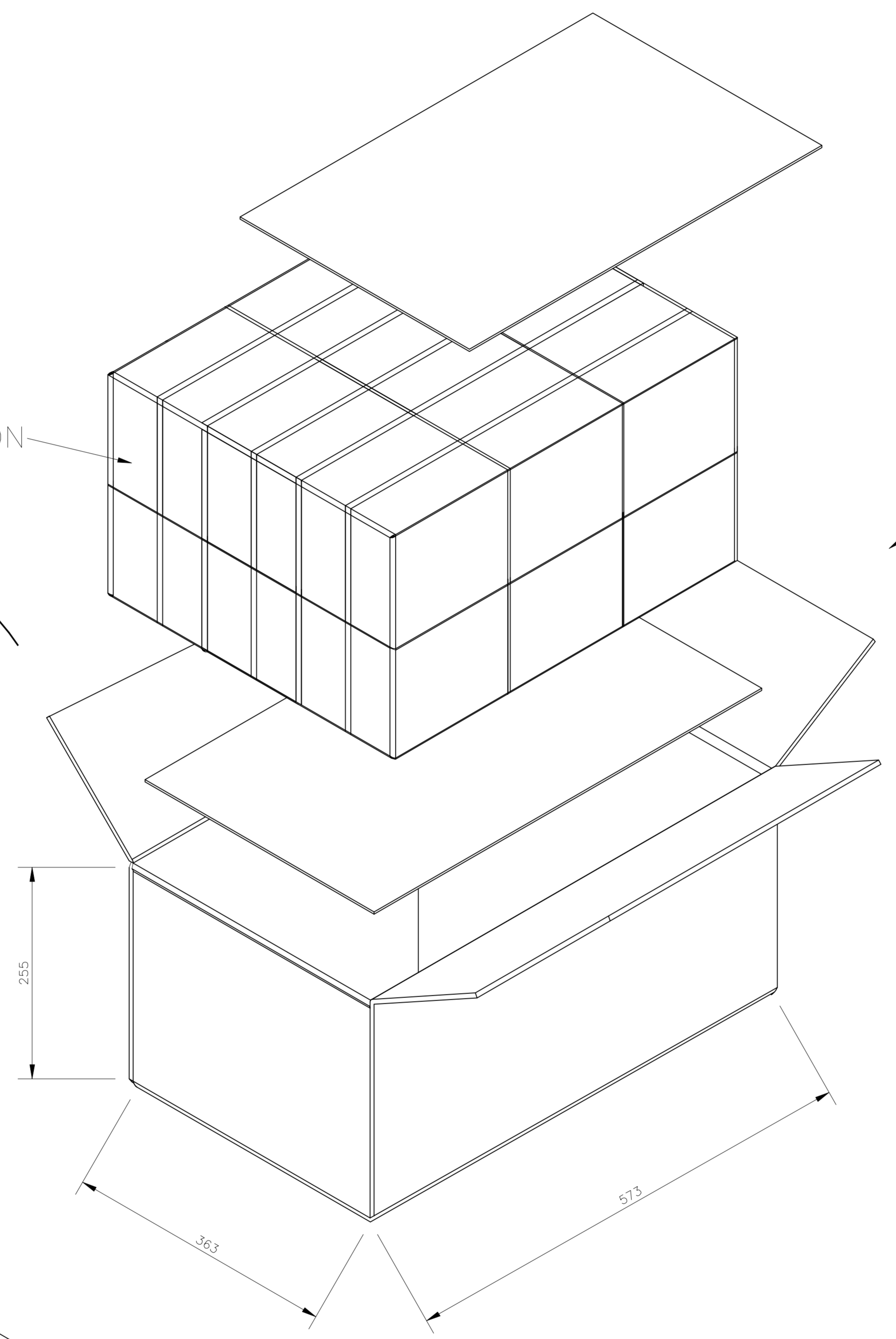
PART NUMBER BLOCK	
PART NUMBER	REV
TBD	A

WNC PROPRIETARY				
REVISIONS				
ZONE	REV	DESCRIPTION	DATE	APPROVED
A		RELEASE TO FILE	11/08/18	TC KUO

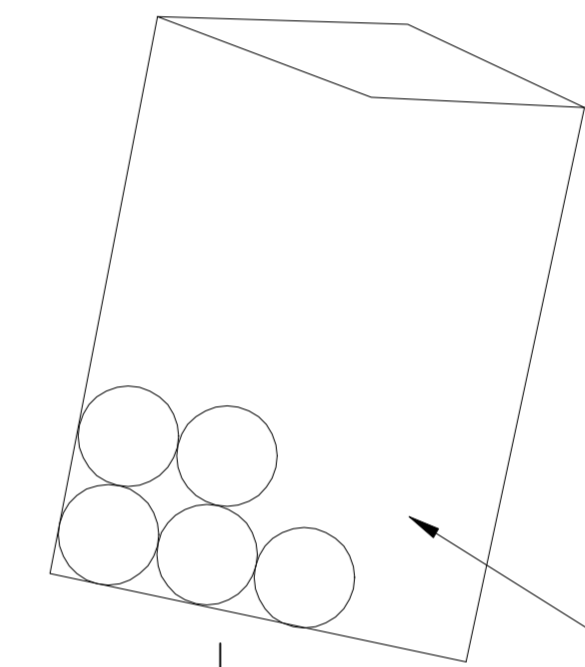
ESTIMATED SIZE



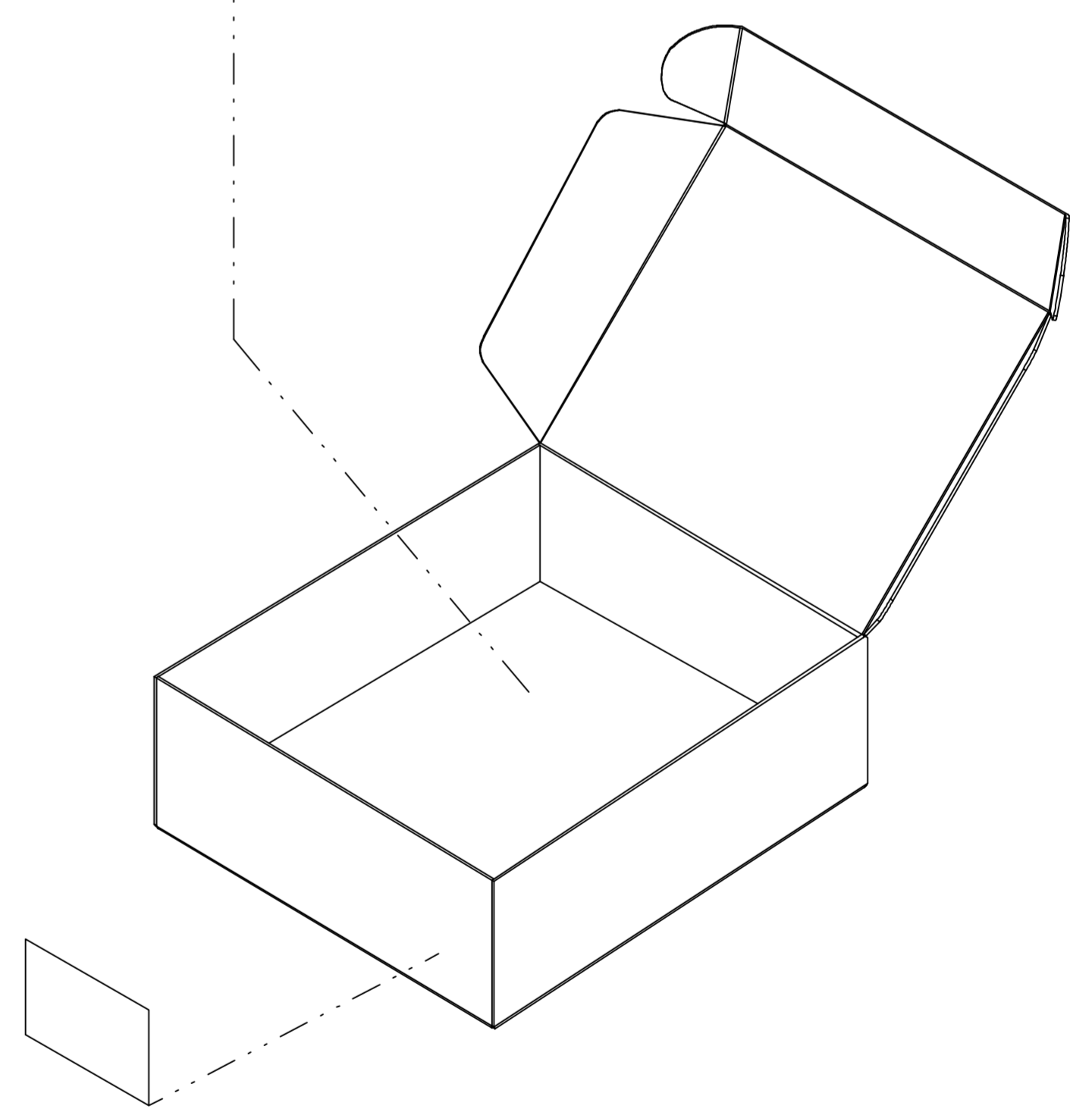
720pcs/36 BOXES/CARTON



1PCS/PB BAG
LABEL



20PCS/BLISTER PB BAG/BOX



SEALING TAPE WAY: I

UNLESS OTHERWISE SPECIFIED ALL DIMENSIONS ARE IN mm AND TOLERANCES ARE:									
INTERIOR DIMENSIONS					ANGULAR DIMENSIONS				
1 PLACE DECIMAL ±0.2					±1°				
2 PLACE DECIMALS ±0.1					HOLE UNDER 45.00 ±0.05				
MATERIAL: NA									
FINISH: NA									
DWG TITLE: TBD									
NEXT ASSY		USED ON		THIRD ANGLE PROJECTION		DRAWN		REV	
APPLICATION				ENGR		KEN ZHOU		A	
				APVD		TC KUO		11/08/18	
				SCALE		xx		SHBBT 1 OF 1	

WNC 啟碁科技股份有限公司
20 Park Avenue 19, Hsinchu Science Park,
Hsinchu 308, Taiwan, R.O.C.
Tel: 886-3-5667799 Fax: 886-3-5788726