

# 2.4/5 GHz 3/5 dBi Wi-Fi Omni Mini Quad

Ceiling Antenna with 4 RPSMA Male Connectors

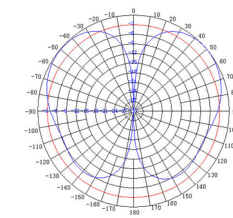
Ventev's 2.4/5 GHz 3/5 dBi Wi-Fi omnidirectional antenna is designed to operate with 802.11ac Wave I & II access points (APs) as well as the latest Wi-Fi 6 APs. The antenna's appealing design maintains building decor while providing outstanding Wi-Fi connectivity. The 4 dual-band leads with RPSMA connectors deliver exceptional performance while simplifying connection to the access point. The antenna features a threaded plastic bushing and nut for simple ceiling tile mounting.

## Specifications

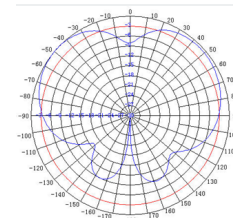
SKU	299318
Manufacturer Part Number	M604006002D2402
Operating Frequency Range	2.4/5 GHz
Gain	3/5 dBi
Peak Gain	2.97/4.94 dBi
Polarization	Vertical
Vertical Beamwidth	60°/70°
Horizontal Beamwidth	360°
VSWR	≤ 2.0/ ≤ 2.5
Nominal Impedance	50 Ohms
Max Input Power	2 W
Number of Ports	4
Length of Lead	24 in
RF Connector	RPSMA Male
Application	Indoor
Operating Temperature	-40° to 158° F
Dimensions	5.4 x 2.9 x 1 in
Weight	1.25 lbs.
Bandwidth	100/700 MHz
Radome Color	White
Mounting Style	Center Thread Screw



## Radiation Patterns



2.4 GHz  
Vertical  
Plane



5 GHz  
Vertical  
Plane

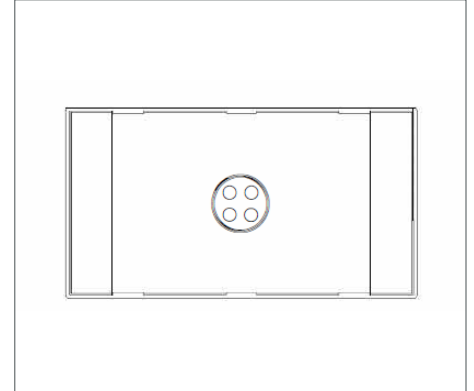
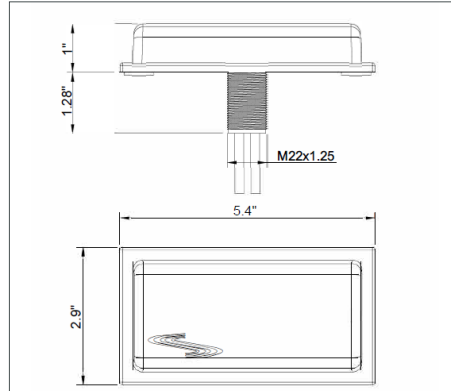
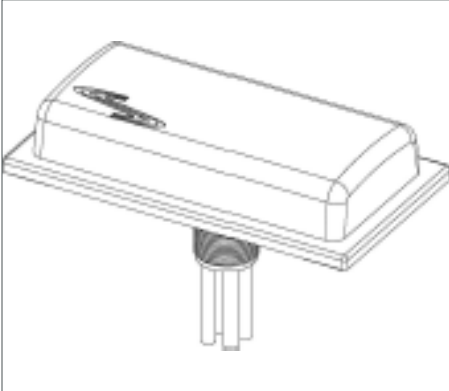


All product specifications are subject to change without notice or obligation.

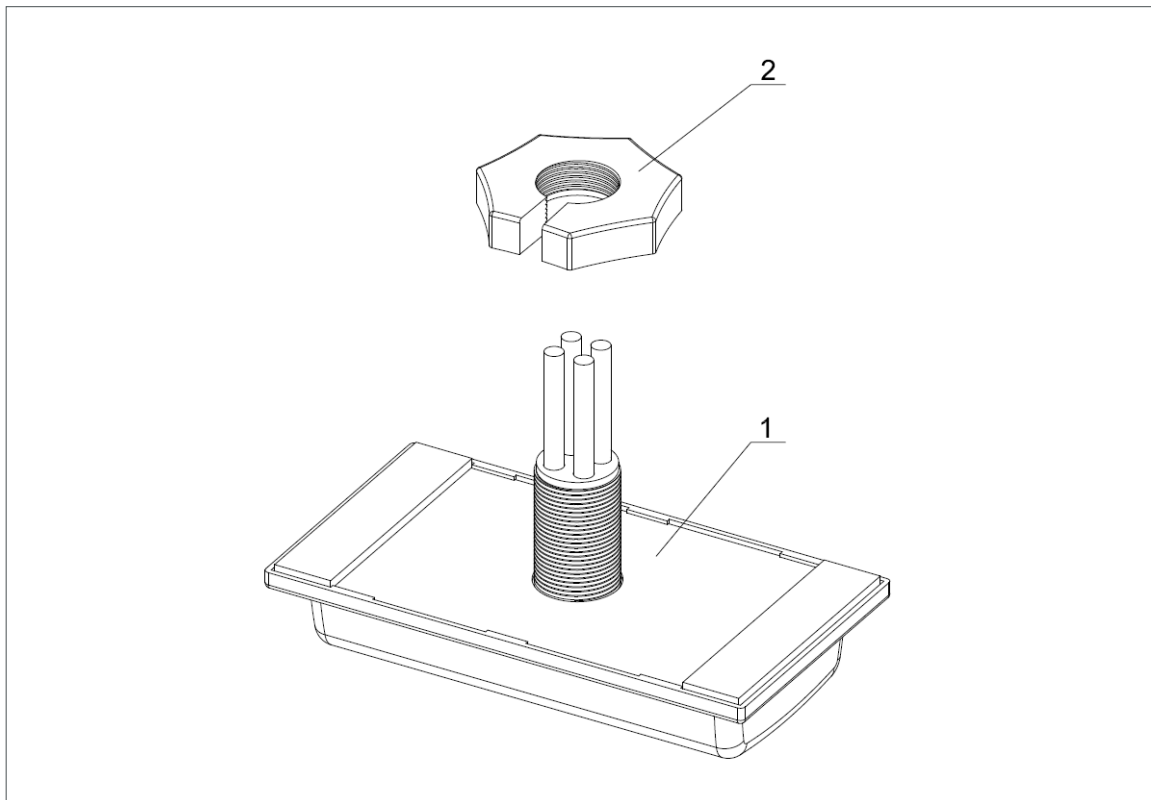
# 2.4/5 GHz 3/5 dBi Wi-Fi Omni Mini Quad

Ceiling Antenna with 4 RPSMA Male Connectors

## Dimensions



## Installation

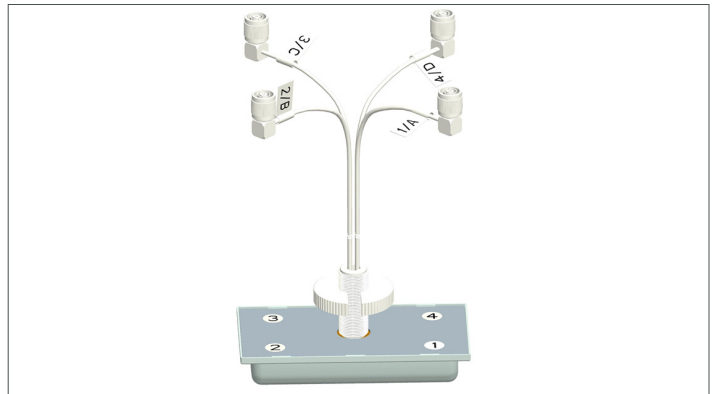
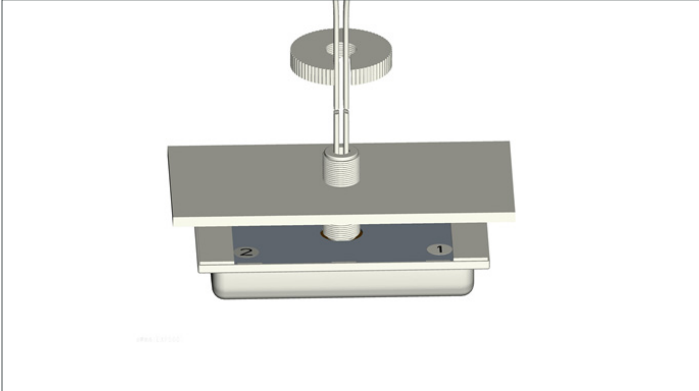


All product specifications are subject to change without notice or obligation.

# 2.4/5 GHz 3/5 dBi Wi-Fi Omni Mini Quad

Ceiling Antenna with 4 RPSMA Male Connectors

## Mounting Options



All product specifications are subject to change without notice or obligation.