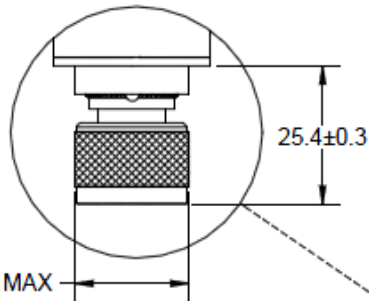


280.2±2.3

TEXT



DETAIL A  
SCALE 1 : 1

ANTENNA CHARACTERISTICS			
PARAMETERS	PERFORMANCE		
Extreme P/N	ML-2452-HPAG5A8-01		
Vendor P/N	OC24527-MT1		
Antenna description	Single-port, dual-band, outdoor pipe omni with fixed N-type connector		
Antenna type	Omni		
Connector Type	N male		
Cable Type	N/A		
Cable P/N	N/A		
Cable Length (cm)	N/A		
Plenum Rated	No		
Frequency (MHz)	2400-2500	4900-5150	5150-5875
Max Gain (dBi)	5.0	7.5	8.0
Max FCC Elev Gain (dBi)	N/A	N/A	-9.7
Azimuth beam width (deg)	360	360	360
Elevation beam width (deg)	28 (typ)	17 (typ)	15 (typ)
VSWR max	2.0 (typ)	2.3 (typ)	2.0 (typ)
Polarization	vertical	vertical	vertical
Max Power (Watts)	10	10	10
Weight (lbs)	0.33		
Storage Temp Range (C)	-40 / +85		
Operation Temp Range (C)	-30 / +70		
Outdoor Rated	Yes		

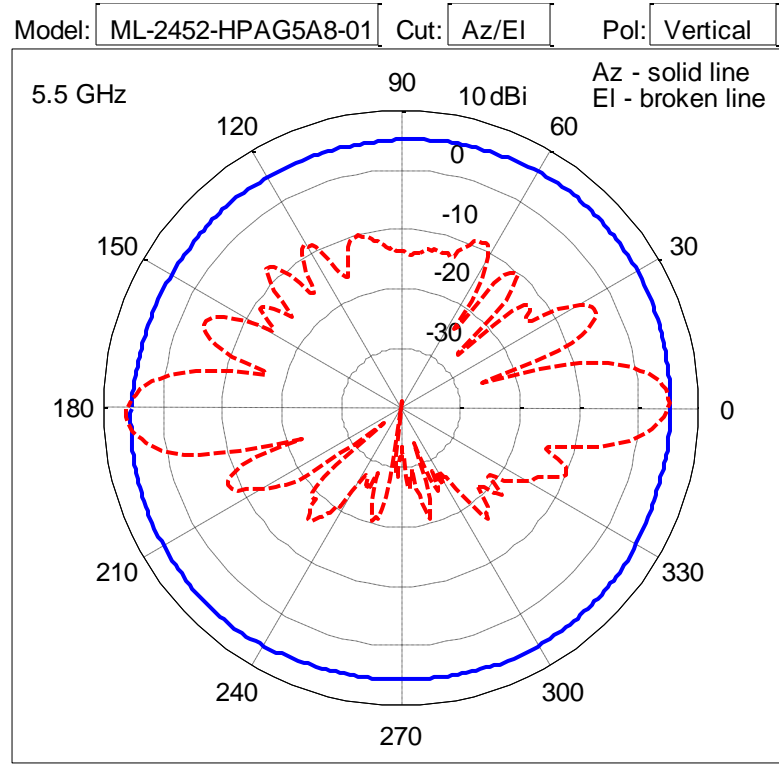
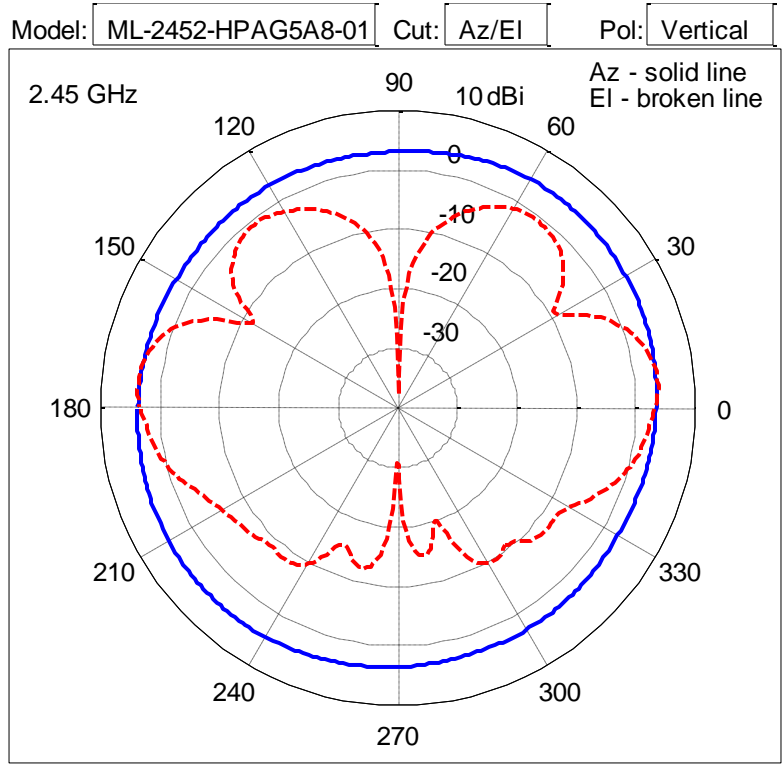
Notes:

1. Part to be packaged in accordance with STI specification 50-04100-013 unless otherwise specified.
2. Part must comply with STI specification SP-12509-01 (RoHS) and have manufacturer's Declaration of Conformity on file.

**Extreme Networks Inc.**

ANT:11ABGN, Single port, DB, Omni, 5.0/8.0 dBi, VertLP, Fixed N-Type-M

<b>DOC NO:</b> PD002309A01	<b>SHEET:</b> 1 of 2	<b>REV:</b> AB
-------------------------------	-------------------------	-------------------



Notes:  
1. Gains shown are typical.

<b>Extreme Networks Inc.</b>		
ANT:11ABGN, Single port, DB, Omni, 5.0/8.0 dBi, VertLP, Fixed N-Type-M		
<b>DOC NO:</b> PD002309A01	<b>SHEET:</b> 2 of 2	<b>REV:</b> AB