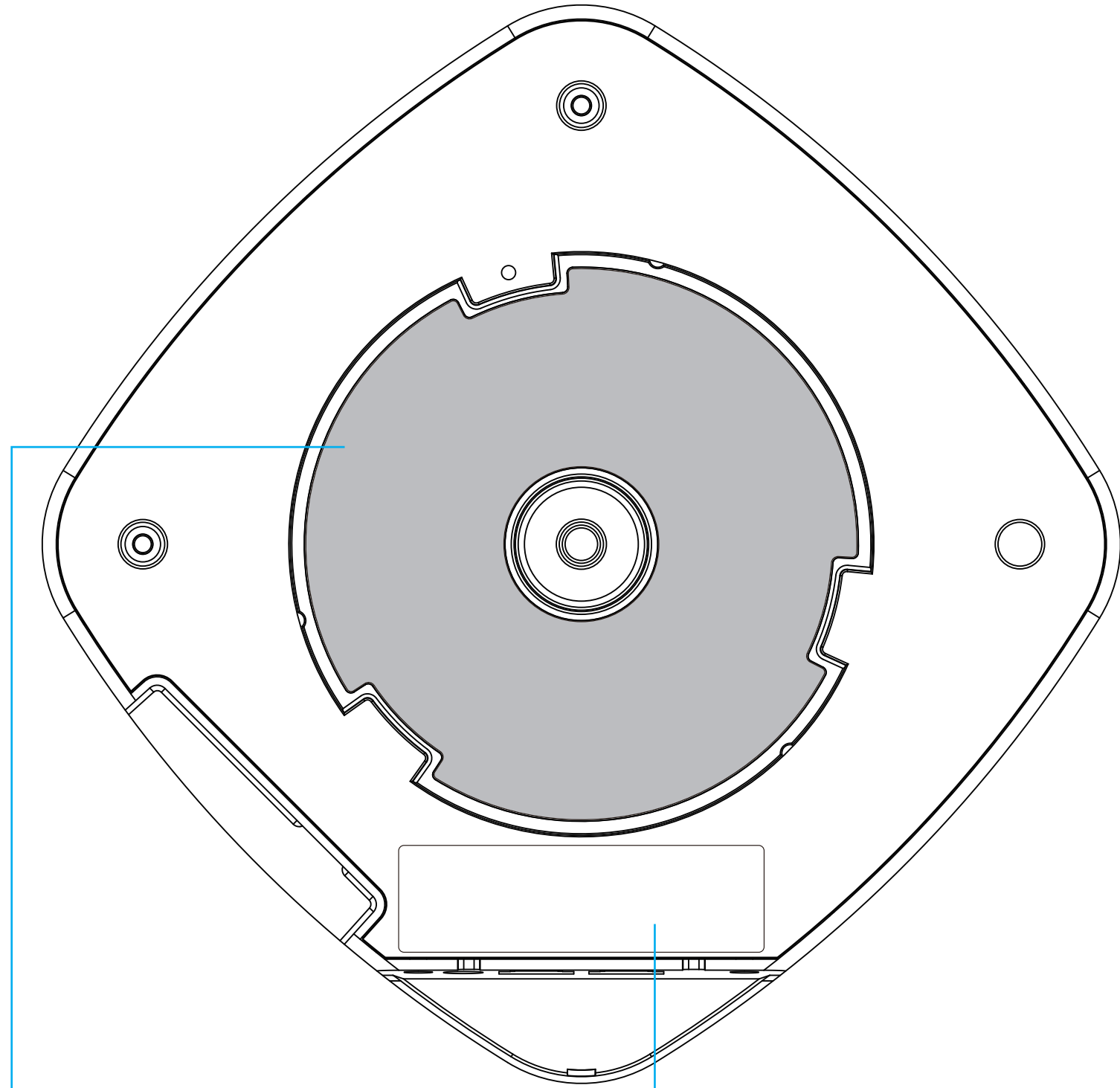


Model : AP3000/AP3000X

Scale : 100 %



Agency label - 6710A8543000

- Dimension: 98*98 mm
- Material: #50 Silver Polyester Label
- Coating: #25 Matt film
- Outside handle: with adhesive backing
- Color: Black ink
- Tolerance: +/-0.1mm
- 面材型號 Code : HTLSMI50

SKU label - 6710A4243030

- Dimension: 65*19 mm
- Material: #50 White Polyester Label
- Outside handle: with adhesive backing
- Tolerance: +/-0.1mm
- 面材型號 Code : POB8

PN : AP3000-WW



※ QR Code rule :
 PROG#:HA01YYWWY-10001;DESCRIPTION:AP3000-WW;
 PART#:AP3000-WW;MAC:241FBD61A800;

PN : AP3000X-WW



※ QR Code rule :
 PROG#:HA02YYWWY-10001;DESCRIPTION:AP3000X-WW;
 PART#:AP3000X-WW;MAC:241FBD61A800;

※ Barcode for reference only and will be printed by factory

| | | | | | | |
|----------------|------------|----|-----|-----------------------------|----|---------|
| 部門 | 外觀設計課 | | 料號 | 6710A8543000 / 6710A4243030 | | |
| 日期 | 2022/09/20 | 比例 | 1/1 | 單位 | mm | 工業設計工程師 |
| 該專案經理人或業務之內容核准 | | | 檢圖 | Aril Rennier | | |