

Installing the ExtremeWireless Indoor AP3916ic Access Point

Overview of the AP3916ic

The AP3916ic is an 11ac Wave 2 AP with an integral security camera that lets you extend your Wireless LAN and provide simultaneous Wi-Fi service, BLE or 802.15.4 coverage and security in public spaces, such as classrooms and offices. This fully featured access point can be mounted on the ceiling or wall. The integral ONVIF compatible security camera is connected to an internal wired Ethernet port. The AP3916ic provides flow based data handling for the wireless and wired connections.

Note: The AP3916ic requires a minimum base firmware of 10.31.01.

The AP3916ic model has the following specifications:

- Integrated 2MP camera with resolution up to 1080p, with manual view adjustment.
- Radios: Two concurrent Wi-Fi radios (2.4 GHz and 5 GHz) and one additional radio that can operate as Bluetooth or 802.15.4.
- Antennas: Four internal single band Wi-Fi antennas and one internal antenna for Bluetooth (BLE) or 802.15.4.
- LEDs: 6 (see Figure 2)
- 802.3at (PoE+) compliant for full functionality. Optional AC adapter.
- Supports the 802.11ac and 802.11n wireless standards, with full backward compatibility with legacy 802.11abg.
- 10/100/1000 Mbps operation.
- Adjustable mounting bracket (included) for drop-ceiling T-bar rail.
- Optional mounts can be purchased separately for junction/gang box, indoor wall and solid ceiling installation.
- Enabled for ExtremeCloud support.

For complete installation information, see the *ExtremeWireless AP3916ic Installation Guide*

Software Dependencies

The camera functionality is represented as an attached client to the AP. The IP address from the camera can be retrieved from the Client report in the ExtremeWireless user interface.

A Port/User specific policy can be assigned to the camera function, such as mapping all camera interactions like video streaming or management to its own network segment or VLAN.

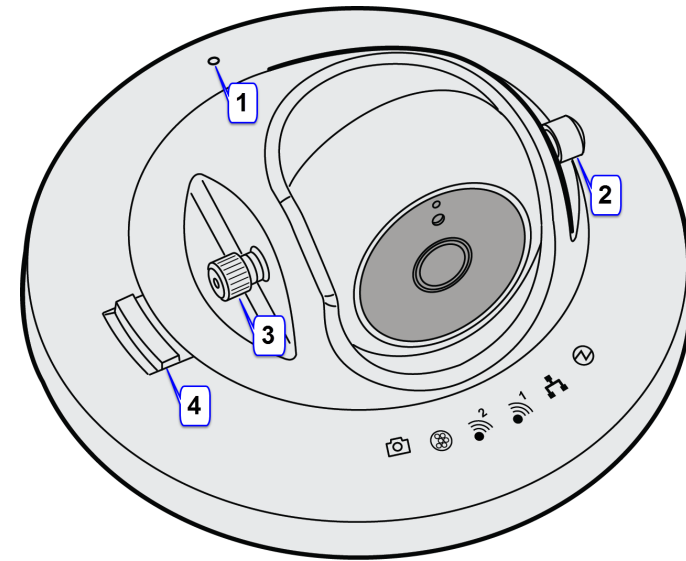
The ONVIF compliant camera is discoverable using standard ONVIF/IP camera methods. ONVIF utilizes multicast as the means of advertising and inquiring about device presence. Therefore, the default topology of the role associated to the camera port must be adjusted to allow for multicast. We recommend configuring the All Multicast (0.0.0.0/0) setting for Groups in the ExtremeWireless topology.

Front View Features

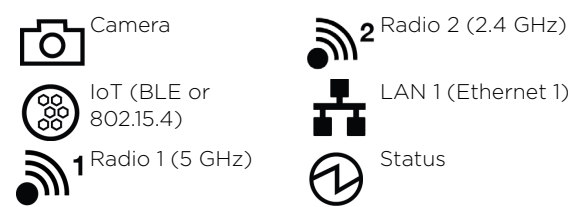
- 1 The power reset button is recessed and located on the top of the AP. Use a tool to press the reset button. See Figure 1.
- 2 Remove the caps to access the thumbscrews. See Figure 1.

- 3 The thumbscrews let you adjust and set the tilt angle of the camera. See Figure 1.
- 4 The locking pin lets you adjust and set the rotational position of the camera. See Figure 1.

Figure 1 Front View



LEDs are located on the top cover of the AP.



Uplink and Power Connections

The AP uses Power over Ethernet (PoE) or an external power supply:

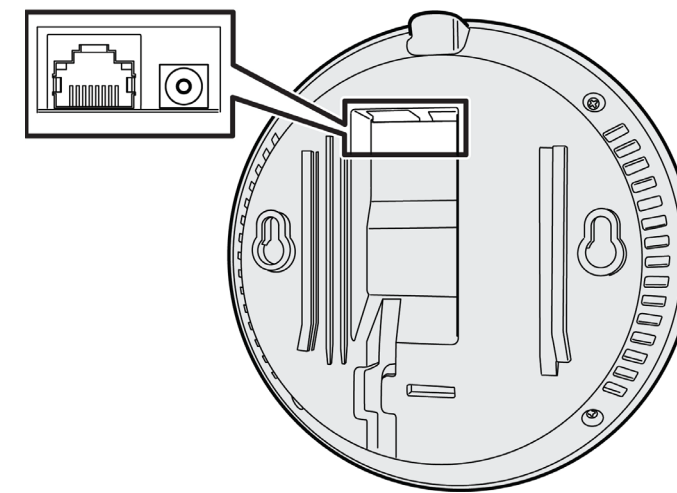
Table 1 Power Sources

Power Source	Description
LAN 1 - uplink PoE port	LAN 1 may be connected using an 802.3at or 802.3af switch port
External 12V DC power supply (optional)	This AP can also be powered by an external DC power supply plugged into an AC source. Plug the supply's input jack into the DC-In port (see Figure 2).

The AP has a LAN 1 port that is powered using 802.3at.

Note: LAN connectors with shrouds will not fit into the ports. Remove the shroud or use an optional jumper cable.

Figure 2 Power Connections and Rear View



Verifying the AP3916ic Box Contents

Verify the contents of the box as follows:

Table 2 Contents of the AP3916ic Box

Quantity	Item
1	AP3916ic Quick Reference
1	ExtremeCloud Quick Start Card
1	WS-AP3916ic AP (includes two M3 security torx captive screws)
1	Adjustable mounting bracket for drop ceiling T-bar rail.
The following hardware is included:	
2	Screw-in plastic wall anchors
2	Pan-head screws for wall mounting
1	Security torx screwdriver/bit

Note: Before mounting the AP3916ic, read the Safety Guidelines section.

Mounting and Connecting the AP3916ic

Use these instructions as guidelines for mounting and connecting the AP3916ic easily and safely.

The AP3916ic comes with a bracket for mounting on a drop-ceiling.

An optional bracket P/N 30516 (WS-MBI-WALL04 wall mounting bracket) is sold separately. This bracket is used for mounting the AP on a solid ceiling, indoor wall, or junction/gang box. For more information about installing the optional bracket, see the *ExtremeWireless AP3916ic Installation Guide*.

Note: A Kensington lock (or equivalent) is recommended to secure the AP. Also, the security torx screw is used to prevent movement of the camera angle.

Mounting to a Drop Ceiling

- 1 Remove the ceiling panels around the drop ceiling T-bar rail and verify that the Ethernet cable can reach the AP at the mounting point.
- 2 To connect the LAN/Ethernet cable, make a hole through the ceiling panel closest to the power slot on the AP. Run the cable through the hole and into the LAN 1 port in the recessed connector bay. See Figure 2.

3 If your LAN does not have PoE, you must also connect to an AC power source by plugging the external 12V DC adapter power cord into the power connector on the back of the AP. See Figure 2. (There is no wall mount for the 12V DC power supply.) Then plug the other end of power cord into the AC electrical outlet.

4 Slide the T-bar ceiling mount bracket base into the access point's metal base. The locking tab fits into the groove in the outside center of the back of the AP. See Figure 3.

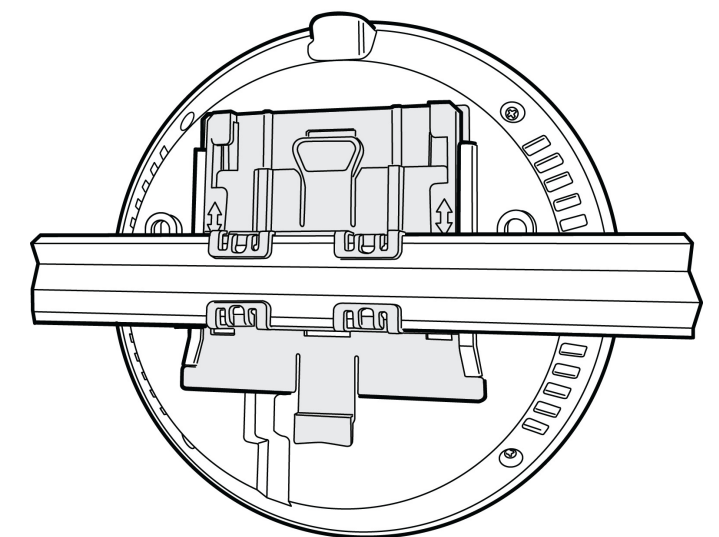
5 Slightly lift the movable T-bar locking tab to increase the space between the stationary and the slider T-bar sides of the bracket. Then hook the stationary end of the T-bar bracket onto the T-bar, as shown in Figure 3.

6 While holding the AP with one hand, reach the other hand over the T-bar and grasp both the stationary and movable sides of the bracket. Push the bracket parts together so they both grasp the T-bar and the locking tab clicks into place.

7 While still holding the AP, rock it back and forth to ensure that it is securely mounted.

8 (Optional) Attach the Kensington lock and cable (or equivalent) to secure the AP to the bracket.

Figure 3 Mounting Bracket on T-bar



Adjusting the Camera

- 1 To adjust the rotational camera movement, pull and hold the rotating locking pin outwards while rotating the camera. Release the locking pin when the camera is positioned. See Figure 1.
- 2 To adjust the tilt movement, remove the thumbscrew caps and loosening the thumbscrews. Then, without touching the camera face, move the camera to the desired tilt angle. Tighten the thumbscrews and put the caps back on. Torque the screws to 7.0 in-lbs. See Figure 1.
- 3 Remove the plastic protective cover from the face of the camera.

Notice

Copyright © 2017 Extreme Networks, Inc. All Rights Reserved.

Legal Notices

Extreme Networks, Inc. reserves the right to make changes in specifications and other information contained in this document and its website without prior notice. The reader should in all cases consult representatives of Extreme Networks to determine whether any such changes have been made.

The hardware, firmware, software or any specifications described or referred to in this document are subject to change without notice.

Trademarks

Extreme Networks and the Extreme Networks logo are trademarks or registered trademarks of Extreme Networks, Inc. in the United States and/or other countries.

All other names (including any product names) mentioned in this document are the property of their respective owners and may be trademarks or registered trademarks of their respective companies/owners.

For additional information on Extreme Networks trademarks, please see: www.extremenetworks.com/company/legal/trademarks/

Documentation & Support

For product support, including documentation, visit: www.extremenetworks.com/support/

Extreme Networks, Inc.
6480 Via Del Oro
San Jose, CA 95119
Tel: +1 408-579-2800
Toll-free: +1 888-257-3000

Regulatory and Compliance Information

Federal Communications Commission (FCC) Notice:

This equipment has been tested and found to comply with the limits for a Class B digital device, pursuant to Part 15 of the FCC Rules. These limits are designed to provide reasonable protection against harmful interference in a residential installation. This equipment generates, uses and can radiate radio frequency energy and, if not installed and used in accordance with the instructions, may cause harmful interference to radio communications. However, there is no guarantee that interference will not occur in a particular installation. If this equipment does cause harmful interference to radio or television reception, which can be determined by turning the equipment off and on, the user is encouraged to try to correct the interference by one of the following measures:

- Reorient or relocate the receiving antenna.
- Increase the separation between the equipment and receiver.
- Connect the equipment into an outlet on a circuit different from that to which the receiver is connected.
- Consult the dealer or an experienced radio/TV technician for help.



Warning: Any changes or modifications not expressly approved by the party responsible for compliance could void the user's authority to operate this equipment

This device complies with Part 15 of the FCC Rules. Operation is subject to the following two conditions: (1) This device may not cause harmful interference, and (2) this device must accept any interference received, including interference that may cause undesired operation.

This transmitter must not be co-located or operating in conjunction with any other antenna or transmitter. For indoor use only.



Warning: FCC Radiation Exposure Statement: This equipment complies with FCC radiation exposure limits set forth for an uncontrolled environment. This equipment should be installed and operated with minimum distance 21cm between the radiator & your body.

Industry Canada Notice:

This device complies with RSS-247 of the Industry Canada Rules. Operation is subject to the following two conditions: (1) This device may not cause harmful interference, and (2) this device must accept any interference received, including interference that may cause undesired operation.

Ce dispositif est conforme à la norme CNR-247 d'Industrie Canada applicable aux appareils radio exempts de licence. Son fonctionnement est sujet aux deux conditions suivantes: (1) le dispositif ne doit pas produire de brouillage préjudiciable, et (2) ce dispositif doit accepter tout brouillage reçu, y compris un brouillage susceptible de provoquer un fonctionnement indésirable.

Caution:

- 1 The device for operation in the band 5150-5250 MHz is only for indoor use to reduce the potential for harmful interference to co-channel mobile satellite systems;
- 2 High-power radars are allocated as primary users (i.e. priority users) of the bands 5250-5350 MHz and 5650-5850 MHz and that these radars could cause interference and/or damage to LE-LAN devices.

Avertissement:

- 1 Les dispositifs fonctionnant dans la bande 5150-5250 MHz sont réservés uniquement pour une utilisation à l'intérieur afin de réduire les risques de brouillage préjudiciable aux systèmes de satellites mobiles utilisant les mêmes canaux;
- 2 De plus, les utilisateurs devraient aussi être avisés que les utilisateurs de radars de haute puissance sont désignés utilisateurs principaux (c.-à-d., qu'ils ont la priorité) pour les bandes 5250-5350 MHz et 5650-5850 MHz et que ces radars pourraient causer du brouillage et/ou des dommages aux dispositifs LAN-EL.

For Mobile Device Usage



Warning: Radiation Exposure Statement: This equipment complies with IC radiation exposure limits set forth for an uncontrolled environment. This equipment should be installed and operated with minimum distance 21cm between the radiator & your body.



Attention! Déclaration d'exposition aux radiations: Cet équipement est conforme aux limites d'exposition aux rayonnements IC établies pour un environnement non contrôlé. Cet équipement doit être installé et utilisé avec un minimum de 21cm de distance entre la source de rayonnement et votre corps.

Safety Guidelines

This section contains notices that you must adhere to ensure your personal safety and to prevent any damage to the equipment.



Caution: The unit and all interconnected equipment must be installed indoors within the same building, including all PoE-powered network connections as described by Environment A of the IEEE 802.3af standard.

European Waste Electrical and Electronic Equipment (WEEE) Notice



In accordance with Directive 2012/19/EU of the European Parliament on waste electrical and electronic equipment (WEEE):

- 1 The symbol above indicates that separate collection of electrical and electronic equipment is required.
- 2 When this product has reached the end of its serviceable life, it cannot be disposed of as unsorted municipal waste. It must be collected and treated separately.
- 3 It has been determined by the European Parliament that there are potential negative effects on the environment and human health as a result of the presence of hazardous substances in electrical and electronic equipment.
- 4 It is the users' responsibility to utilize the available collection system to ensure WEEE is properly treated. For information about the available collection system, please contact Extreme Customer Support at 353 61 705500 (Ireland).

Hazardous Substances

This product complies with the requirements of Directive 2011/65/EU of the European Parliament and of the Council of 8 June 2011 on the restriction of the use of certain hazardous substances in electrical and electronic equipment.

Declaration of Conformity in Languages of the European Community

Hereby, Extreme Networks, Inc. declares that the radio equipment type Wireless LAN Access Point is in compliance with Directive 1999/5/EC. The full text of the EU declaration of conformity is available at the following Internet address:

<http://www.extremenetworks.com/>



Note: Changes or modifications made to this device which are not expressly approved by the party responsible for compliance could void the user's authority to operate the equipment.

产品说明书附件 Supplement to Product Instructions

部件名称 (Parts)	有毒有害物质或元素 (Hazardous Substance)					
	铅 (Pb)	汞 (Hg)	镉 (Cd)	六价铬 (Cr ⁶⁺)	多溴联苯 (PBB)	多溴二苯醚 (PBDE)
金属部件 (Metal Parts)	×	○	○	×	○	○
电路模块 (Circuit Modules)	×	○	○	×	○	○
电缆及电缆组件 (Cables & Cable Assemblies)	×	○	○	×	○	○
塑料和聚合物部件 (Plastic and Polymeric parts)	○	○	○	○	○	×
电路开关 (Circuit Breakers)	○	○	×	×	○	○

○: 表示该有毒有害物质在该部件所有均质材料中的含量均在 SJ/T 11363-2006 标准规定的限量要求以下。
Indicates that the concentration of the hazardous substance in all homogeneous materials in the parts is below the relevant threshold of the SJ/T 11363-2006 standard.

×: 表示该有毒有害物质至少在该部件的某一均质材料中的含量超出 SJ/T 11363-2006 标准规定的限量要求。
Indicates that the concentration of the hazardous substance of at least one of all homogeneous materials in the parts is above the relevant threshold of the SJ/T 11363-2006 standard.

对销售之日的所售产品, 本表显示, 凯创供应链的电子产品信息产品可能包含这些物质。注意: 在所售产品中可能会也可能不会含有所有列出的部件。
This table shows where these substances may be found in the supply chain of Extreme electronic information products, as of the date of sale of the enclosed product. Note that some of the component types listed above may or may not be a part of the enclosed product.

除非另外特别的标注, 此标志为针对所涉及产品的环保使用期标志。某些零部件会有一个不同的环保使用期(例如, 电池单元模块)贴在其产品上。此环保使用期限只适用于产品是在产品手册中所规定的条件下工作。
The Environmentally Friendly Use Period (EFUP) for all enclosed products and their parts are per the symbol shown here, unless otherwise marked. Certain parts may have a different EFUP (for example, battery modules) and so are marked to reflect such. The Environmentally Friendly Use Period is valid only when the product is operated under the conditions defined in the product manual.



NCC Statement

低功率電波輻射性電機管理辦法

第十二條 經型式認證合格之低功率射頻電機, 非經許可, 公司、商號或使用者均不得擅自變更頻率、加大功率或變更原設計之特性及功能。

第十四條 低功率射頻電機之使用不得影響飛航安全及干擾合法通信; 經發現有干擾現象時, 應立即停用, 並改善至無干擾時方得繼續使用。前項合法通信, 指依電信法規定作業之無線電通信。低功率射頻電機須忍受合法通信或工業、科學及醫療用電波輻射性電機設備之干擾。

在 5.25-5.35 兆赫頻帶內操作之無線資訊傳輸設備, 限於室內使用。

電磁波曝露量 MPE 標準值 1mW/cm², 送測產品實測值為 0.315 mW/cm²

Extreme Wireless™ Access Points

Quick Reference

P/N 31034 WS-AP3916ic-FCC

P/N 31035 WS-AP3916ic-ROW