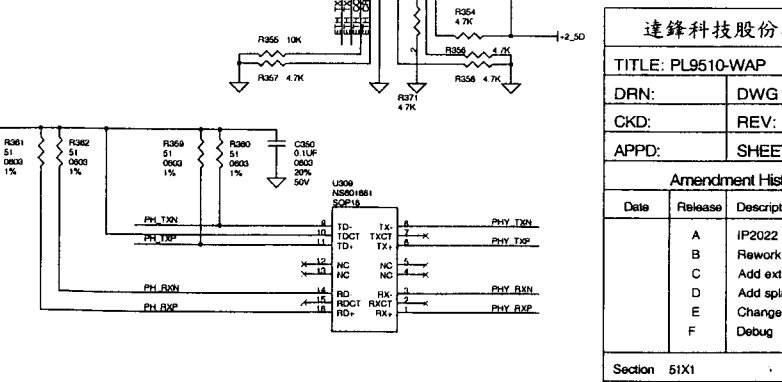
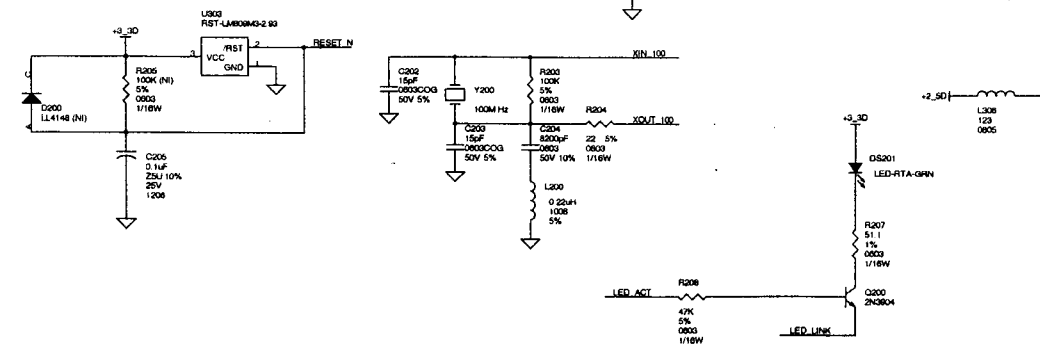
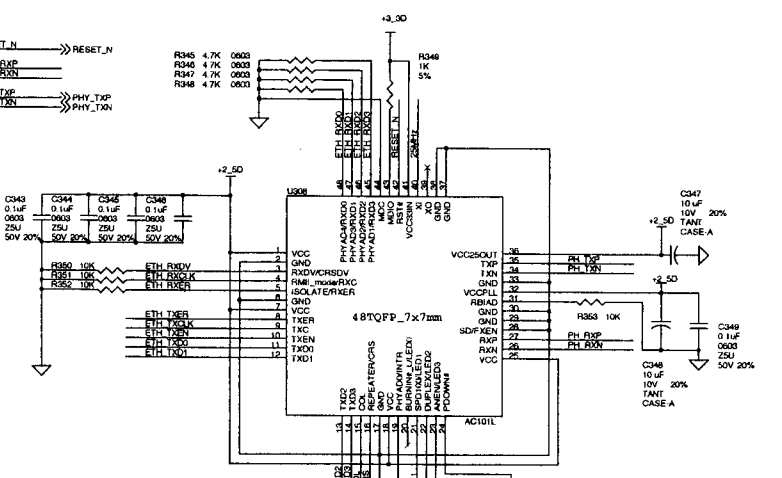
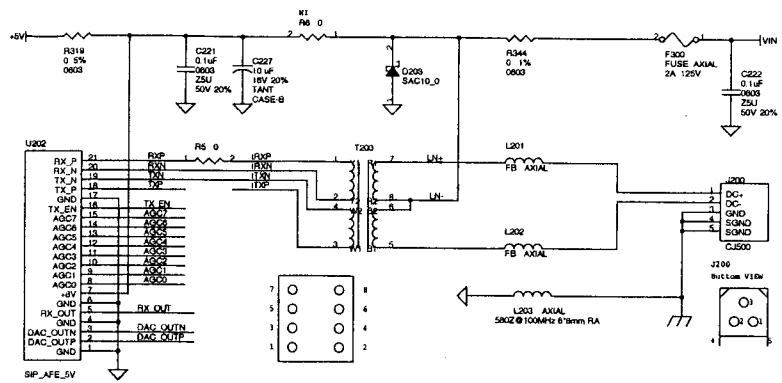
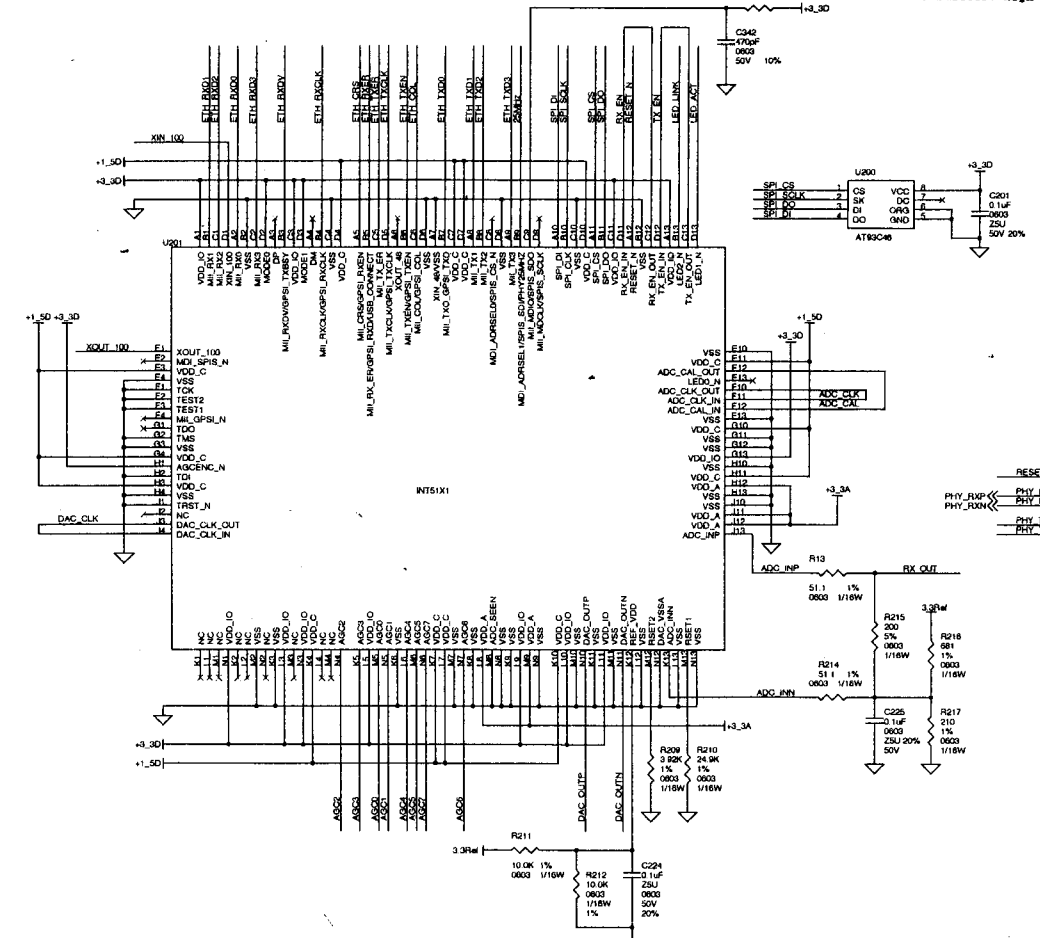
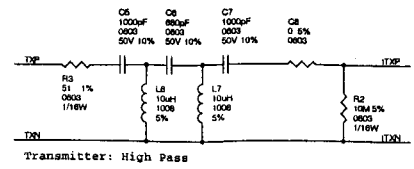
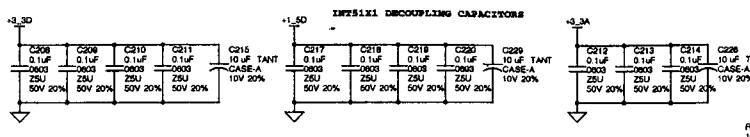
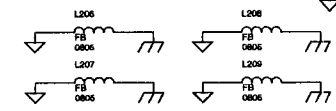
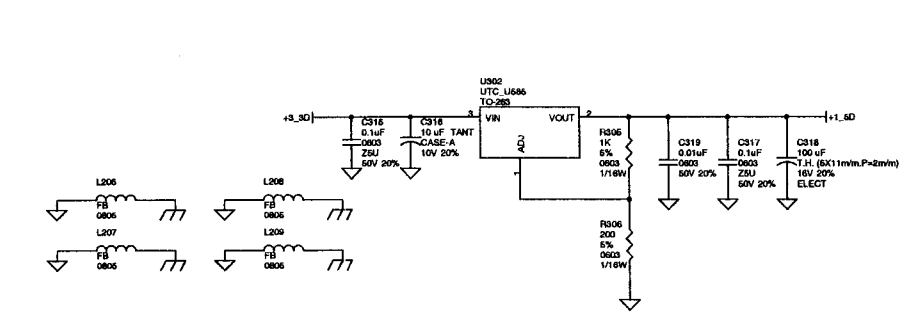
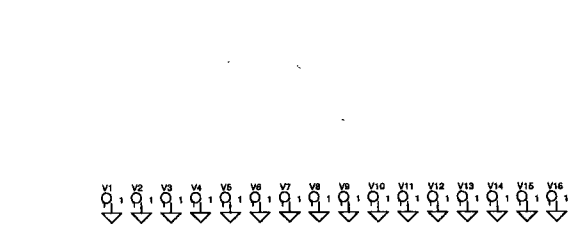
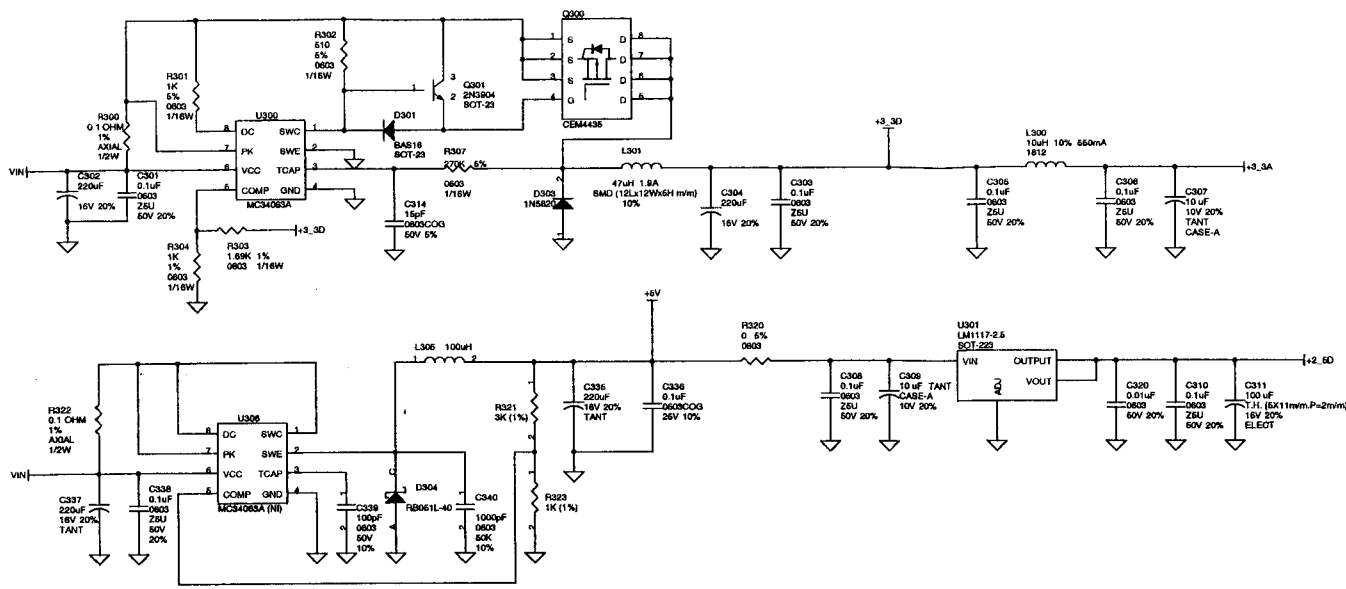


達鋒科技股份有限公司		
TITLE: PL9510 -WAP		
DRN:	DWG	
CKD:	REV: G	
APPD:	SHEET 1 OF 3	
Amendment History		
Date	Release	Description
	A	P2022
	B	Rework
	C	Add external antenna
	D	Add splitter
	E	Change Reset & coupling
Section CPU		
Size	Document Number	Rev
Custom	<Doc>	G
Date: Thursday, April 10, 2003		Sheet 3 of 3



達鋒科技股份有限公司		
TITLE: PL9510-WAP		
DRN:	DWG	
CKD:	REV: G	
APPD:	SHEET 2 OF 3	
Amendment History		
Date	Release	Description
	A	IP2022
	B	Rework
	C	Add external antenna
	D	Add splitter
	E	Change Reset & coupling
	F	Debug
Section 51X1		
Size	Document Number	Rev
Custom	<Doc>	G
Date: Friday, April 11, 2003	Sheet 2 of 3	



達鋒科技股份有限公司		
TITLE: PL9510-WAP		
DRN:	DWG	
CKD:	REV: G	
APPD:	SHEET 3 OF 3	
Amendment History		
Date	Release	Description
	A	IP2022
	B	Rework
	C	Add external antenna
	D	Add splitter
	E	Change Reset & coupling
	F	Debug
Section Power		
Size	Document Number	Rev
C	<Doc>	G
Date: Thursday, April 10, 2003		Sheet 1 of 3