

R6 SUPREME components

- R6 SUPREME system includes
 - R6 SUPREME Transponder
 - IEC 60945 protected
 - IEC 61993-1 Class A AIS
 - R6 CDU
 - IEC 60945 Exposed front (in panel mount)
 - IEC 60945 Protected in gimbal mount
 - GNSS Antenna options
 - Same antennas as R5 systems
 - One new GNSS antenna option
 - VHF Antenna options
 - R6 Junction box
 - Passive box for DSUB to Screw terminal conversion

New Control and Display Unit (CDU)

- 7" LCD panel with touch interface
- Functional keys
 - Power + Dimming/Backlight toggle
 - Custom keys
 - Home key
- Waterproof front (requires panel mount)
- Dual IEC 61162-450 Ethernet interface
- Rear facing SD-card slot
- DSUB-9M with 61162-2 interface
 - Fits AIS pilot plug accessory cable
- Gimbal or panel mount



Draft design

R6 SUPREME Transponder

- All new SDR-radio design
 - Class A AIS
 - VDES prepared
 - ASM channels
 - VDE-TER channels
 - VDE-SAT channels
 - Up to 307.2 kbps raw data
- Multi system GNSS receiver
 - Supports all GNSS systems
- Dual Ethernet for redundant networks
- WEB-GUI replace R5 Utility SW
- FW upgrades from CDU or WEB
 - Fixed factory fallback FW in case of upgrade failure



Draft design

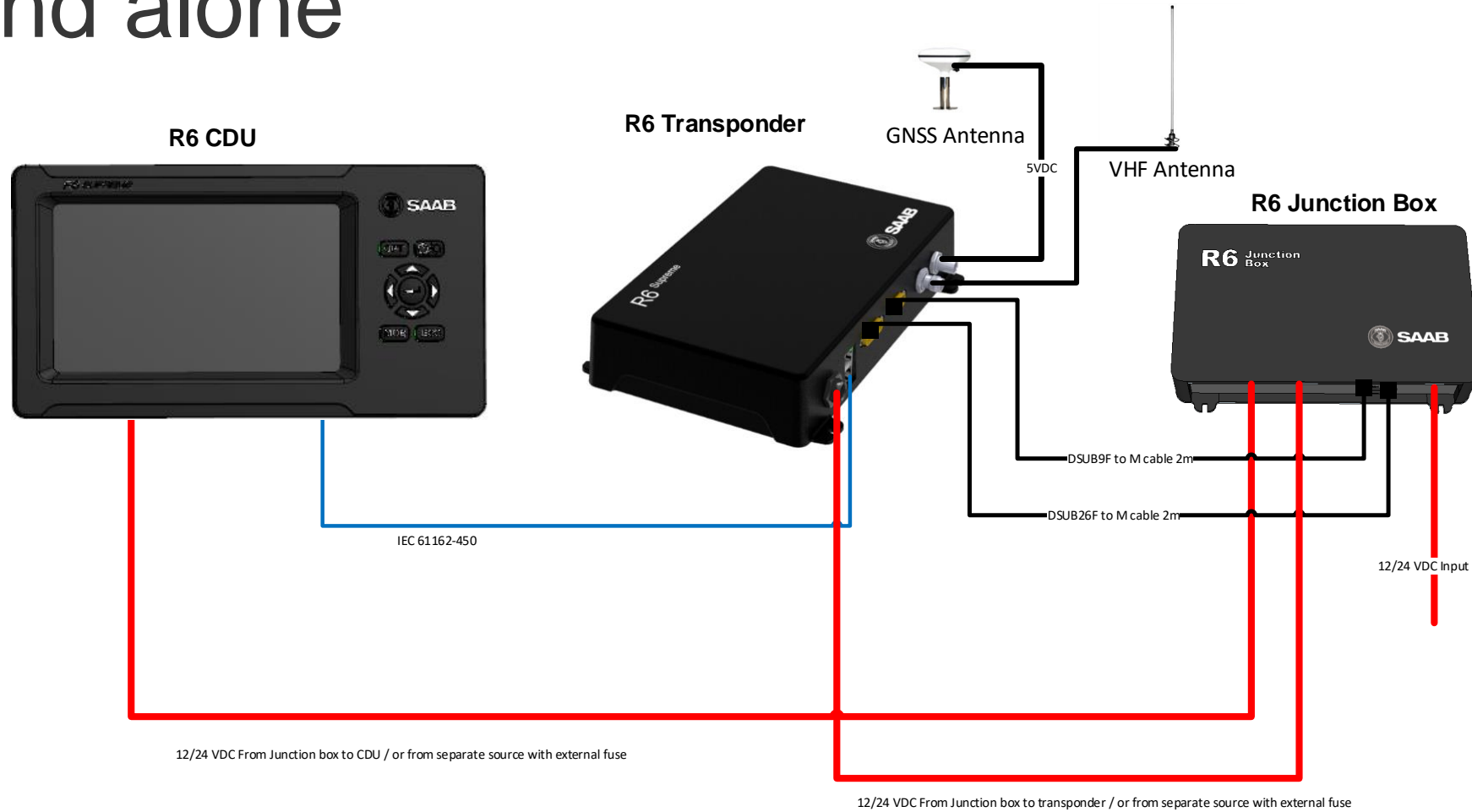
R6 SUPREME Transponder interfaces

- Dual IEC 61162-450 Ethernet interface
 - Redundant networks
- 1 x DSUB-26M with serial and other I/O
 - Fits R5 AIS and R6 junction box
- 1 x DSUB-9M with single 61162-2 interface
 - Same pinout as CDU
- 1 x power connector
 - Fits R5 AIS power cable



Interconnection diagram example

Stand alone



Interconnection diagram in network

