

Variant description

Explanation of WMI2-15W-205 Types

This document describes the differences of HW W205-15W. There are 2 types available. The delta is explained based on block diagram and on component level. All variant are based on PCB LP1449-008, but both variants differ in various assembly.

Info: Components which are stroke out, were not placed in SMD production process

WMI2-15W-W205 Type	2609-095-301-51
WMI2-15W-W205 Type: M1	2609-095-351-51

Friedrichsdorf 21. Oct. 2019



Harald Rechert

System & Product Department Manager



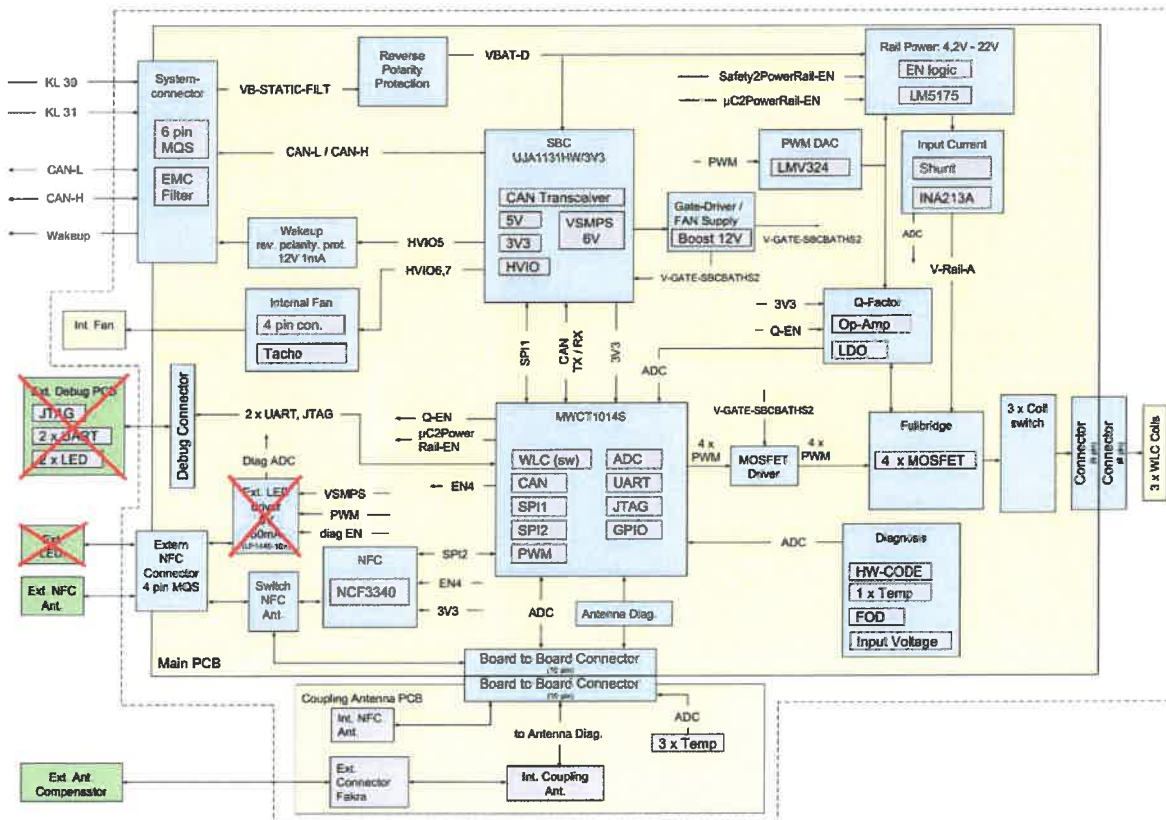
Uwe Hänig

R&D PTM

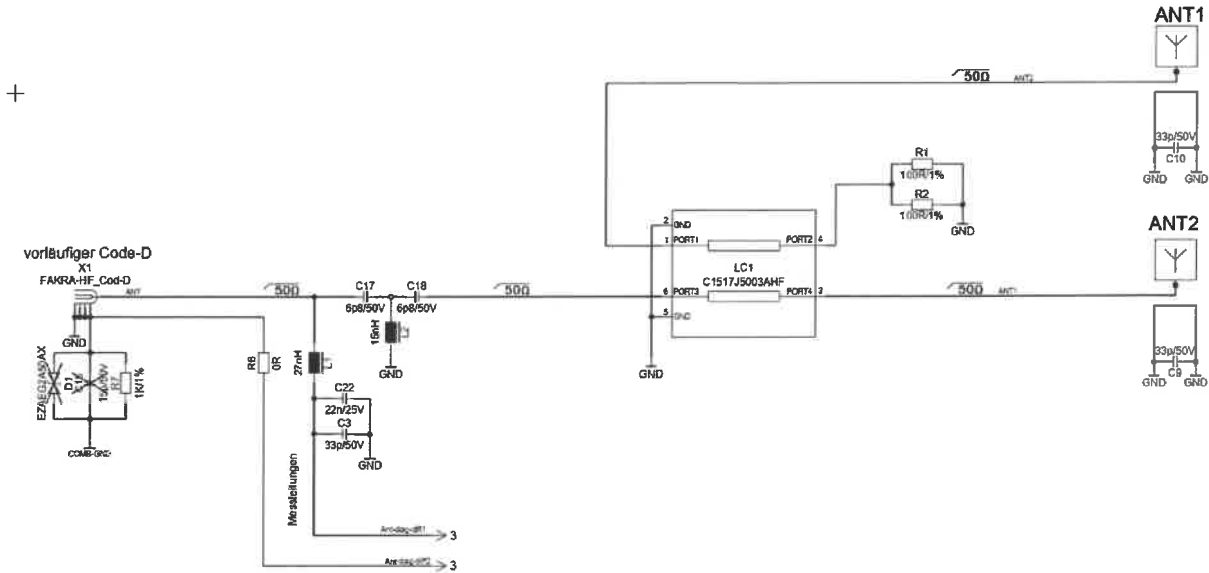
Variant description

WMI2-W15W-W205 (2609-095-301-51) contains the main-PCBA 2189-222-308-00 and the couple-PCBA 2189-240-305-00

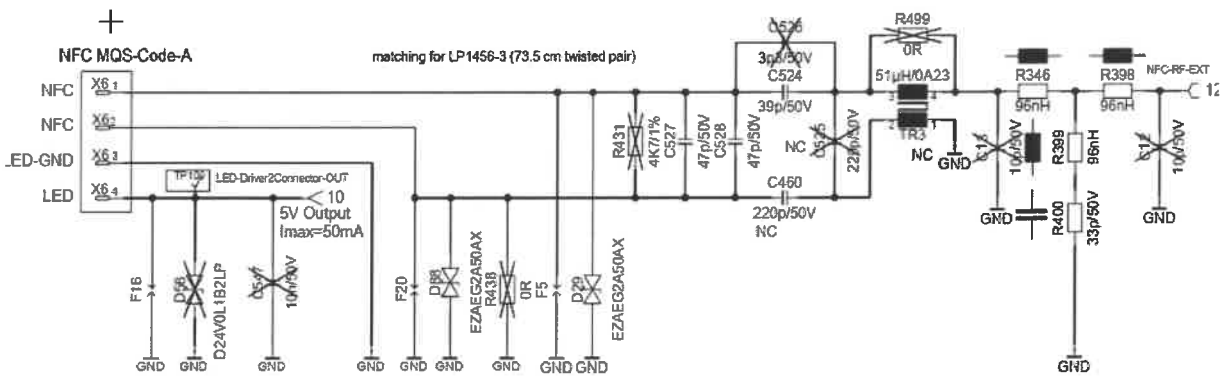
- with GSM couple function
- with external NFC connection



Variant description



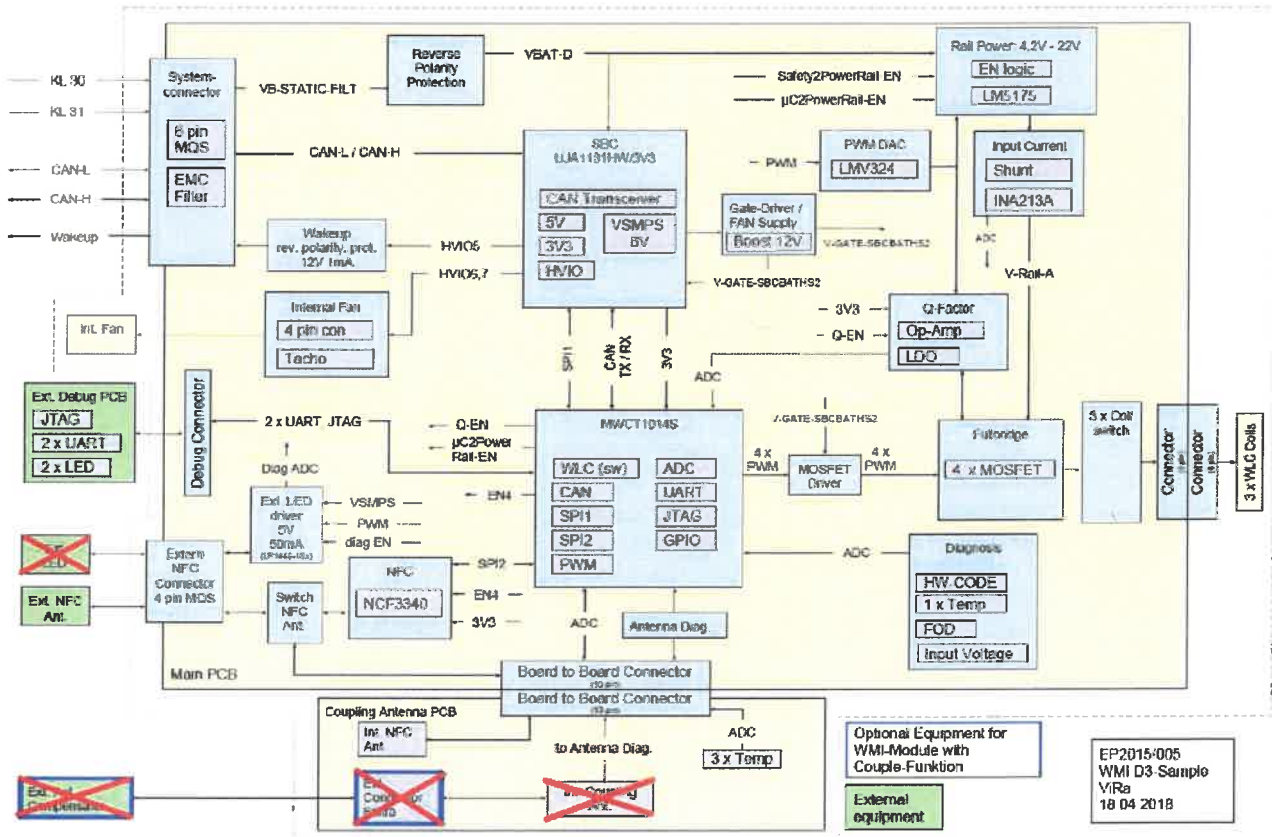
GSM couple function



Ext. NFC-Antenna

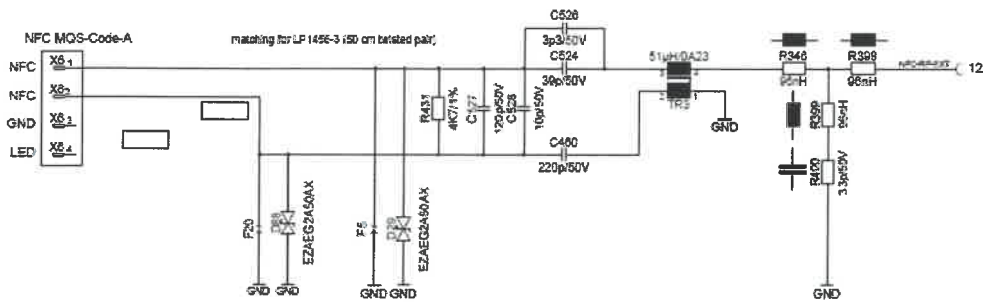
Variant description

WMI2-15W-W205 Type: M1 (2609-095-351-51) contains the main-PCBA 2189-222-308-00 and the couple-PCBA 2189-240-904-00

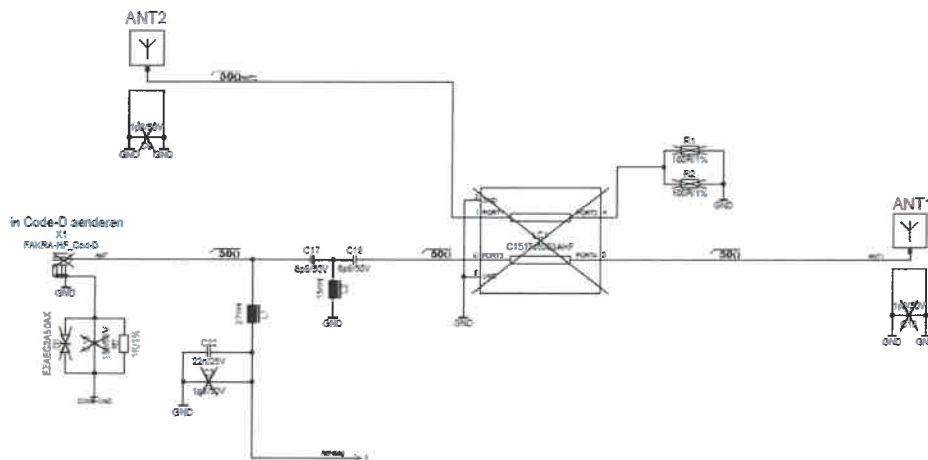


- with external NFC connection
- without GSM couple function

Variant description



Ext. NFC-Antenna



GSM couple function not available