



Mercedes-Benz

• **Accessories**

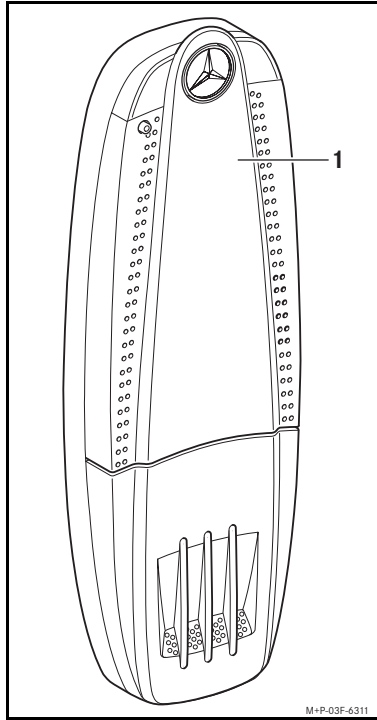
---

**Installation Instructions**

Mercedes-Benz  
Bluetooth® Cradle adaptor



***Mercedes-Benz  
Bluetooth® Cradle adaptor***



M+P-03F-6311



The Mercedes-Benz approved/  
recommended Bluetooth® Phones can be  
utilized inside Mercedes-Benz vehicles  
without affecting vehicle electronics.

**Application**

These installation instructions are valid for  
vehicles with an MHI hands-free  
communications systems and a  
Mercedes-Benz-approved Bluetooth®  
mobile telephone. An overview of approved  
mobile telephones can be found on the  
Internet at [www.wireless4mb.com](http://www.wireless4mb.com) and is  
available at any Mercedes-Benz Center.

**Parts included**

- (1) Mercedes-Benz Bluetooth®  
Cradle adaptor

**Notes**

Please contact your local Mercedes-Benz  
Dealer if you encounter difficulties when  
installing or operating the MB Bluetooth®  
Cradle adaptor.

More information can be found on the  
Internet at [www.wireless4mb.com](http://www.wireless4mb.com).

The manufacturer reserves the right to  
change technical details from those shown  
in the illustrations contained in these  
installation instructions.

These installation instructions also refer to  
the vehicle Operator's Manual, COMAND  
Operator's Manual, and mobile telephone  
manual. Please refer to them for reference.

**RF Exposure statement:**

The antenna shown in this filing must not be co-located or operated in conjunction with any other antenna or transmitter. End users may not be provided with the installation instructions. OEM integrators and end users must be provided with transmitter operating conditions for satisfying RF exposure compliance.

For portable applications OEM integrators need no SAR evaluation. The max source-based time-averaged output of 0.0005 W is below the low threshold of 24mW for  $d < 1.5$  cm.

**Statement according to FCC part 15.21:**

Modifications not expressly approved by this company could void the user's authority to operate the equipment.

**Statement according to FCC part 15.105:**

NOTE: This equipment has been tested and found to comply with the limits for a Class B digital device, pursuant to Part 15 of the FCC Rules. These limits are designed to provide reasonable protection against harmful interference in a residential installation. This equipment generates, uses and can radiate radio frequency energy and, if not installed and used in accordance with the instructions, may cause harmful interference to radio communications.

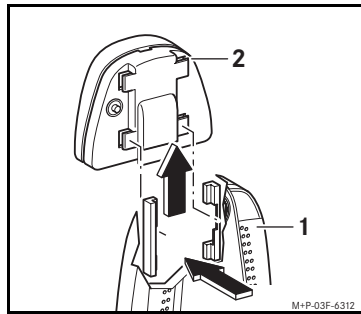
However, there is no guarantee that interference will not occur in a particular installation. If this equipment does cause harmful interference to radio or television reception, which can be determined by turning the equipment off and on, the user is encouraged to try to correct the interference by one or more of the following measures:

- Reorient or relocate the receiving antenna.
- Increase the separation between the equipment and receiver.
- Connect the equipment into an outlet on a circuit different from that to which the receiver is connected.
- Consult the dealer or an experienced radio/TV technician for help.

**Note**

This device complies with part 15 of the FCC Rules. Operation is subject to the following two conditions:

- This device may not cause harmful interference.
- This device must accept any interference received, including interference that may cause undesired operation.

**Installing the MB Bluetooth<sup>®</sup> Cradle adaptor**

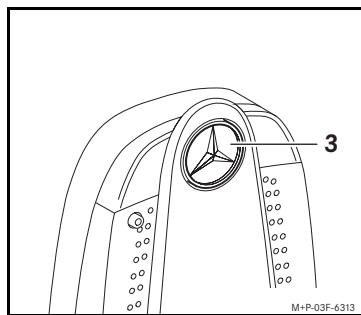
Insert the MB Bluetooth<sup>®</sup> Cradle adaptor (1) into the catches on the pre-installed contact plate (2), located in the center console. While inserting the MB Bluetooth<sup>®</sup> Cradle adaptor (1), slide it upwards until it clicks into place.

- Reorient or relocate the receiving antenna.
- Increase the separation between the equipment and receiver.
- Connect the equipment into an outlet on a circuit different from that to which the receiver is connected.
- Consult the dealer or an experienced radio/TV technician for help.



### **Pairing the mobile telephone with the MB Bluetooth® Cradle adaptor**

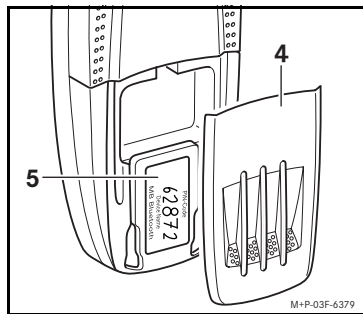
Make sure that the starter switch is in position 1 (see the vehicle Operator's Manual).



1. With MB Bluetooth® Cradle adaptor connected to vehicle press the button (3) for approx. 2-3 seconds.

LED's will begin to flash rapidly. The MB Bluetooth® Cradle adaptor is in Discovery Mode and can be detected by a Bluetooth® mobile telephone. The MB Bluetooth® Cradle adaptor will appear as "MB Phone system" on the mobile telephone. The mobile telephone will prompt the user for a Pass-Key.

2. For instructions on how to get the mobile telephone ready for pairing, see the mobile telephone manual or go to [www.wireless4mb.com](http://www.wireless4mb.com). on the Internet. Once the mobile telephone and MB Bluetooth® Cradle adaptor find each other the mobile telephone will prompt the user to enter a Pass-Key.



3. To locate the Pass-Key remove cover (4) by sliding it away from the MB Bluetooth<sup>®</sup> Cradle adaptor. Located behind this cover (4) there will be a sticker containing the Pass-Key (5).

4. Enter the Pass-Key into the mobile telephone. Depending on the type of mobile telephone being used, it may be necessary to confirm a connection request (see the mobile telephone manual).

Once the Pass-Key has been entered and accepted the LED's will be lit continuously. This confirms that the mobile telephone is paired and the mobile telephone information has been stored in the MB Bluetooth<sup>®</sup> Cradle adaptor.

The connection is re-established automatically every time the mobile telephone enters into the MB Bluetooth® Cradle adaptor's range, as long as the mobile telephone is switched on and the starter switch is in position 1 (see the vehicle Operator's Manual).

Depending on the type of mobile telephone being used, a message may appear in the display (see the mobile telephone manual). The mobile telephone is now in hands-free mode and it is possible to make calls using the vehicle hands-free system (see the vehicle Operator's Manual or the COMAND Operator's Manual).

**Note**

A maximum of 4 mobile telephones can be paired with the MB Bluetooth® Cradle adaptor at a time. However, only one mobile telephone is connected to the MB Bluetooth® Cradle adaptor at a time. If a fifth mobile telephone is paired with the MB Bluetooth® Cradle adaptor, then the information stored from the first mobile telephone which was paired with the MB Bluetooth® Cradle adaptor will be deleted.

When the starter switch is in position 1 (see the vehicle Operator's Manual), the MB Bluetooth® Cradle adaptor will search for the last connected mobile telephone and reconnect. The mobile telephone will then be reconnected as soon as it enters the range of the MB Bluetooth® Cradle adaptor. If the last-connected mobile telephone is not detected, the second-to-last connected mobile telephone (and so on) will be searched for sequentially and, if detected by the MB Bluetooth® Cradle adaptor, reconnected.

If the connection between the MB Bluetooth® Cradle adaptor and mobile telephone is not established automatically, it is possible to establish a connection manually (see page 7).

When using Bluetooth® the mobile telephone uses more power. Since the mobile telephone is not being charged the battery should have a sufficient charge.

SMS messages can not be accessed via the COMAND or radio while the Bluetooth® connection is established.

Different ring-tones of the mobile telephone are not supported by the COMAND or radio.

3-way-calling is not supported from the MB Bluetooth® V60 adaptor. A waiting call will be signaled through an audible notification.

The Tele Aid System (emergency call system) will continue to function as designed as long as there is a valid service contract.

For a list of possible features visit [www.wireless4mb.com](http://www.wireless4mb.com).

**Connecting the mobile telephone and MB Bluetooth® Cradle adaptor manually**

Valid for all Mercedes-Benz vehicles with the exception of the model year 2007 S-Class:

- Press button **TEL** on the COMAND or radio.

Model year 2007 S-Class vehicles:

- See vehicle Operator's Manual.

**Note**

Before connecting the mobile telephone and MB Bluetooth® Cradle adaptor manually, the mobile telephone must already be paired with the MB Bluetooth® Cradle adaptor (see page 3).

When the mobile telephone is within the range of the MB Bluetooth® Cradle adaptor, the connection between the mobile telephone and the MB Bluetooth® Cradle adaptor remains active, and phone calls made with the mobile telephone use the vehicle's hands-free system. For this reason, the connection between the mobile telephone and the MB Bluetooth® Cradle adaptor should be disconnected manually if the mobile telephone is taken out of the vehicle (see page 9).

When the starter switch is in position 1 a connection between the mobile telephone and the MB Bluetooth® Cradle adaptor will be established.

In the case where the Bluetooth® connection was disconnected manually through the mobile telephone menu the connection will not automatically be reconnected. If the disconnection was caused by the mobile telephone going out of range of the MB Bluetooth® Cradle adaptor the connection will automatically be reconnected. If this is not the case, the connection must be established manually.

**Disconnecting the Bluetooth® -  
connection automatically**

The connection between the MB Bluetooth® Cradle adaptor and the mobile telephone is automatically disconnected if the maximum range (30 ft) is exceeded. Depending on the type of mobile telephone being used, it may be necessary to confirm a connection request (see the mobile telephone operating instructions).

**Note**

When within the range of the MB Bluetooth® Cradle adaptor, the connection between the mobile telephone and the MB Bluetooth® Cradle adaptor remains active, and phone calls made with the mobile telephone use the vehicle's hands-free system. For this reason, the connection between the mobile telephone and the MB Bluetooth® Cradle adaptor should be disconnected manually if the mobile telephone is taken out of the vehicle.

**Disconnecting the Bluetooth® -  
connection manually**

The connection between the mobile telephone and the MB Bluetooth® Cradle adaptor can be disconnected at any time (see the mobile telephone manual).

Disconnect the paired mobile telephone from MB Bluetooth® Cradle adaptor using COMAND or radio.

Valid for all Mercedes-Benz vehicles with the exception of the model year 2007 S-Class:

- Press and hold button **TEL** on the COMAND or radio for approx. 3 seconds.

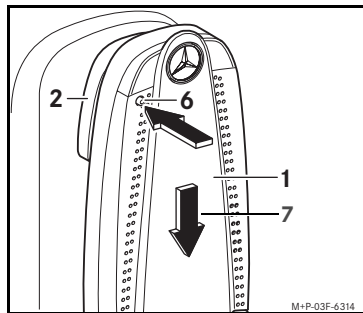
Model year 2007 S-Class vehicles:

- See vehicle Operator's Manual.

**Note**

If a phone call is in progress, the connection can only be disconnected directly on the mobile telephone (see the mobile telephone operating instructions).

### Detaching the MB Bluetooth® Cradle adaptor



Press and hold the release button (6). Slide the MB Bluetooth® Cradle adaptor (1) in direction of arrow (7) and remove it from the pre-installed contact plate (2).

#### Operating instructions

Please refer to your Mercedes-Benz vehicle Owner's Manual for operating instructions regarding the MHI hands-free communication system cradle.



© 2005, Mercedes-Benz Accessories Inc.  
Not to be reprinted, translated or otherwise  
reproduced, either wholly or in part.  
Mercedes-Benz Accessories Inc., Stuttgart ·  
A DaimlerChrysler AG Company  
11/05  
03F029-05  
Printed on 100 % Recycled Paper