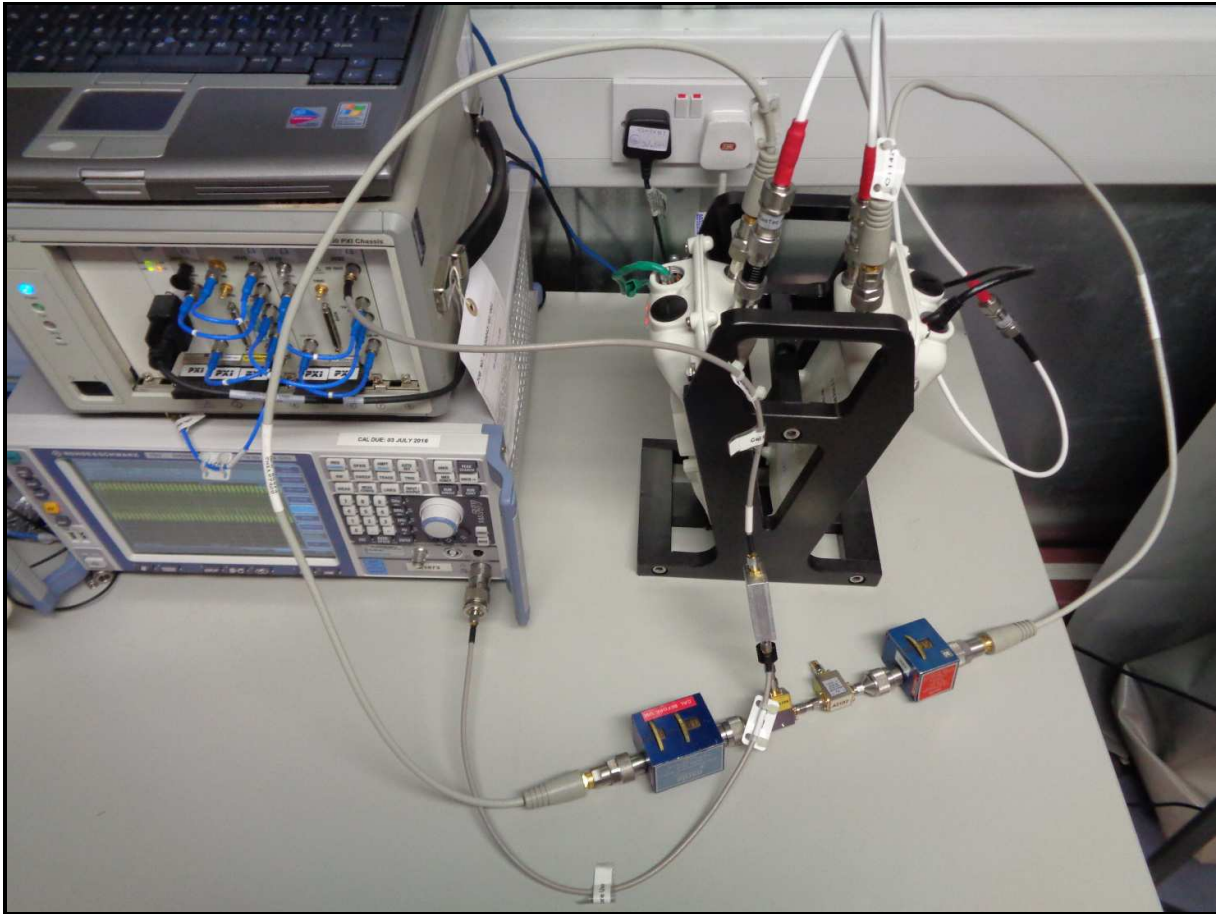
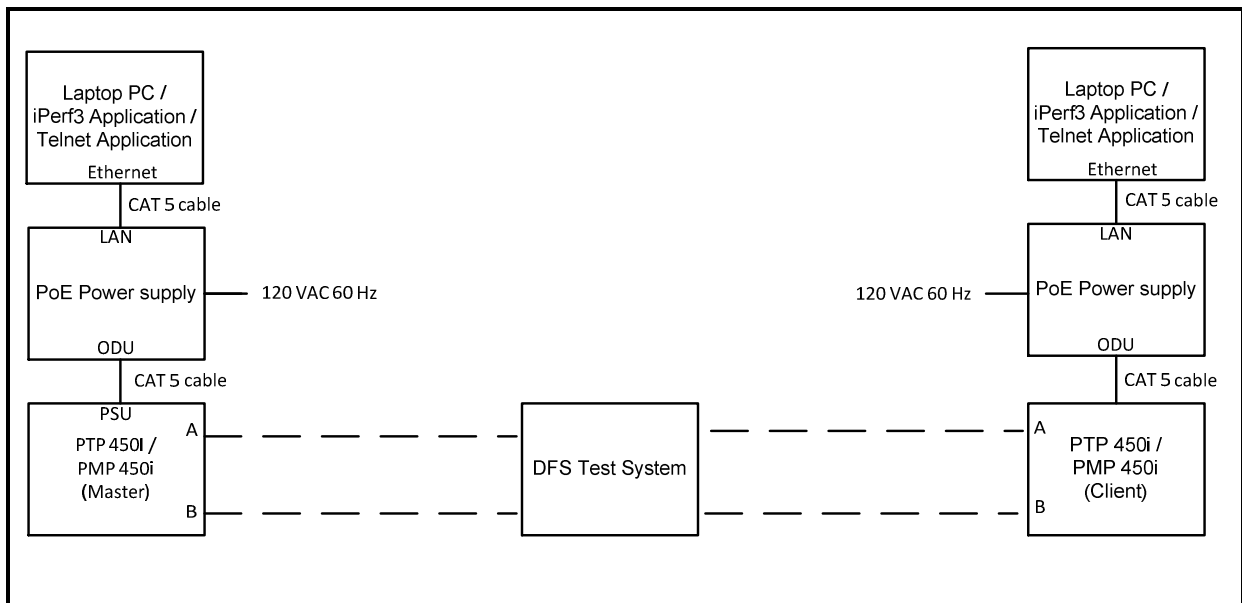


Equipment Setup Photograph – Conducted Method



Test set-up photo showing both Master and Client

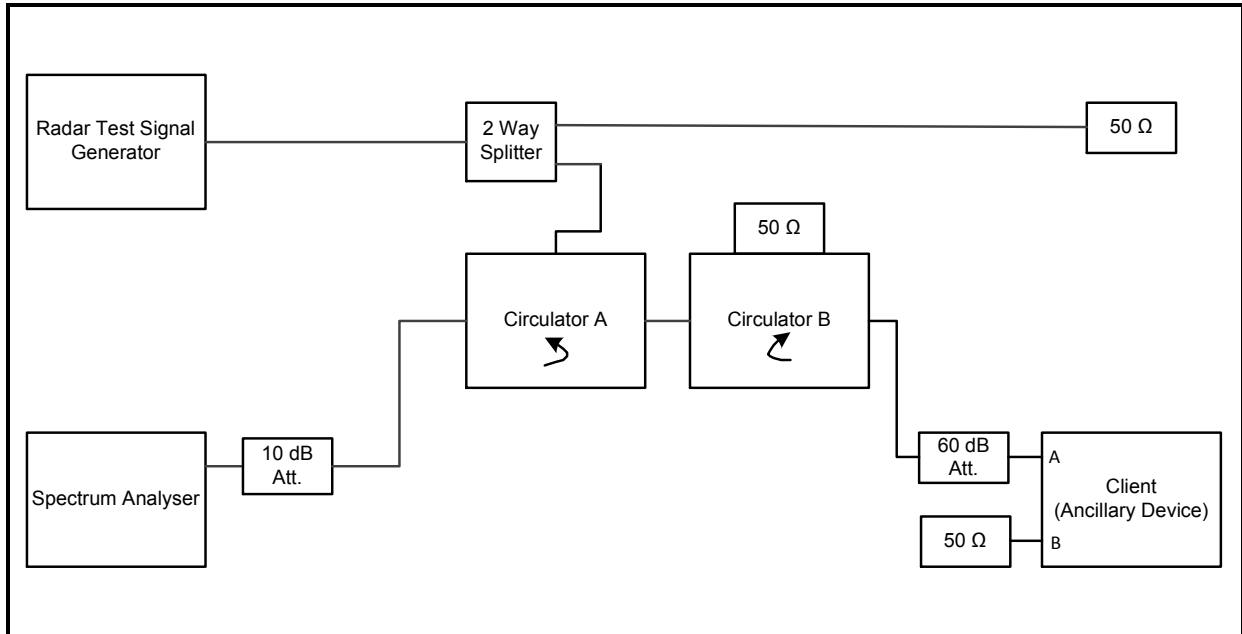


EUT and Test set-up block diagram

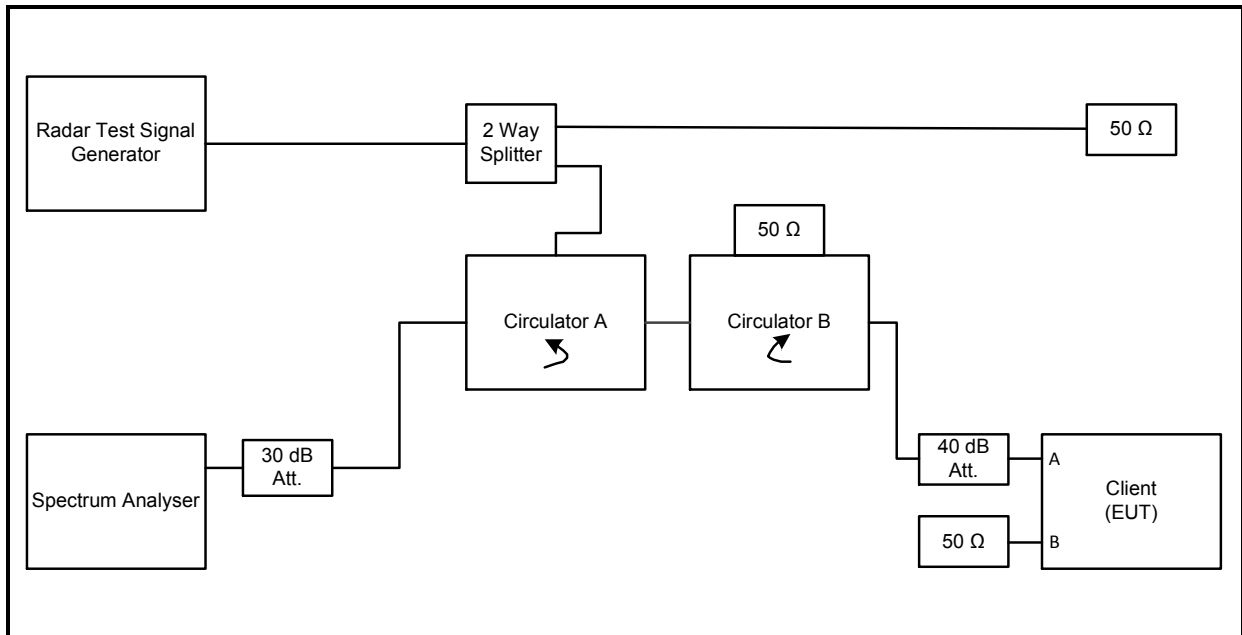
Equipment Setup for Calibration Block Diagram – Conducted Method

Calibration was performed using the setups as shown below.

EUT as Master with Radar Injection at Master



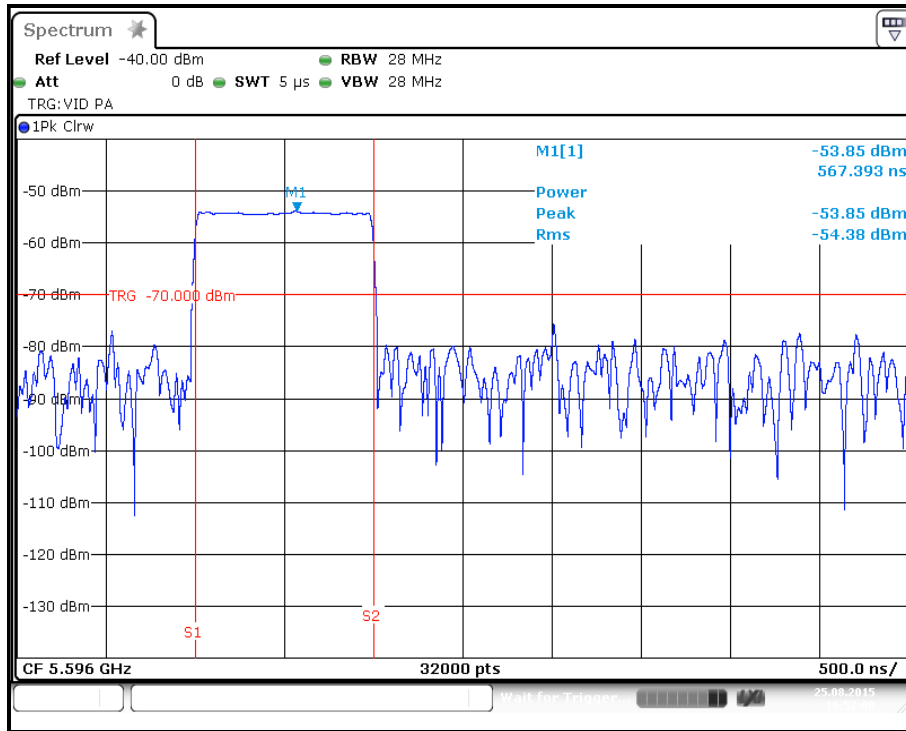
EUT as Client with Radar Injection at Master



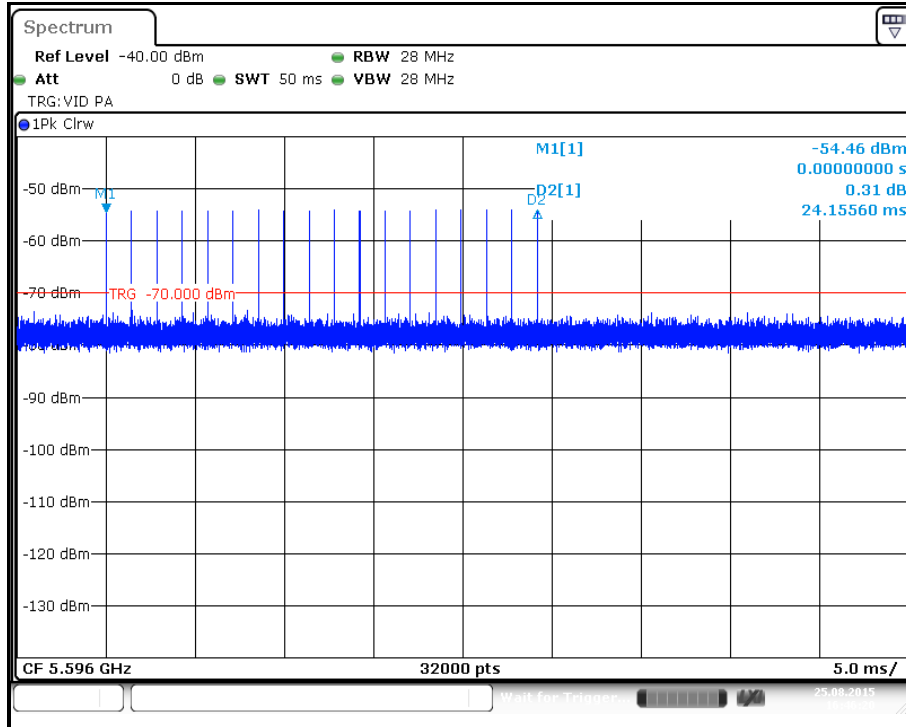
Radar Verification

The test system and its waveform generation has been validated by the FCC as an 'approved' device (see Appendix 4 of this test report), therefore full analysis of each radar is not necessary. However, below are sample plots for each of the radar types. Note the full timing plots of all the pulses in the waveform may give slightly inaccurate amplitudes. They are therefore accurate only as timing plots for an example radar overview.

Radar Type 0

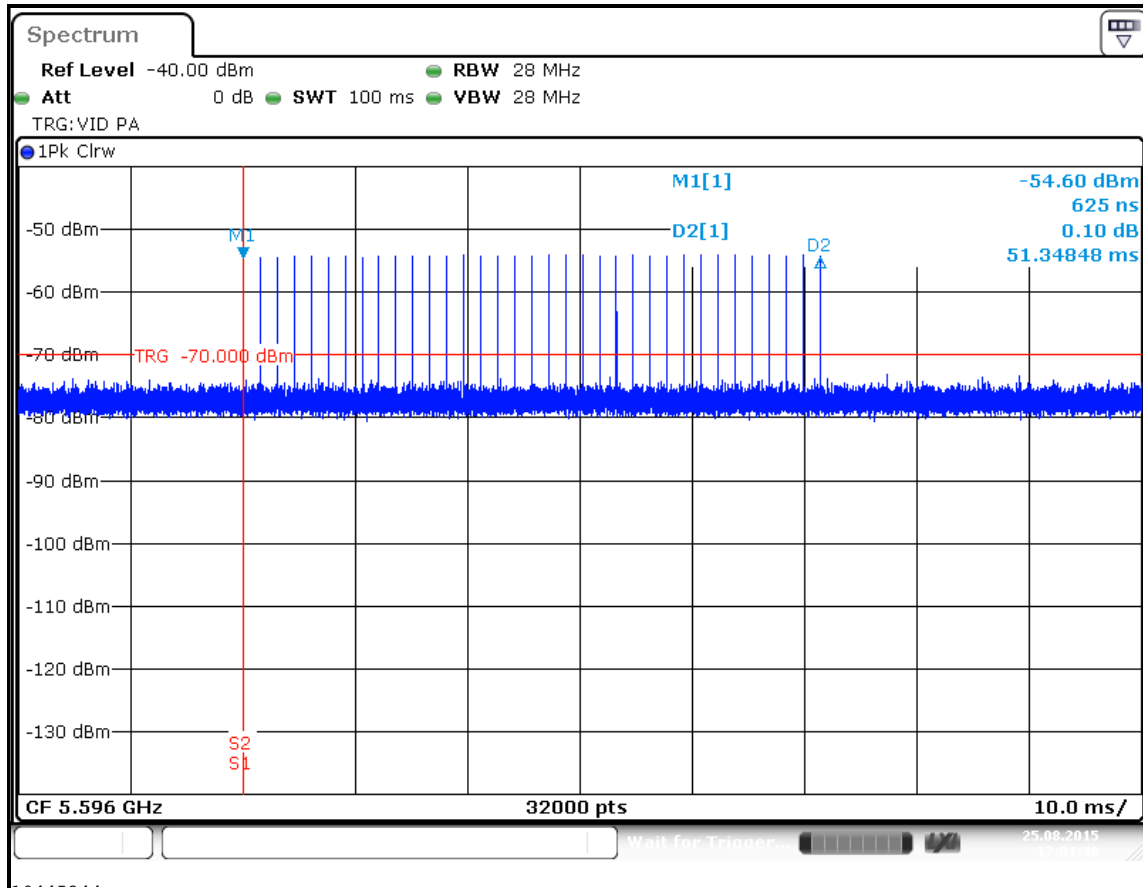


Radar Type 0 – single 1 μs pulse



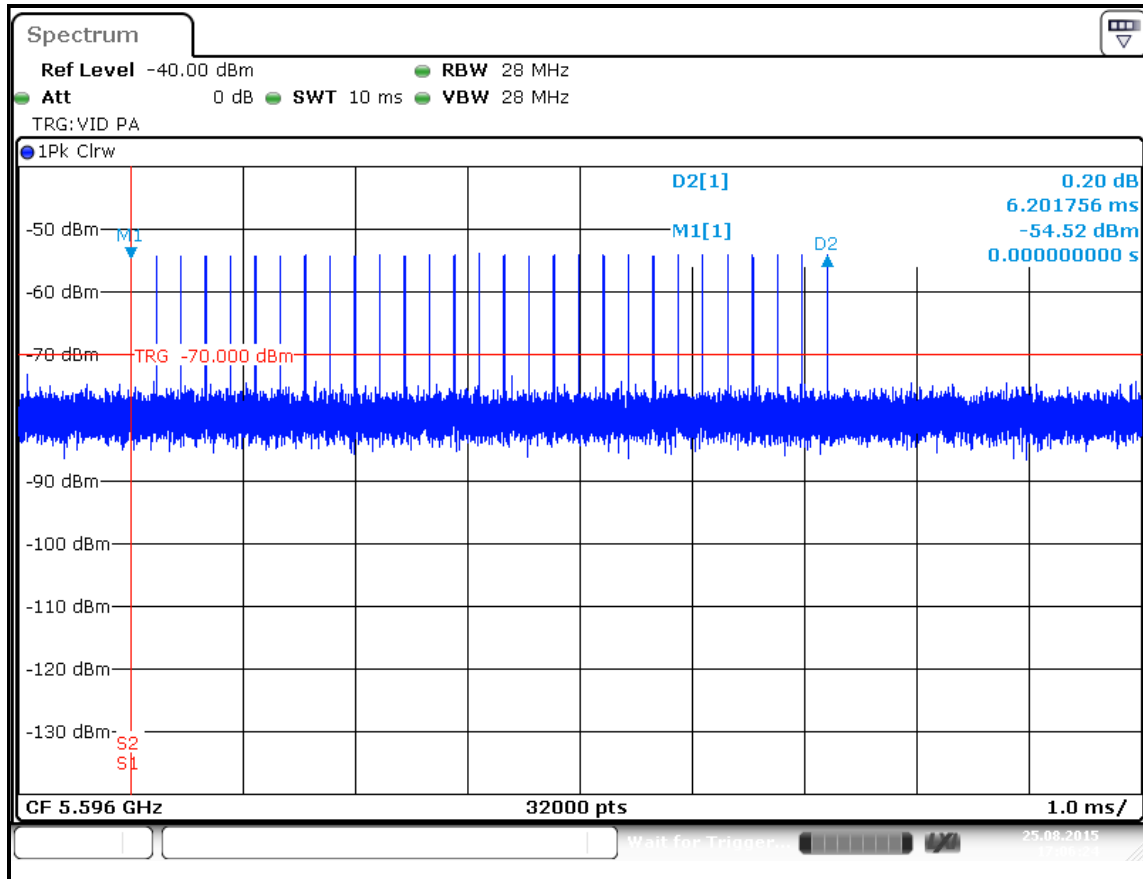
Radar Type 0 – full 18 pulse waveform

Radar Type 1



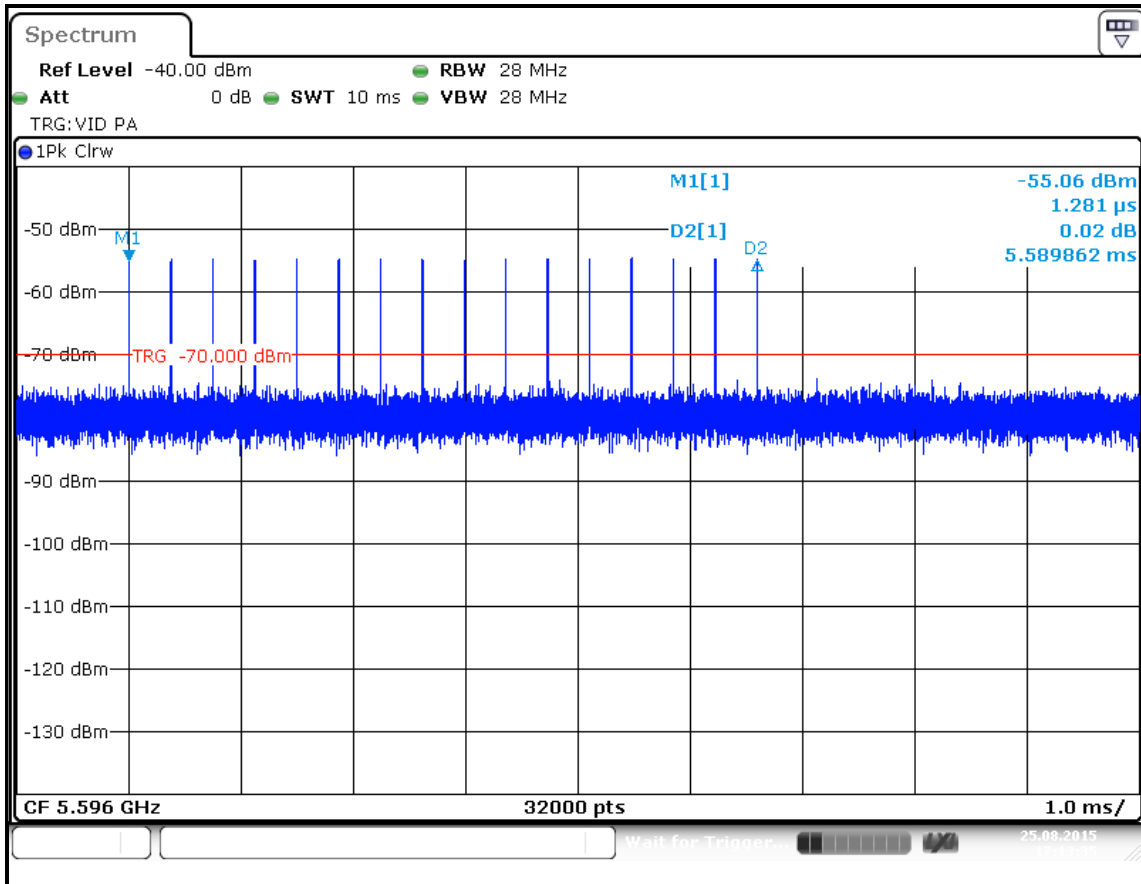
Radar Type 1 – 1 μs pulse width, 1514 μs PRI, 35 pulses

Radar Type 2



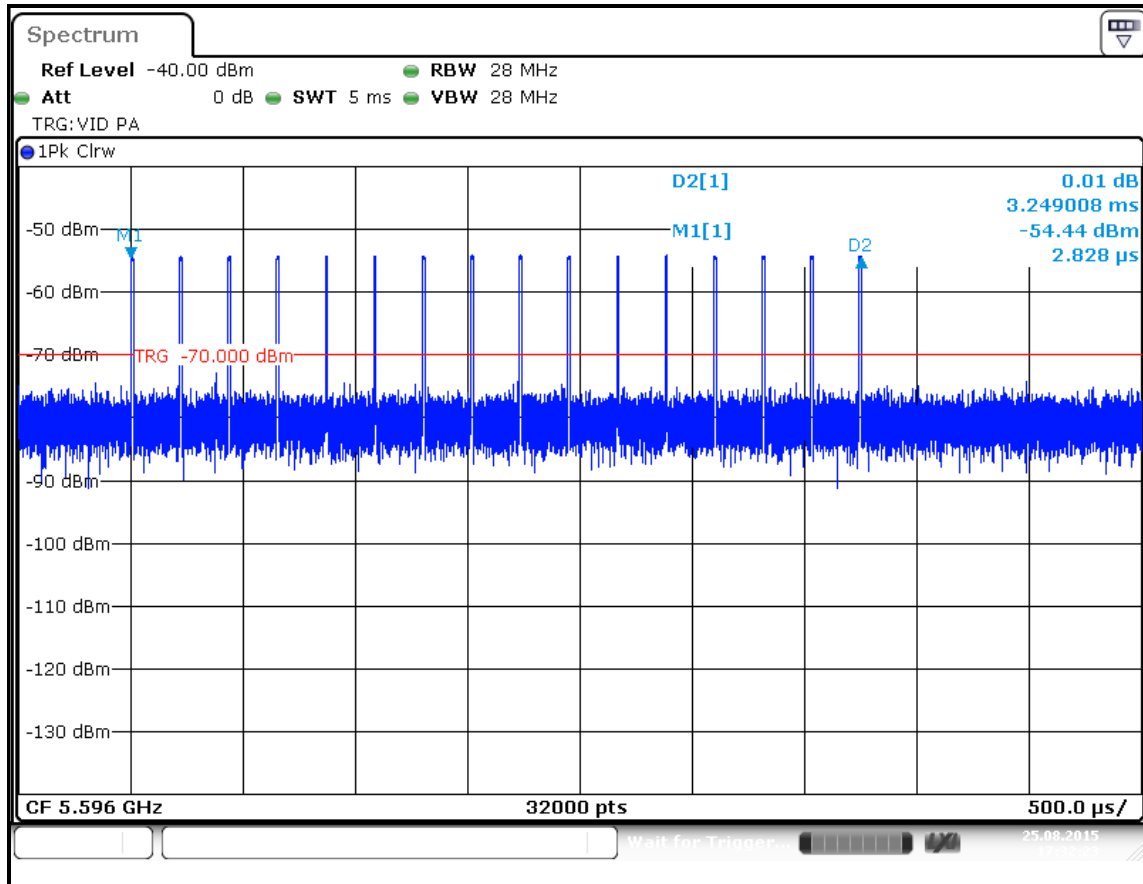
Radar Type 2 – 1 μ s pulse width, 227 μ s PRI, 29 pulses

Radar Type 3



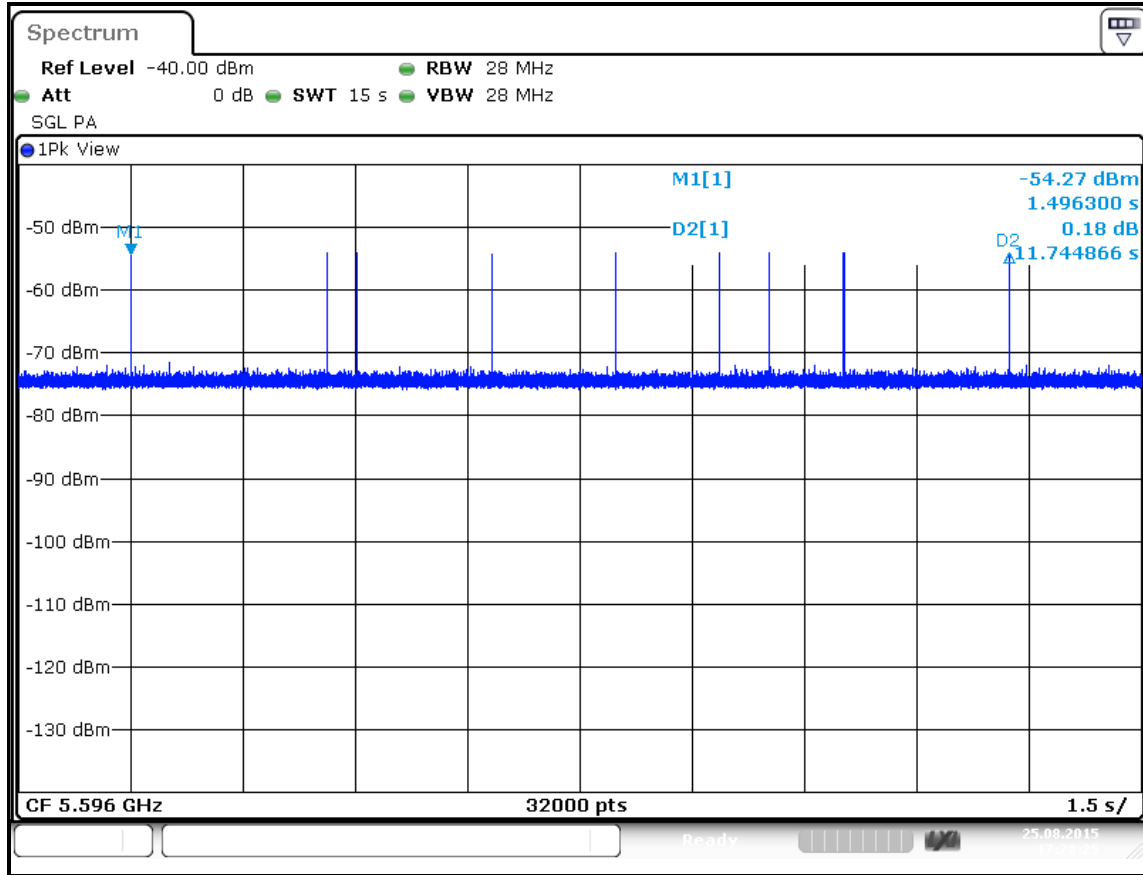
Radar Type 3 – 6 μ s pulse width, 382 μ s PRI, 16 pulses

Radar Type 4



Radar Type 4 – 11 μ s pulse width, 227 μ s PRI, 16 pulses

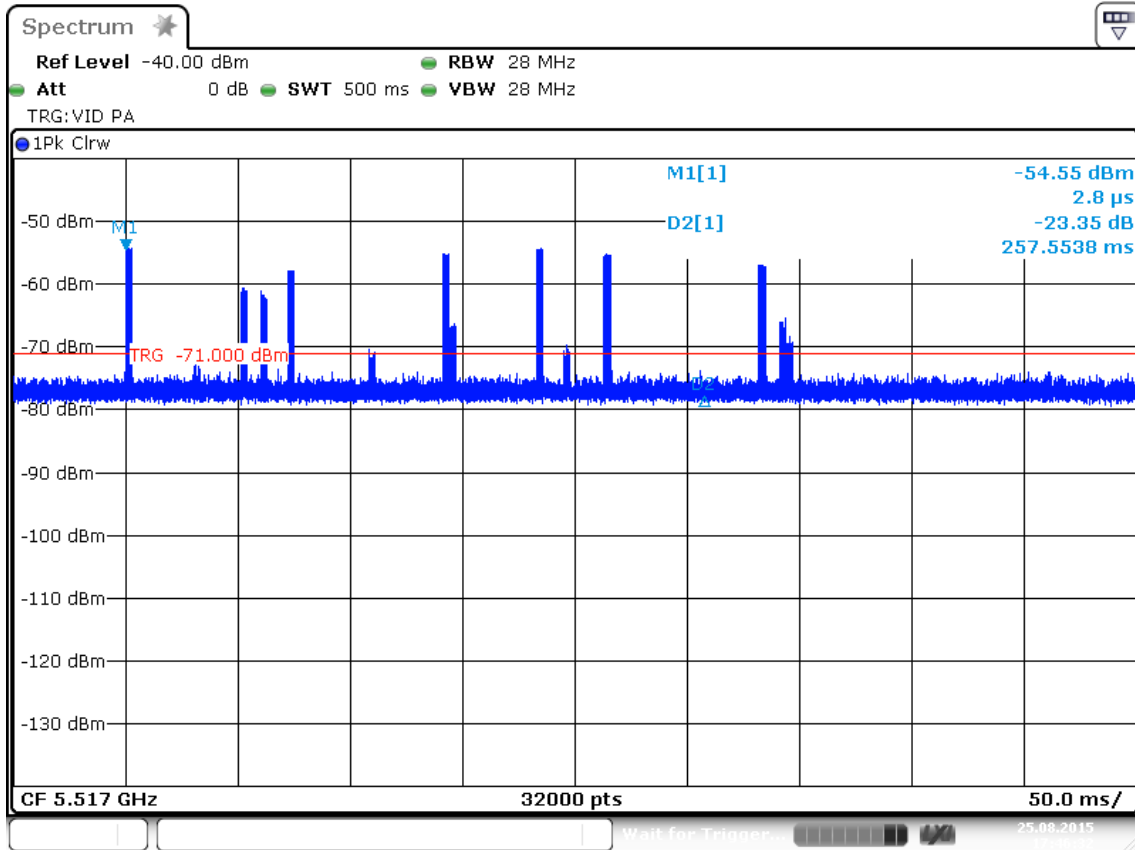
Radar Type 5 (Long)



Long Radar Type 5

Burst Segment	Number of Pulses	Pulse Width (µs)	Chirp Width (MHz)	Pulse 1-to-2 Spacing (µs)	Pulse 2-to-3 Spacing (µs)	Starting Location Within Interval (µs)
1	3	70	20	1131	1295	14917
2	1	95	10	-	-	1304844
3	3	61	18	1032	1911	375940
4	1	56	10	-	-	844906
5	3	76	9	1042	1867	1162732
6	3	68	7	1691	1497	1216172
7	3	82	17	1890	1878	550049
8	2	96	7	1712	-	207607
9	2	75	12	1607	-	1094193

Radar Type 6 (Hopping)



Hopping Radar Pulse 6 (Centre Frequency adjusted to first hop frequency)

Hopping sequence (MHz):	5517, 5699, 5327, 5609, 5637, 5665, 5441, 5712, 5671, 5302, 5482, 5300, 5650, 5480, 5474, 5651, 5723, 5497, 5584, 5459, 5496, 5384, 5646, 5456, 5533, 5329, 5309, 5274, 5292, 5692, 5569, 5601, 5289, 5703, 5717, 5418, 5548, 5328, 5577, 5338, 5387, 5392, 5437, 5357, 5449, 5438, 5270, 5509, 5492, 5268, 5673, 5407, 5383, 5596, 5325, 5557, 5605, 5417, 5670, 5628, 5443, 5514, 5455, 5298, 5440, 5487, 5256, 5285, 5381, 5643, 5295, 5508, 5313, 5346, 5697, 5585, 5561, 5271, 5341, 5674, 5621, 5630, 5659, 5641, 5668, 5635, 5632, 5434, 5603, 5706, 5308, 5259, 5675, 5322, 5503, 5413, 5708, 5542, 5489, 5337
--------------------------------	--

Appendix 4. Test platform confirmation email

From: Andrew Leimer [<mailto:Andrew.Leimer@fcc.gov>]
Sent: Friday, September 23, 2011 4:24 PM
To: Chisham, Steve
Cc: Carey, Tim; Hack, Barry; Rashmi Doshi; Joe Dichoso
Subject: RE: Certification for Aeroflex DFS solution

Hello Steve,

The Aeroflex "DXI based DFS test solution" system used for DFS alternative radar signal generation has been approved by the FCC and NTIA.

This approval permits the system to be used by labs in the testing of DFS devices for equipment authorization Certification. It is recommended that applicants that use your system for testing include a statement in the Test Report or a Letter Exhibit stating that the system has FCC and NTIA approval. This E-mail is your record of this approval.

Note that the appropriate term for your system is Approved as the term Certification is reserved for devices gaining equipment authorization through the FCC or a TCB.

Regards,
Andy Leimer

FCC/OET/EACB

Appendix 5. Statistical Performance Check– Radar Type 1 Trial Records**5 MHz Master**

Radar Type 1			
Trial #	'Test A' Pulse Repetition Frequency Number	Pulse Repetition Frequency (Pulses/s)	Pulse Repetition Interval (μ s)
1	N/A - 'Test B' Radar	859.1	1164
2	N/A - 'Test B' Radar	746.3	1340
3	N/A - 'Test B' Radar	714.8	1399
4	N/A - 'Test B' Radar	700.8	1427
5	N/A - 'Test B' Radar	641	1560
6	N/A - 'Test B' Radar	594.2	1683
7	N/A - 'Test B' Radar	570.1	1754
8	N/A - 'Test B' Radar	532.2	1879
9	N/A - 'Test B' Radar	507.9	1969
10	N/A - 'Test B' Radar	500	2000
11	N/A - 'Test B' Radar	448.6	2229
12	N/A - 'Test B' Radar	439.2	2277
13	N/A - 'Test B' Radar	384.6	2600
14	23	326.2	3066
15	2	1858.7	538
16	3	1792.1	558
17	5	1672.2	598
18	6	1618.1	618
19	7	1567.4	638
20	N/A - 'Test B' Radar	1524.4	656
21	8	1519.8	658
22	9	1474.9	678
23	10	1432.7	698
24	11	1392.8	718
25	15	1253.1	798
26	16	1222.5	818
27	18	1165.5	858
28	N/A - 'Test B' Radar	1161.4	861
29	20	1113.6	898
30	21	1089.3	918

10 MHz Master

Radar Type 1			
Trial #	'Test A' Pulse Repetition Frequency Number	Pulse Repetition Frequency (Pulses/s)	Pulse Repetition Interval (μ s)
1	N/A - 'Test B' Radar	965.3	1036
2	N/A - 'Test B' Radar	963.4	1038
3	N/A - 'Test B' Radar	924.2	1082
4	N/A - 'Test B' Radar	827.8	1208
5	N/A - 'Test B' Radar	812.3	1231
6	N/A - 'Test B' Radar	770.4	1298
7	N/A - 'Test B' Radar	688.2	1453
8	N/A - 'Test B' Radar	668.4	1496
9	N/A - 'Test B' Radar	583.4	1714
10	N/A - 'Test B' Radar	472.1	2118
11	N/A - 'Test B' Radar	444.4	2250
12	N/A - 'Test B' Radar	415.5	2407
13	N/A - 'Test B' Radar	394.6	2534
14	N/A - 'Test B' Radar	351.7	2843
15	23	326.2	3066
16	1	1930.5	518
17	4	1730.1	578
18	5	1672.2	598
19	8	1519.8	658
20	N/A - 'Test B' Radar	1464.1	683
21	10	1432.7	698
22	12	1355	738
23	13	1319.3	758
24	15	1253.1	798
25	16	1222.5	818
26	17	1193.3	838
27	18	1165.5	858
28	19	1139	878
29	20	1113.6	898
30	21	1089.3	918

20 MHz Master

Radar Type 1			
Trial #	'Test A' Pulse Repetition Frequency Number	Pulse Repetition Frequency (Pulses/s)	Pulse Repetition Interval (μ s)
1	N/A - 'Test B' Radar	706.2	1416
2	N/A - 'Test B' Radar	605.3	1652
3	N/A - 'Test B' Radar	598.8	1670
4	N/A - 'Test B' Radar	575.7	1737
5	N/A - 'Test B' Radar	503.3	1987
6	N/A - 'Test B' Radar	452.3	2211
7	N/A - 'Test B' Radar	431	2320
8	N/A - 'Test B' Radar	430.7	2322
9	N/A - 'Test B' Radar	420.7	2377
10	N/A - 'Test B' Radar	399.8	2501
11	N/A - 'Test B' Radar	343.5	2911
12	N/A - 'Test B' Radar	340.4	2938
13	23	326.2	3066
14	1	1930.5	518
15	2	1858.7	538
16	4	1730.1	578
17	5	1672.2	598
18	6	1618.1	618
19	7	1567.4	638
20	N/A - 'Test B' Radar	1540.8	649
21	8	1519.8	658
22	9	1474.9	678
23	10	1432.7	698
24	12	1355	738
25	13	1319.3	758
26	14	1285.3	778
27	17	1193.3	838
28	N/A - 'Test B' Radar	1177.9	849
29	20	1113.6	898
30	N/A - 'Test B' Radar	1101.3	908

Appendix 6. Statistical Performance Check– Radar Type 2 Trial Records**5 MHz Master**

Radar Type 2			
Trial #	Number Pulses per Burst	Pulse Width (μ s)	PRI (μ s)
1	25	1	213
2	23	1.3	167
3	26	1.3	176
4	24	1.4	207
5	29	1.5	221
6	28	1.6	170
7	24	1.7	216
8	25	1.8	183
9	25	2	222
10	27	2.4	213
11	29	2.5	206
12	25	2.6	195
13	27	2.7	195
14	24	2.7	203
15	23	2.7	204
16	29	2.8	224
17	25	3.1	191
18	27	3.2	195
19	23	3.5	150
20	27	3.5	158
21	26	3.7	180
22	23	3.8	184
23	23	3.8	187
24	27	3.8	195
25	27	4.1	229
26	27	4.3	195
27	28	4.4	153
28	24	4.4	189
29	27	4.5	201
30	28	4.7	184

10 MHz Master

Radar Type 2			
Trial #	Number Pulses per Burst	Pulse Width (μs)	PRI (μs)
1	29	1	163
2	23	1.3	160
3	25	1.3	183
4	28	1.5	209
5	29	1.6	153
6	23	1.6	226
7	24	2	183
8	29	2	227
9	29	2.1	157
10	25	2.1	204
11	29	2.2	205
12	25	2.4	216
13	26	2.5	211
14	27	2.9	170
15	26	2.9	192
16	26	3.2	168
17	25	3.2	205
18	23	3.3	211
19	23	3.3	223
20	26	3.6	161
21	23	3.6	179
22	29	4	214
23	24	4.1	228
24	24	4.2	153
25	27	4.3	157
26	25	4.4	150
27	25	4.6	217
28	23	4.6	229
29	28	4.8	195
30	23	4.9	155

20 MHz Master

Radar Type 2			
Trial #	Number Pulses per Burst	Pulse Width (μ s)	PRI (μ s)
1	25	1.1	177
2	29	1.1	224
3	23	1.3	183
4	25	1.6	222
5	27	1.7	157
6	28	1.7	228
7	29	1.8	153
8	28	2	210
9	26	2.3	180
10	25	2.4	196
11	23	2.5	161
12	28	2.5	200
13	25	2.6	227
14	27	2.7	167
15	26	2.7	199
16	29	2.9	175
17	29	3	217
18	23	3.2	180
19	23	3.2	220
20	25	3.3	155
21	28	3.7	187
22	23	3.8	200
23	28	3.8	202
24	23	4.1	209
25	24	4.2	230
26	23	4.3	160
27	26	4.3	223
28	23	4.4	169
29	27	4.9	152
30	27	5	189

Appendix 7. Statistical Performance Check– Radar Type 3 Trial Records**5 MHz Master**

Radar Type 3			
Trial #	Number Pulses per Burst	Pulse Width (μ s)	PRI (μ s)
1	17	10	387
2	18	6	340
3	18	6.1	362
4	16	6.3	472
5	16	6.4	344
6	18	6.9	416
7	18	6.9	424
8	16	7.1	224
9	17	7.2	439
10	16	7.4	319
11	18	7.5	215
12	18	7.6	249
13	16	7.6	361
14	17	7.7	274
15	16	7.8	311
16	17	8	285
17	17	8.1	331
18	16	8.1	495
19	17	8.2	225
20	18	8.3	239
21	18	8.5	264
22	18	8.7	300
23	17	8.8	383
24	18	9	228
25	17	9	355
26	18	9.1	440
27	17	9.5	268
28	17	9.6	464
29	16	9.8	268
30	16	9.8	303

10 MHz Master

Radar Type 3			
Trial #	Number Pulses per Burst	Pulse Width (μ s)	PRI (μ s)
1	18	10	221
2	16	10	367
3	18	6	268
4	18	6	378
5	17	6.1	244
6	17	6.4	383
7	16	6.5	498
8	16	6.8	218
9	18	6.8	435
10	17	6.9	218
11	18	6.9	444
12	18	7.1	274
13	16	7.1	340
14	16	7.2	259
15	16	7.3	315
16	17	7.3	362
17	18	7.3	395
18	17	7.7	295
19	17	7.8	239
20	17	7.8	249
21	17	8.2	229
22	17	8.3	315
23	17	8.3	381
24	17	8.8	275
25	18	8.8	440
26	16	9	381
27	16	9.1	234
28	18	9.3	311
29	18	9.3	323
30	18	9.6	271

20 MHz Master

Radar Type 3			
Trial #	Number Pulses per Burst	Pulse Width (μ s)	PRI (μ s)
1	17	6.3	289
2	18	6.5	451
3	18	6.6	210
4	18	6.6	314
5	18	6.7	327
6	16	6.7	352
7	17	6.8	228
8	17	6.9	476
9	17	7	246
10	18	7	339
11	18	7	492
12	17	7.3	427
13	18	7.4	202
14	16	7.4	291
15	16	7.7	211
16	18	7.7	303
17	17	7.7	353
18	16	7.8	348
19	17	8.1	360
20	17	8.5	395
21	18	8.5	404
22	17	8.6	425
23	17	8.7	409
24	18	9	395
25	18	9.2	342
26	16	9.2	448
27	16	9.5	224
28	18	9.6	419
29	18	9.7	451
30	18	9.9	357

Appendix 8. Statistical Performance Check– Radar Type 4 Trial Records**5 MHz Master**

Radar Type 4			
Trial #	Number Pulses per Burst	Pulse Width (μ s)	PRI (μ s)
1	15	11.8	218
2	12	12.6	217
3	16	12.6	381
4	13	13	295
5	15	13	462
6	13	13.5	454
7	12	13.6	273
8	13	13.8	487
9	16	14.1	201
10	15	14.1	415
11	12	14.2	224
12	12	14.7	275
13	16	15	213
14	13	16	491
15	15	16.3	331
16	16	16.5	342
17	13	16.6	219
18	13	16.6	430
19	12	16.7	339
20	16	17	404
21	14	17.1	366
22	14	17.2	239
23	14	17.3	234
24	14	17.7	405
25	12	18.2	346
26	16	18.3	221
27	14	18.5	286
28	14	18.7	388
29	16	20	328
30	14	20	430

10 MHz Master

Radar Type 4			
Trial #	Number Pulses per Burst	Pulse Width (μ s)	PRI (μ s)
1	16	11	206
2	15	11.4	363
3	15	11.6	238
4	12	12	283
5	16	12.4	308
6	14	12.5	333
7	15	12.7	204
8	13	12.7	305
9	12	13.3	366
10	12	14.1	298
11	14	14.2	255
12	14	14.8	333
13	14	15	265
14	14	15	463
15	16	15.1	275
16	16	15.1	476
17	16	15.3	238
18	16	16.2	417
19	16	16.3	289
20	15	16.4	400
21	12	16.9	294
22	16	17	295
23	15	17.5	264
24	14	17.8	324
25	13	18	493
26	12	18.2	423
27	13	18.4	407
28	13	18.8	339
29	12	19.2	203
30	13	19.8	310

20 MHz Master

Radar Type 4			
Trial #	Number Pulses per Burst	Pulse Width (μ s)	PRI (μ s)
1	15	11.4	478
2	15	11.5	319
3	15	11.5	494
4	14	11.6	359
5	15	12	313
6	16	12.2	309
7	12	12.2	344
8	13	12.6	299
9	13	12.7	447
10	16	12.9	403
11	13	13.5	416
12	16	13.7	314
13	13	14.3	298
14	16	14.3	319
15	14	14.4	286
16	14	14.8	389
17	14	15.9	213
18	14	15.9	336
19	14	16.2	284
20	16	16.8	302
21	15	16.8	344
22	12	17.4	407
23	14	17.7	266
24	16	18.1	299
25	14	18.1	332
26	15	18.3	342
27	16	18.3	356
28	12	19	468
29	12	19.6	246
30	12	20	273

Appendix 9. Statistical Performance Check– Radar Type 5 Trial Records**5 MHz Master – Trial 1**

Burst Segment	Number of Pulses	Pulse Width (µs)	Chirp Width (MHz)	Pulse 1-to-2 Spacing (µs)	Pulse 2-to-3 Spacing (µs)	Starting Location Within Interval (µs)
1	3	96	10	1516	1873	231694
2	3	99	19	1460	1195	1056858
3	1	98	7	-	-	100164
4	3	67	9	1878	1246	730677
5	3	87	15	1794	1524	322032
6	2	94	5	1607	-	140982
7	2	50	12	1872	-	310509
8	1	96	8	-	-	923371
9	2	74	13	1721	-	432245

5 MHz Master - Trial 2

Burst Segment	Number of Pulses	Pulse Width (µs)	Chirp Width (MHz)	Pulse 1-to-2 Spacing (µs)	Pulse 2-to-3 Spacing (µs)	Starting Location Within Interval (µs)
1	2	95	10	1182	-	605462
2	1	91	7	-	-	144660
3	2	99	6	1464	-	440903
4	2	50	13	1544	-	515261
5	2	98	15	1055	-	477990
6	1	67	16	-	-	465664
7	1	62	8	-	-	627815
8	2	97	18	1530	-	383934
9	3	95	17	1700	1779	220222
10	1	62	8	-	-	265160
11	2	62	13	1865	-	692086
12	1	92	16	-	-	575843
13	3	87	8	1383	1499	146692
14	1	98	11	-	-	107210
15	2	81	17	1749	-	376935
16	3	85	19	1622	983	264819

5 MHz Master - Trial 3

Burst Segment	Number of Pulses	Pulse Width (µs)	Chirp Width (MHz)	Pulse 1-to-2 Spacing (µs)	Pulse 2-to-3 Spacing (µs)	Starting Location Within Interval (µs)
1	2	92	20	980	-	256305
2	2	65	9	1666	-	487045
3	1	52	19	-	-	523786
4	2	71	8	1527	-	496998
5	2	96	6	1584	-	484079
6	3	70	5	1022	1153	148554
7	1	83	11	-	-	595249
8	2	70	12	1444	-	539570
9	2	82	6	1330	-	531233
10	2	86	20	1632	-	228240
11	1	83	6	-	-	213824
12	1	97	9	-	-	103326
13	1	59	20	-	-	299916
14	1	53	13	-	-	409965
15	2	82	20	1362	-	62163
16	3	85	17	1011	1609	538989
17	3	94	9	1075	1371	203701
18	3	98	13	911	1245	264451

5 MHz Master - Trial 4

Burst Segment	Number of Pulses	Pulse Width (µs)	Chirp Width (MHz)	Pulse 1-to-2 Spacing (µs)	Pulse 2-to-3 Spacing (µs)	Starting Location Within Interval (µs)
1	1	62	8	-	-	190673
2	3	60	11	968	1846	109636
3	3	53	20	1221	1197	204643
4	3	66	8	1256	1056	344958
5	1	98	5	-	-	308185
6	1	73	7	-	-	568095
7	2	60	8	976	-	225628
8	3	86	11	1869	1809	158425
9	3	90	16	1340	1015	310048
10	1	75	14	-	-	361258
11	3	56	6	1781	1434	577891
12	1	64	10	-	-	34885
13	3	95	20	1483	1585	488599
14	3	95	11	1536	1475	219198
15	1	52	10	-	-	470910
16	2	76	19	1919	-	66223
17	3	77	10	1842	1002	100888
18	1	95	19	-	-	260425
19	1	82	18	-	-	184395
20	3	92	6	1658	1194	363588

5 MHz Master - Trial 5

Burst Segment	Number of Pulses	Pulse Width (µs)	Chirp Width (MHz)	Pulse 1-to-2 Spacing (µs)	Pulse 2-to-3 Spacing (µs)	Starting Location Within Interval (µs)
1	1	99	5	-	-	427023
2	3	51	12	1654	1341	1007367
3	2	66	20	1923	-	490979
4	2	83	14	1567	-	946416
5	1	76	8	-	-	631173
6	3	75	16	1378	1876	608577
7	3	82	11	1895	1789	746124
8	1	80	9	-	-	198454
9	3	59	12	1618	1668	414143

5 MHz Master - Trial 6

Burst Segment	Number of Pulses	Pulse Width (μ s)	Chirp Width (MHz)	Pulse 1-to-2 Spacing (μ s)	Pulse 2-to-3 Spacing (μ s)	Starting Location Within Interval (μ s)
1	1	76	8	-	-	290235
2	1	82	19	-	-	78343
3	2	89	13	1500	-	186533
4	1	52	17	-	-	589862
5	3	87	20	1885	1031	507469
6	1	53	9	-	-	316424
7	1	92	5	-	-	328597
8	3	71	14	1359	1866	458900
9	3	81	20	1406	1771	180581
10	3	88	5	1907	1790	410709
11	2	78	16	1914	-	234751
12	3	60	16	1860	1338	527692
13	1	95	9	-	-	351200
14	1	91	7	-	-	437441
15	3	55	5	1881	1311	462252
16	2	56	18	961	-	345060
17	1	66	14	-	-	224873
18	2	73	18	1682	-	29944
19	3	61	8	1751	1539	490532

5 MHz Master - Trial 7

Burst Segment	Number of Pulses	Pulse Width (μ s)	Chirp Width (MHz)	Pulse 1-to-2 Spacing (μ s)	Pulse 2-to-3 Spacing (μ s)	Starting Location Within Interval (μ s)
1	2	78	16	1461	-	593270
2	3	65	5	1480	1340	389962
3	1	63	19	-	-	504531
4	2	85	10	1260	-	331092
5	2	77	19	1008	-	265082
6	1	56	5	-	-	387374
7	3	60	10	1525	1813	535217
8	2	55	12	1551	-	132918
9	1	79	17	-	-	627626
10	3	75	12	1051	1812	539080
11	2	72	9	1183	-	221855
12	1	83	15	-	-	74717
13	3	86	9	1336	1578	121680
14	1	87	11	-	-	43804
15	1	63	8	-	-	484043
16	1	76	19	-	-	455271
17	3	62	19	1497	1933	76028
18	3	67	17	1013	1262	327236
19	3	96	12	1264	1625	307889

5 MHz Master - Trial 8

Burst Segment	Number of Pulses	Pulse Width (µs)	Chirp Width (MHz)	Pulse 1-to-2 Spacing (µs)	Pulse 2-to-3 Spacing (µs)	Starting Location Within Interval (µs)
1	1	57	17	-	-	398877
2	3	55	5	1596	1531	227978
3	3	56	16	1372	1290	532101
4	2	60	10	1667	-	122182
5	2	66	11	1138	-	288342
6	3	64	10	1754	1788	31910
7	2	90	17	1484	-	72157
8	3	57	12	1881	1413	119035
9	1	55	20	-	-	414188
10	1	72	7	-	-	31249
11	1	70	17	-	-	384262
12	2	92	11	1269	-	252782
13	1	89	10	-	-	542299
14	2	81	12	1867	-	472067
15	3	83	16	976	1799	554477
16	3	75	9	1246	1169	578353
17	3	93	7	1681	1603	456682

5 MHz Master - Trial 9

Burst Segment	Number of Pulses	Pulse Width (µs)	Chirp Width (MHz)	Pulse 1-to-2 Spacing (µs)	Pulse 2-to-3 Spacing (µs)	Starting Location Within Interval (µs)
1	1	63	16	-	-	456757
2	1	90	8	-	-	104608
3	1	70	13	-	-	298317
4	2	82	11	1584	-	310091
5	1	54	13	-	-	615369
6	3	50	13	1007	1066	337610
7	2	97	7	1898	-	489233
8	3	80	16	1332	947	585723
9	2	63	16	1560	-	346938
10	1	88	18	-	-	480924
11	1	67	7	-	-	437756
12	2	80	7	1827	-	257546
13	1	61	15	-	-	122285
14	1	86	8	-	-	12280
15	2	89	12	1799	-	592919
16	1	82	13	-	-	553938
17	3	92	10	1198	1815	488793
18	1	68	10	-	-	80660
19	3	72	13	1106	1769	433121

5 MHz Master - Trial 10

Burst Segment	Number of Pulses	Pulse Width (µs)	Chirp Width (MHz)	Pulse 1-to-2 Spacing (µs)	Pulse 2-to-3 Spacing (µs)	Starting Location Within Interval (µs)
1	1	91	9	-	-	256254
2	1	99	11	-	-	579595
3	3	100	10	1775	1141	372258
4	2	56	14	1718	-	339943
5	2	56	10	1382	-	497135
6	3	95	14	1399	1485	956518
7	2	83	8	1571	-	928709
8	3	65	15	1738	1786	1051973
9	3	61	17	1795	1420	121173
10	3	60	9	1877	1345	574332
11	1	58	17	-	-	406359

5 MHz Master - Trial 11

Burst Segment	Number of Pulses	Pulse Width (μ s)	Chirp Width (MHz)	Pulse 1-to-2 Spacing (μ s)	Pulse 2-to-3 Spacing (μ s)	Starting Location Within Interval (μ s)
1	2	56	11	1834	-	632471
2	3	69	16	1607	1519	324749
3	3	92	20	1879	1370	389760
4	2	56	15	1545	-	238299
5	3	90	9	1182	1853	124074
6	1	53	12	-	-	30961
7	2	74	8	1605	-	307890
8	1	91	11	-	-	271467
9	1	91	13	-	-	197246
10	2	74	20	1360	-	44245
11	2	91	15	1640	-	138610
12	1	67	14	-	-	399696
13	3	94	8	1478	1518	69262
14	2	63	10	1639	-	194506
15	3	75	13	1652	1159	294762
16	2	63	13	1737	-	532557
17	3	88	5	1430	1585	247737
18	3	64	8	1276	1813	317386

5 MHz Master - Trial 12

Burst Segment	Number of Pulses	Pulse Width (μ s)	Chirp Width (MHz)	Pulse 1-to-2 Spacing (μ s)	Pulse 2-to-3 Spacing (μ s)	Starting Location Within Interval (μ s)
1	2	60	14	1132	-	557993
2	3	61	6	1225	1080	90457
3	1	63	20	-	-	662338
4	3	74	6	1007	1726	1168315
5	3	72	13	1021	1359	92732
6	2	53	12	1900	-	162084
7	1	71	8	-	-	39288
8	3	68	18	1585	1500	904881
9	3	81	20	1401	1333	568441

5 MHz Master - Trial 13

Burst Segment	Number of Pulses	Pulse Width (µs)	Chirp Width (MHz)	Pulse 1-to-2 Spacing (µs)	Pulse 2-to-3 Spacing (µs)	Starting Location Within Interval (µs)
1	2	86	9	1710	-	812822
2	1	81	17	-	-	88390
3	1	100	17	-	-	837913
4	1	90	8	-	-	1135383
5	1	92	17	-	-	560728
6	3	56	8	1372	1176	236875
7	1	92	13	-	-	733630
8	1	82	9	-	-	671460
9	3	85	10	1268	1087	671314
10	1	90	9	-	-	1027255

5 MHz Master - Trial 14

Burst Segment	Number of Pulses	Pulse Width (µs)	Chirp Width (MHz)	Pulse 1-to-2 Spacing (µs)	Pulse 2-to-3 Spacing (µs)	Starting Location Within Interval (µs)
1	3	82	19	1342	964	299999
2	2	84	17	1524	-	379222
3	1	68	12	-	-	33165
4	2	96	13	1392	-	611152
5	1	69	12	-	-	14559
6	2	81	15	1583	-	124591
7	1	56	18	-	-	237651
8	2	68	14	1297	-	260368
9	2	56	12	1918	-	343647
10	3	58	15	1901	1849	75280
11	1	68	8	-	-	488750
12	3	87	12	1057	1768	581147
13	2	92	19	1379	-	357132
14	2	87	15	1722	-	51885
15	2	50	13	1031	-	222828
16	2	58	18	1479	-	539322
17	3	83	16	1461	938	527200
18	3	54	12	1777	1833	264465
19	2	74	5	1236	-	331956

5 MHz Master - Trial 15

Burst Segment	Number of Pulses	Pulse Width (μ s)	Chirp Width (MHz)	Pulse 1-to-2 Spacing (μ s)	Pulse 2-to-3 Spacing (μ s)	Starting Location Within Interval (μ s)
1	3	73	11	930	1076	704982
2	2	58	18	1091	-	359916
3	2	78	15	1529	-	853878
4	1	88	6	-	-	316515
5	2	87	14	1568	-	140777
6	3	59	6	1449	957	29858
7	1	50	15	-	-	743330
8	1	71	18	-	-	438965
9	3	96	18	1893	1644	568596
10	1	63	9	-	-	697574
11	2	70	9	1160	-	134749
12	1	62	18	-	-	661007
13	3	58	15	1509	1592	711143
14	1	69	10	-	-	768859

5 MHz Master - Trial 16

Burst Segment	Number of Pulses	Pulse Width (μ s)	Chirp Width (MHz)	Pulse 1-to-2 Spacing (μ s)	Pulse 2-to-3 Spacing (μ s)	Starting Location Within Interval (μ s)
1	2	78	8	1173	-	112010
2	2	79	16	1781	-	695578
3	1	86	20	-	-	177843
4	3	81	17	1733	1765	429370
5	2	60	15	1940	-	239810
6	1	67	8	-	-	109844
7	2	64	17	1307	-	346773
8	1	98	7	-	-	22199
9	1	85	12	-	-	360133
10	1	89	17	-	-	325823
11	3	66	15	1155	1296	396152
12	2	64	7	1260	-	640084
13	1	96	18	-	-	80294
14	2	79	8	1620	-	175256
15	2	72	20	977	-	319006
16	3	87	7	1057	1019	144610
17	3	59	19	1545	970	393054

5 MHz Master - Trial 17

Burst Segment	Number of Pulses	Pulse Width (μ s)	Chirp Width (MHz)	Pulse 1-to-2 Spacing (μ s)	Pulse 2-to-3 Spacing (μ s)	Starting Location Within Interval (μ s)
1	1	87	9	-	-	51552
2	2	98	5	1815	-	72060
3	1	79	6	-	-	555371
4	3	54	13	1069	1186	205077
5	2	89	15	1732	-	215709
6	1	52	6	-	-	19505
7	1	51	9	-	-	50661
8	3	83	20	1890	1892	150412
9	1	50	5	-	-	323736
10	2	77	13	970	-	108334
11	2	90	15	1666	-	217116
12	3	98	7	1524	1808	544912
13	3	65	18	939	1793	52924
14	3	75	9	1201	1727	66932
15	2	94	7	1234	-	355144
16	1	52	9	-	-	479895
17	1	93	15	-	-	144564
18	2	64	19	1334	-	514359
19	2	67	6	993	-	184447
20	3	59	5	1623	1452	356607

5 MHz Master - Trial 18

Burst Segment	Number of Pulses	Pulse Width (μ s)	Chirp Width (MHz)	Pulse 1-to-2 Spacing (μ s)	Pulse 2-to-3 Spacing (μ s)	Starting Location Within Interval (μ s)
1	3	96	15	1584	950	1324720
2	1	68	10	-	-	1406749
3	2	81	6	1770	-	669180
4	1	88	11	-	-	1218723
5	1	55	11	-	-	1189034
6	2	52	13	1511	-	511936
7	1	79	13	-	-	795979
8	3	87	10	1868	964	840639

5 MHz Master - Trial 19

Burst Segment	Number of Pulses	Pulse Width (µs)	Chirp Width (MHz)	Pulse 1-to-2 Spacing (µs)	Pulse 2-to-3 Spacing (µs)	Starting Location Within Interval (µs)
1	2	84	5	1416	-	544518
2	3	72	20	1385	1278	23014
3	1	62	16	-	-	557695
4	3	67	6	1110	1568	521395
5	1	95	8	-	-	774730
6	2	52	19	1321	-	520578
7	2	55	8	1002	-	420764
8	2	53	19	1194	-	687434
9	2	79	6	1913	-	127076
10	2	65	18	1062	-	782661
11	3	92	18	1835	1762	69174
12	3	92	16	1062	1625	506922

5 MHz Master - Trial 20

Burst Segment	Number of Pulses	Pulse Width (µs)	Chirp Width (MHz)	Pulse 1-to-2 Spacing (µs)	Pulse 2-to-3 Spacing (µs)	Starting Location Within Interval (µs)
1	3	93	19	950	1096	221322
2	1	95	11	-	-	691810
3	2	51	20	1165	-	711917
4	1	72	6	-	-	174131
5	3	80	13	1571	1149	218863
6	1	67	14	-	-	184837
7	1	54	20	-	-	73033
8	1	58	7	-	-	165712
9	1	55	13	-	-	747090
10	3	79	20	1305	1814	723175
11	3	95	17	1195	967	398187
12	3	100	11	1106	1591	612800
13	3	97	14	1566	1118	615219
14	2	98	20	948	-	604548
15	3	57	20	1606	1818	557521

5 MHz Master - Trial 21

Burst Segment	Number of Pulses	Pulse Width (µs)	Chirp Width (MHz)	Pulse 1-to-2 Spacing (µs)	Pulse 2-to-3 Spacing (µs)	Starting Location Within Interval (µs)
1	3	93	11	1203	1405	399934
2	2	96	5	1376	-	234531
3	1	89	19	-	-	309595
4	2	56	15	1255	-	136017
5	2	60	18	1889	-	577256
6	3	57	19	1094	1023	499752
7	3	64	12	1469	1783	230599
8	3	71	20	1112	1234	443122
9	1	78	19	-	-	168391
10	3	68	14	1790	966	336562
11	2	80	12	1898	-	259249
12	1	85	13	-	-	361147
13	3	98	15	1470	1639	190176
14	2	84	7	1351	-	120698
15	2	52	5	1411	-	491365
16	2	52	13	1264	-	311513
17	2	61	17	1199	-	485354
18	3	53	18	1900	1305	438940
19	2	79	13	1714	-	245052
20	3	59	20	1375	1629	280671

5 MHz Master - Trial 22

Burst Segment	Number of Pulses	Pulse Width (µs)	Chirp Width (MHz)	Pulse 1-to-2 Spacing (µs)	Pulse 2-to-3 Spacing (µs)	Starting Location Within Interval (µs)
1	3	60	11	1484	944	144313
2	1	64	7	-	-	193170
3	1	61	16	-	-	769981
4	1	97	12	-	-	304755
5	3	59	6	1407	1872	426212
6	2	84	11	1329	-	789363
7	2	94	18	975	-	737554
8	3	52	11	1253	1007	655495
9	3	53	14	1165	1446	301145
10	1	79	15	-	-	240525
11	2	55	19	1227	-	319729
12	2	63	20	972	-	307839
13	3	81	11	1520	1246	229243

5 MHz Master - Trial 23

Burst Segment	Number of Pulses	Pulse Width (µs)	Chirp Width (MHz)	Pulse 1-to-2 Spacing (µs)	Pulse 2-to-3 Spacing (µs)	Starting Location Within Interval (µs)
1	3	94	9	1449	1071	359866
2	1	63	5	-	-	1193938
3	3	99	7	1506	1737	979180
4	2	53	17	1893	-	1048231
5	2	80	17	1337	-	358169
6	3	99	9	1540	1871	1184540
7	1	59	7	-	-	947282
8	2	86	10	1748	-	1063016
9	1	67	12	-	-	748540

5 MHz Master - Trial 24

Burst Segment	Number of Pulses	Pulse Width (μ s)	Chirp Width (MHz)	Pulse 1-to-2 Spacing (μ s)	Pulse 2-to-3 Spacing (μ s)	Starting Location Within Interval (μ s)
1	3	87	19	1800	1749	790622
2	2	65	10	1408	-	393257
3	2	56	19	1489	-	183165
4	3	68	19	1754	1646	4138
5	2	56	9	1823	-	1116806
6	3	57	17	1055	1074	329481
7	2	71	20	985	-	609383
8	3	72	10	1875	1744	998213

5 MHz Master - Trial 25

Burst Segment	Number of Pulses	Pulse Width (μ s)	Chirp Width (MHz)	Pulse 1-to-2 Spacing (μ s)	Pulse 2-to-3 Spacing (μ s)	Starting Location Within Interval (μ s)
1	3	80	11	1209	1596	30421
2	3	77	16	1209	1776	243300
3	3	79	20	1704	1526	144364
4	2	68	7	1182	-	654332
5	2	77	6	1494	-	520073
6	2	74	17	1112	-	735093
7	3	68	9	1247	1588	433072
8	3	57	14	1423	1072	516580
9	3	63	18	1783	1595	677148
10	3	61	9	1256	1644	810566
11	3	87	14	1375	1322	55851
12	1	76	15	-	-	431094
13	1	61	15	-	-	432156

5 MHz Master - Trial 26

Burst Segment	Number of Pulses	Pulse Width (μ s)	Chirp Width (MHz)	Pulse 1-to-2 Spacing (μ s)	Pulse 2-to-3 Spacing (μ s)	Starting Location Within Interval (μ s)
1	3	92	8	1453	1678	346150
2	3	91	17	1650	1628	492842
3	3	99	20	1392	1261	388680
4	2	68	19	1792	-	168416
5	3	76	8	1535	1820	158146
6	1	81	7	-	-	114051
7	3	55	11	1029	1717	558322
8	1	51	19	-	-	490755
9	3	85	8	1430	1455	423546
10	3	88	14	1174	1013	20324
11	3	78	12	941	1471	579054
12	1	78	15	-	-	77796
13	2	82	20	1794	-	339616
14	2	79	16	1027	-	203126
15	3	52	13	986	1239	421741
16	1	59	9	-	-	251200
17	1	96	6	-	-	451933
18	1	92	14	-	-	451538
19	2	66	5	1308	-	114143
20	2	57	14	1502	-	397634

5 MHz Master - Trial 27

Burst Segment	Number of Pulses	Pulse Width (μ s)	Chirp Width (MHz)	Pulse 1-to-2 Spacing (μ s)	Pulse 2-to-3 Spacing (μ s)	Starting Location Within Interval (μ s)
1	2	58	18	1098	-	1015886
2	1	90	5	-	-	605061
3	3	93	19	1747	1168	277456
4	1	81	13	-	-	271019
5	2	87	18	1749	-	438972
6	3	67	14	1785	1903	1182666
7	3	57	11	987	1663	345926
8	1	88	10	-	-	945665
9	2	92	7	932	-	723496

5 MHz Master - Trial 28

Burst Segment	Number of Pulses	Pulse Width (µs)	Chirp Width (MHz)	Pulse 1-to-2 Spacing (µs)	Pulse 2-to-3 Spacing (µs)	Starting Location Within Interval (µs)
1	1	55	20	-	-	465031
2	2	52	10	1013	-	370142
3	3	66	13	1316	1359	394422
4	3	51	14	984	1645	453281
5	3	77	20	1822	1792	204264
6	2	55	19	1622	-	747383
7	3	67	7	1435	1802	427910
8	2	82	17	1259	-	592290
9	3	97	15	1279	1804	258134
10	2	90	14	1899	-	780020
11	3	68	14	965	1537	601460
12	3	93	20	1396	984	471356
13	3	52	8	1875	1012	520490

5 MHz Master - Trial 29

Burst Segment	Number of Pulses	Pulse Width (µs)	Chirp Width (MHz)	Pulse 1-to-2 Spacing (µs)	Pulse 2-to-3 Spacing (µs)	Starting Location Within Interval (µs)
1	2	96	7	1057	-	691215
2	1	61	12	-	-	385652
3	1	77	6	-	-	123889
4	3	97	11	1714	1834	999519
5	3	86	18	1845	1296	184247
6	3	71	19	1265	1581	424164
7	2	61	11	1534	-	1129273
8	3	60	20	961	1313	192934
9	2	83	11	1289	-	1167788
10	3	90	15	1348	1906	273417

5 MHz Master - Trial 30

Burst Segment	Number of Pulses	Pulse Width (μ s)	Chirp Width (MHz)	Pulse 1-to-2 Spacing (μ s)	Pulse 2-to-3 Spacing (μ s)	Starting Location Within Interval (μ s)
1	2	79	20	1691	-	703416
2	3	79	9	1077	1590	603814
3	1	95	16	-	-	160383
4	3	81	14	1856	1733	341885
5	2	65	9	1907	-	550189
6	3	87	7	1611	1126	252386
7	1	76	19	-	-	11662
8	3	50	8	1255	1384	49104
9	1	92	17	-	-	252223
10	2	62	12	1738	-	18152
11	3	53	11	1166	1878	190597
12	3	90	8	1686	1763	119791
13	2	73	12	1714	-	254008
14	3	60	5	1534	1324	443218
15	2	71	13	1399	-	347103
16	2	65	15	1208	-	234572
17	3	68	9	1784	1238	677108

10 MHz Master - Trial 1

Burst Segment	Number of Pulses	Pulse Width (μ s)	Chirp Width (MHz)	Pulse 1-to-2 Spacing (μ s)	Pulse 2-to-3 Spacing (μ s)	Starting Location Within Interval (μ s)
1	1	77	6	-	-	106822
2	2	87	14	1263	-	699619
3	2	64	20	965	-	490884
4	3	87	11	1369	1688	342705
5	2	99	16	1440	-	40093
6	2	85	10	1640	-	266325
7	3	79	11	1464	974	243236
8	2	89	9	1756	-	112419
9	2	77	13	1562	-	661515
10	2	82	14	1432	-	327353
11	3	84	6	1915	1254	589521
12	2	54	20	977	-	193273
13	2	79	16	1617	-	440488
14	2	80	13	1308	-	490705
15	1	97	9	-	-	127210
16	2	60	19	1109	-	83490

10 MHz Master - Trial 2

Burst Segment	Number of Pulses	Pulse Width (μ s)	Chirp Width (MHz)	Pulse 1-to-2 Spacing (μ s)	Pulse 2-to-3 Spacing (μ s)	Starting Location Within Interval (μ s)
1	3	60	19	1063	1852	423620
2	2	86	13	1694	-	1028925
3	1	91	19	-	-	1239124
4	3	90	20	1205	1859	61427
5	1	56	17	-	-	826195
6	3	90	18	1822	1495	1003591
7	3	94	20	1458	1321	988129
8	2	89	9	1853	-	1329587

10 MHz Master - Trial 3

Burst Segment	Number of Pulses	Pulse Width (µs)	Chirp Width (MHz)	Pulse 1-to-2 Spacing (µs)	Pulse 2-to-3 Spacing (µs)	Starting Location Within Interval (µs)
1	2	99	18	1017	-	249384
2	2	73	11	1884	-	522746
3	1	51	14	-	-	50656
4	1	79	7	-	-	293905
5	3	90	20	1018	1678	259920
6	3	67	11	1236	1107	94880
7	3	50	7	1047	1467	485690
8	3	81	11	1404	1367	105803
9	3	52	16	1896	1881	197213
10	2	52	14	1764	-	134912
11	1	51	13	-	-	120761
12	2	63	6	1870	-	96040
13	1	90	19	-	-	93714
14	3	76	14	1247	1800	328935
15	1	61	10	-	-	464220
16	2	86	16	1812	-	243634
17	1	89	6	-	-	328819
18	1	89	6	-	-	36134
19	1	81	9	-	-	210737
20	1	78	9	-	-	566156

10 MHz Master - Trial 4

Burst Segment	Number of Pulses	Pulse Width (µs)	Chirp Width (MHz)	Pulse 1-to-2 Spacing (µs)	Pulse 2-to-3 Spacing (µs)	Starting Location Within Interval (µs)
1	1	78	6	-	-	259040
2	3	60	7	999	1643	625223
3	3	63	6	1416	1631	234346
4	3	93	11	1016	1157	447165
5	2	90	12	1460	-	448399
6	2	60	18	1619	-	41732
7	3	74	13	1097	1745	626758
8	1	79	20	-	-	308584
9	2	90	10	1707	-	574234
10	1	79	20	-	-	398359
11	3	96	18	1570	1354	112512
12	1	98	8	-	-	308131
13	2	93	19	1222	-	418819
14	2	81	19	1442	-	349152
15	3	77	17	1083	1684	150530
16	2	73	15	1566	-	364668
17	1	61	7	-	-	618306
18	1	100	18	-	-	70718
19	3	77	5	1026	1014	235031

10 MHz Master - Trial 5

Burst Segment	Number of Pulses	Pulse Width (µs)	Chirp Width (MHz)	Pulse 1-to-2 Spacing (µs)	Pulse 2-to-3 Spacing (µs)	Starting Location Within Interval (µs)
1	2	74	15	1289	-	213904
2	1	53	11	-	-	719066
3	1	55	15	-	-	678613
4	1	80	18	-	-	212057
5	2	96	13	1542	-	528844
6	2	75	11	1739	-	602375
7	2	50	14	1383	-	530969
8	3	56	15	1061	1733	225744
9	2	68	20	1730	-	167320
10	3	52	10	1856	1850	299271
11	3	89	13	1094	1723	740411
12	3	56	7	1870	1416	306442
13	2	70	10	1661	-	296482
14	3	89	13	1385	939	732901
15	1	77	14	-	-	630163
16	2	76	12	1039	-	677907

10 MHz Master - Trial 6

Burst Segment	Number of Pulses	Pulse Width (μ s)	Chirp Width (MHz)	Pulse 1-to-2 Spacing (μ s)	Pulse 2-to-3 Spacing (μ s)	Starting Location Within Interval (μ s)
1	1	64	18	-	-	571205
2	2	99	7	1683	-	618507
3	2	69	19	1884	-	265664
4	2	95	6	1563	-	274230
5	1	67	19	-	-	437185
6	3	65	15	1137	1086	246757
7	2	86	17	1481	-	319348
8	2	55	12	1771	-	547691
9	3	82	17	1410	1326	379797
10	2	80	7	1372	-	375098
11	2	90	15	1680	-	349332
12	1	80	6	-	-	377837
13	3	89	20	1301	1279	568879
14	2	65	12	955	-	172737
15	2	63	17	1461	-	316935
16	2	72	9	1109	-	607699
17	1	50	16	-	-	503234
18	1	97	7	-	-	503278
19	3	60	13	1348	1168	616584

10 MHz Master - Trial 7

Burst Segment	Number of Pulses	Pulse Width (μ s)	Chirp Width (MHz)	Pulse 1-to-2 Spacing (μ s)	Pulse 2-to-3 Spacing (μ s)	Starting Location Within Interval (μ s)
1	2	69	6	1434	-	51380
2	1	57	7	-	-	236805
3	1	59	5	-	-	207902
4	1	99	17	-	-	422926
5	3	82	18	1676	1208	788878
6	1	100	11	-	-	688008
7	2	91	17	909	-	41426
8	3	69	18	1128	1243	1040241
9	1	97	19	-	-	1131373

10 MHz Master - Trial 8

Burst Segment	Number of Pulses	Pulse Width (µs)	Chirp Width (MHz)	Pulse 1-to-2 Spacing (µs)	Pulse 2-to-3 Spacing (µs)	Starting Location Within Interval (µs)
1	2	50	19	1926	-	453126
2	3	72	8	1447	1522	115623
3	2	67	17	1866	-	445189
4	2	76	15	1268	-	356481
5	1	57	8	-	-	660783
6	2	89	12	1447	-	638666
7	3	98	19	1671	1886	162116
8	1	73	20	-	-	444118
9	2	78	12	1359	-	574922
10	1	75	11	-	-	325416
11	1	77	11	-	-	208966
12	2	55	11	1800	-	613759
13	1	56	8	-	-	837194
14	2	89	19	1098	-	403244

10 MHz Master - Trial 9

Burst Segment	Number of Pulses	Pulse Width (µs)	Chirp Width (MHz)	Pulse 1-to-2 Spacing (µs)	Pulse 2-to-3 Spacing (µs)	Starting Location Within Interval (µs)
1	3	87	12	1058	1440	107815
2	3	93	16	1616	1434	610757
3	3	68	6	1206	1139	220998
4	3	70	15	1490	1265	277545
5	1	93	10	-	-	331245
6	3	86	13	1398	1447	737490
7	2	82	17	1312	-	714815
8	1	78	9	-	-	574467
9	1	59	12	-	-	180872
10	3	95	11	1470	1522	385277
11	1	96	8	-	-	325764
12	1	95	15	-	-	650165
13	2	98	20	1067	-	33936
14	1	99	17	-	-	350321
15	2	91	11	1505	-	681063

10 MHz Master - Trial 10

Burst Segment	Number of Pulses	Pulse Width (μ s)	Chirp Width (MHz)	Pulse 1-to-2 Spacing (μ s)	Pulse 2-to-3 Spacing (μ s)	Starting Location Within Interval (μ s)
1	3	59	7	1759	1578	457170
2	2	76	7	1850	-	715
3	2	50	10	1180	-	645121
4	2	61	9	951	-	283735
5	3	100	7	1104	1154	54497
6	2	96	17	1139	-	818652
7	1	76	11	-	-	201314
8	3	53	5	1262	973	392998
9	3	62	5	1705	1905	374007
10	1	89	9	-	-	139467
11	1	92	6	-	-	110327
12	1	50	14	-	-	352941
13	2	52	14	1342	-	636447

10 MHz Master - Trial 11

Burst Segment	Number of Pulses	Pulse Width (μ s)	Chirp Width (MHz)	Pulse 1-to-2 Spacing (μ s)	Pulse 2-to-3 Spacing (μ s)	Starting Location Within Interval (μ s)
1	1	75	20	-	-	15661
2	3	72	8	1909	1915	1170951
3	3	87	6	1350	1200	867972
4	1	57	12	-	-	112265
5	2	69	11	1215	-	13046
6	3	73	15	1805	1905	1097038
7	2	77	19	1436	-	628243
8	2	60	5	1819	-	1262310
9	1	93	8	-	-	332449

10 MHz Master - Trial 12

Burst Segment	Number of Pulses	Pulse Width (µs)	Chirp Width (MHz)	Pulse 1-to-2 Spacing (µs)	Pulse 2-to-3 Spacing (µs)	Starting Location Within Interval (µs)
1	3	58	6	1728	1735	385939
2	3	80	13	1801	1006	573396
3	1	91	20	-	-	477807
4	1	50	5	-	-	353160
5	1	59	19	-	-	699151
6	1	53	7	-	-	482354
7	1	63	13	-	-	161191
8	1	77	5	-	-	243107
9	2	54	7	1319	-	432602
10	3	70	15	1316	1710	166003
11	1	96	11	-	-	186027
12	3	58	18	1216	1667	214535
13	1	79	16	-	-	274424
14	2	73	9	1289	-	768339

10 MHz Master - Trial 13

Burst Segment	Number of Pulses	Pulse Width (µs)	Chirp Width (MHz)	Pulse 1-to-2 Spacing (µs)	Pulse 2-to-3 Spacing (µs)	Starting Location Within Interval (µs)
1	2	89	16	917	-	7768
2	3	84	19	1166	1689	218236
3	2	71	18	1855	-	491213
4	3	52	15	970	1145	200640
5	1	51	9	-	-	380600
6	2	52	6	1420	-	112174
7	1	74	7	-	-	551414
8	2	61	11	1145	-	16869
9	2	97	5	1856	-	717281
10	3	58	18	1337	1675	541287
11	1	85	18	-	-	329231
12	1	73	15	-	-	551554
13	2	68	15	1723	-	581782
14	2	51	20	1226	-	97046
15	2	72	10	1774	-	486534
16	2	63	8	1297	-	54998

10 MHz Master - Trial 14

Burst Segment	Number of Pulses	Pulse Width (µs)	Chirp Width (MHz)	Pulse 1-to-2 Spacing (µs)	Pulse 2-to-3 Spacing (µs)	Starting Location Within Interval (µs)
1	2	79	15	1304	-	688884
2	3	79	14	1626	1466	894939
3	2	83	16	1568	-	785624
4	1	62	10	-	-	864956
5	3	95	16	1809	1199	333897
6	2	51	10	1121	-	873043
7	1	79	10	-	-	146668
8	3	99	11	931	1577	405567
9	1	79	14	-	-	478708
10	3	86	7	1914	1602	116435
11	3	51	7	1464	1407	776168
12	3	54	11	1535	1489	256065
13	2	80	18	1899	-	308517

10 MHz Master - Trial 15

Burst Segment	Number of Pulses	Pulse Width (µs)	Chirp Width (MHz)	Pulse 1-to-2 Spacing (µs)	Pulse 2-to-3 Spacing (µs)	Starting Location Within Interval (µs)
1	3	94	16	1123	1560	395645
2	2	65	7	1320	-	332458
3	2	61	5	1586	-	36460
4	3	53	12	1745	1648	753131
5	1	66	15	-	-	69725
6	3	52	5	1936	1594	715682
7	2	80	7	1727	-	315061
8	3	69	15	1869	1076	549549
9	2	84	16	1288	-	402063
10	2	74	15	1729	-	425144
11	2	93	19	1571	-	329200
12	2	78	14	1449	-	216917
13	1	87	13	-	-	216692
14	2	95	18	1556	-	135967
15	3	91	18	1465	1165	675375

10 MHz Master - Trial 16

Burst Segment	Number of Pulses	Pulse Width (μs)	Chirp Width (MHz)	Pulse 1-to-2 Spacing (μs)	Pulse 2-to-3 Spacing (μs)	Starting Location Within Interval (μs)
1	3	86	11	1333	1469	254327
2	3	68	18	1685	1154	107151
3	3	60	17	981	1350	652988
4	2	82	7	1382	-	563178
5	2	90	18	1387	-	82301
6	3	84	9	1576	1733	571203
7	2	93	8	1014	-	536924
8	3	95	7	1334	1773	506217
9	3	84	20	1799	1681	336590
10	3	87	8	1405	1360	718849
11	3	82	16	1782	1651	477372
12	1	73	14	-	-	245410
13	1	77	20	-	-	628739
14	1	57	16	-	-	551642
15	1	51	19	-	-	693604
16	1	58	13	-	-	170398

10 MHz Master - Trial 17

Burst Segment	Number of Pulses	Pulse Width (µs)	Chirp Width (MHz)	Pulse 1-to-2 Spacing (µs)	Pulse 2-to-3 Spacing (µs)	Starting Location Within Interval (µs)
1	1	80	19	-	-	360075
2	1	60	19	-	-	246912
3	2	100	20	1062	-	306487
4	1	70	6	-	-	221474
5	2	71	19	1855	-	89061
6	2	51	12	1438	-	246356
7	1	94	13	-	-	331259
8	2	75	15	1867	-	512878
9	2	87	20	1248	-	41325
10	2	91	7	1645	-	342685
11	2	89	12	1721	-	434295
12	3	55	9	981	1020	48363
13	3	56	17	1746	1756	324746
14	3	72	14	1585	1763	192021
15	2	74	15	1433	-	46870
16	3	75	10	1292	1224	542036
17	3	82	14	975	1724	499545
18	1	60	15	-	-	519178
19	3	87	14	1073	1446	153433
20	3	94	16	1027	1822	392193

10 MHz Master - Trial 18

Burst Segment	Number of Pulses	Pulse Width (μs)	Chirp Width (MHz)	Pulse 1-to-2 Spacing (μs)	Pulse 2-to-3 Spacing (μs)	Starting Location Within Interval (μs)
1	3	66	6	1142	958	412206
2	2	88	16	1505	-	195561
3	3	58	8	1429	1084	560560
4	2	73	8	1384	-	708544
5	3	51	10	1495	1547	567486
6	2	83	7	1909	-	313863
7	1	83	16	-	-	666542
8	2	61	17	1043	-	107600
9	1	57	11	-	-	346091
10	2	52	11	1680	-	95671
11	3	73	12	1921	1094	545989
12	1	93	12	-	-	783918
13	3	65	5	1349	1155	409528

10 MHz Master - Trial 19

Burst Segment	Number of Pulses	Pulse Width (μ s)	Chirp Width (MHz)	Pulse 1-to-2 Spacing (μ s)	Pulse 2-to-3 Spacing (μ s)	Starting Location Within Interval (μ s)
1	2	88	11	1893	-	87319
2	3	54	10	1652	1531	381772
3	3	58	13	1164	1664	328438
4	2	77	19	1119	-	294727
5	1	84	17	-	-	446117
6	3	59	18	943	1678	104097
7	3	70	12	1566	1242	73502
8	2	88	11	1566	-	275873
9	1	70	19	-	-	181647
10	1	85	14	-	-	305881
11	3	85	14	1691	979	373638
12	3	60	11	1733	1843	309061
13	3	93	12	948	1685	44624
14	2	70	11	1747	-	458343
15	2	77	5	1048	-	157930
16	3	72	14	1415	1176	294341
17	3	74	10	1548	1344	5728
18	2	96	8	1875	-	283445
19	1	88	7	-	-	566156
20	3	76	8	1035	1088	49513

10 MHz Master - Trial 20

Burst Segment	Number of Pulses	Pulse Width (μ s)	Chirp Width (MHz)	Pulse 1-to-2 Spacing (μ s)	Pulse 2-to-3 Spacing (μ s)	Starting Location Within Interval (μ s)
1	3	53	8	980	1447	578349
2	2	99	7	1317	-	324042
3	1	55	20	-	-	816151
4	1	83	14	-	-	1013168
5	2	81	17	944	-	489314
6	1	99	10	-	-	32485
7	3	70	11	1014	1340	687549
8	2	64	11	1321	-	610744
9	1	79	8	-	-	950303
10	1	94	13	-	-	68968

10 MHz Master - Trial 21

Burst Segment	Number of Pulses	Pulse Width (μ s)	Chirp Width (MHz)	Pulse 1-to-2 Spacing (μ s)	Pulse 2-to-3 Spacing (μ s)	Starting Location Within Interval (μ s)
1	1	68	13	-	-	320800
2	1	78	13	-	-	77309
3	1	92	17	-	-	320144
4	1	65	5	-	-	468190
5	1	59	17	-	-	316601
6	2	69	17	1202	-	40286
7	3	98	10	906	1870	324379
8	3	96	10	1763	1450	499660
9	3	88	18	925	1341	148502
10	2	81	20	1839	-	155037
11	1	50	5	-	-	407025
12	3	77	13	1704	1528	172230
13	2	78	14	1114	-	74747
14	1	64	5	-	-	374816
15	3	73	13	1870	1126	251688
16	3	76	20	1063	1123	386758
17	1	92	16	-	-	102370
18	3	98	18	1882	1281	490072
19	1	97	13	-	-	223884
20	1	61	18	-	-	182723

10 MHz Master - Trial 22

Burst Segment	Number of Pulses	Pulse Width (μ s)	Chirp Width (MHz)	Pulse 1-to-2 Spacing (μ s)	Pulse 2-to-3 Spacing (μ s)	Starting Location Within Interval (μ s)
1	1	80	10	-	-	138004
2	3	85	6	1733	1171	947662
3	1	77	15	-	-	486472
4	2	69	16	1860	-	26222
5	1	56	11	-	-	66103
6	1	100	11	-	-	671755
7	2	92	8	1635	-	830951
8	3	99	19	958	1641	871216
9	3	74	19	1057	1534	224357
10	2	64	11	1471	-	1087456

10 MHz Master - Trial 23

Burst Segment	Number of Pulses	Pulse Width (µs)	Chirp Width (MHz)	Pulse 1-to-2 Spacing (µs)	Pulse 2-to-3 Spacing (µs)	Starting Location Within Interval (µs)
1	2	65	17	1107	-	26997
2	3	77	6	1055	1354	82046
3	3	100	5	965	1222	509252
4	3	75	14	1561	1912	27619
5	2	60	20	1748	-	518990
6	3	85	20	939	1401	495516
7	3	71	19	1447	1852	27160
8	2	82	14	1369	-	201148
9	1	57	14	-	-	73290
10	1	71	17	-	-	26608
11	1	68	13	-	-	152215
12	1	99	5	-	-	36886
13	3	61	11	1431	1051	112674
14	1	66	15	-	-	256377
15	2	88	12	974	-	684
16	2	80	8	1881	-	511743
17	1	88	18	-	-	166122
18	1	99	7	-	-	280833
19	1	58	15	-	-	332704
20	3	100	18	1311	1067	573272

10 MHz Master - Trial 24

Burst Segment	Number of Pulses	Pulse Width (µs)	Chirp Width (MHz)	Pulse 1-to-2 Spacing (µs)	Pulse 2-to-3 Spacing (µs)	Starting Location Within Interval (µs)
1	1	99	8	-	-	580084
2	2	54	5	1545	-	312447
3	2	55	15	983	-	3932
4	1	91	19	-	-	460267
5	1	66	7	-	-	30309
6	3	55	12	1729	1725	1051780
7	2	60	14	1164	-	761574
8	3	95	19	1900	1167	269925
9	1	58	11	-	-	1083112
10	1	55	13	-	-	726989

10 MHz Master - Trial 25

Burst Segment	Number of Pulses	Pulse Width (µs)	Chirp Width (MHz)	Pulse 1-to-2 Spacing (µs)	Pulse 2-to-3 Spacing (µs)	Starting Location Within Interval (µs)
1	3	58	19	969	957	515141
2	1	51	9	-	-	114482
3	1	92	10	-	-	104695
4	1	52	17	-	-	711793
5	1	52	6	-	-	252488
6	3	83	7	1885	1063	598510
7	1	79	5	-	-	761339
8	1	61	8	-	-	237883
9	1	78	8	-	-	791686
10	3	94	14	1758	1150	314244
11	3	51	8	1799	1287	169438
12	2	78	12	1285	-	270482
13	1	94	5	-	-	399067
14	2	96	16	1046	-	52529
15	2	54	19	1787	-	621538

10 MHz Master - Trial 26

Burst Segment	Number of Pulses	Pulse Width (µs)	Chirp Width (MHz)	Pulse 1-to-2 Spacing (µs)	Pulse 2-to-3 Spacing (µs)	Starting Location Within Interval (µs)
1	3	51	7	1186	1671	1165043
2	2	88	6	1022	-	608581
3	1	62	17	-	-	553118
4	2	89	18	1870	-	1409
5	3	58	12	1500	1896	1071865
6	3	59	16	1729	1046	482509
7	1	56	13	-	-	548592
8	2	60	15	1305	-	1028552
9	1	98	11	-	-	998576
10	2	72	10	1533	-	39398

10 MHz Master - Trial 27

Burst Segment	Number of Pulses	Pulse Width (µs)	Chirp Width (MHz)	Pulse 1-to-2 Spacing (µs)	Pulse 2-to-3 Spacing (µs)	Starting Location Within Interval (µs)
1	1	94	17	-	-	560952
2	2	77	14	1207	-	899739
3	1	62	5	-	-	336110
4	1	55	8	-	-	128287
5	1	50	8	-	-	621628
6	1	80	7	-	-	640742
7	1	55	16	-	-	343009
8	2	68	14	1640	-	526530
9	1	76	9	-	-	672160
10	1	96	17	-	-	1010176
11	3	55	14	1027	1590	417801

10 MHz Master - Trial 28

Burst Segment	Number of Pulses	Pulse Width (µs)	Chirp Width (MHz)	Pulse 1-to-2 Spacing (µs)	Pulse 2-to-3 Spacing (µs)	Starting Location Within Interval (µs)
1	2	66	6	1535	-	575517
2	3	95	9	1540	1832	218830
3	2	94	20	1286	-	639902
4	2	66	18	1928	-	410490
5	3	75	8	1014	1329	452777
6	2	75	13	1430	-	397058
7	3	100	19	1013	1157	684384
8	3	88	6	1145	1571	484531
9	3	74	20	1883	1362	135713
10	3	89	18	1301	1055	370408
11	3	93	13	1320	997	367136
12	3	55	11	1693	1668	610558
13	1	63	15	-	-	486617
14	2	53	19	1297	-	176894
15	3	77	14	1382	1611	661943
16	1	78	16	-	-	525074
17	1	93	10	-	-	199330

10 MHz Master - Trial 29

Burst Segment	Number of Pulses	Pulse Width (μ s)	Chirp Width (MHz)	Pulse 1-to-2 Spacing (μ s)	Pulse 2-to-3 Spacing (μ s)	Starting Location Within Interval (μ s)
1	2	74	15	1515	-	401760
2	2	63	20	1688	-	69219
3	3	58	13	1212	1285	685212
4	2	90	9	928	-	285681
5	3	98	11	1482	1400	507282
6	3	50	11	965	1691	905619
7	1	61	20	-	-	384322
8	1	96	16	-	-	503047
9	2	94	11	1730	-	711462
10	3	64	11	1936	1758	54901
11	1	63	6	-	-	521896
12	2	63	5	1875	-	915281
13	2	98	10	961	-	114372

10 MHz Master - Trial 30

Burst Segment	Number of Pulses	Pulse Width (μ s)	Chirp Width (MHz)	Pulse 1-to-2 Spacing (μ s)	Pulse 2-to-3 Spacing (μ s)	Starting Location Within Interval (μ s)
1	1	52	11	-	-	393693
2	1	94	14	-	-	568639
3	3	51	14	1529	1757	888058
4	1	64	5	-	-	687803
5	3	83	16	1070	1580	508801
6	1	64	20	-	-	854628
7	3	82	13	1242	1617	702261
8	2	62	20	1610	-	729868
9	1	75	17	-	-	450323
10	2	98	15	1103	-	234257

20 MHz Master - Trial 1

Burst Segment	Number of Pulses	Pulse Width (μ s)	Chirp Width (MHz)	Pulse 1-to-2 Spacing (μ s)	Pulse 2-to-3 Spacing (μ s)	Starting Location Within Interval (μ s)
1	1	57	13	-	-	625982
2	3	77	19	1630	1043	536715
3	2	84	12	973	-	713804
4	1	65	19	-	-	580630
5	2	88	11	1703	-	60993
6	1	59	5	-	-	19702
7	2	96	8	1316	-	520534
8	1	54	16	-	-	661516
9	3	58	13	991	950	634358
10	1	75	6	-	-	918526
11	3	76	8	981	1678	1032505

20 MHz Master - Trial 2

Burst Segment	Number of Pulses	Pulse Width (μ s)	Chirp Width (MHz)	Pulse 1-to-2 Spacing (μ s)	Pulse 2-to-3 Spacing (μ s)	Starting Location Within Interval (μ s)
1	2	93	10	1377	-	558159
2	2	75	18	1140	-	208391
3	1	54	8	-	-	456201
4	3	98	12	1426	1623	17009
5	1	88	18	-	-	594854
6	2	95	10	1049	-	492771
7	1	93	12	-	-	462854
8	1	76	8	-	-	335978
9	1	61	14	-	-	6474
10	1	90	10	-	-	944222
11	2	96	11	1824	-	563009
12	3	77	5	1855	961	757247

20 MHz Master - Trial 3

Burst Segment	Number of Pulses	Pulse Width (µs)	Chirp Width (MHz)	Pulse 1-to-2 Spacing (µs)	Pulse 2-to-3 Spacing (µs)	Starting Location Within Interval (µs)
1	3	96	15	1135	1269	217715
2	3	68	17	1561	996	558363
3	3	81	10	1214	1055	6329
4	1	98	12	-	-	390296
5	1	100	20	-	-	134781
6	3	74	10	1382	1457	57001
7	3	62	14	1164	1510	210853
8	2	92	18	928	-	108762
9	3	93	12	1111	1847	255587
10	1	95	19	-	-	555103
11	3	76	6	1681	1595	160925
12	1	72	12	-	-	18918
13	1	54	20	-	-	103879
14	2	52	6	1671	-	468268
15	2	64	7	1396	-	280682
16	2	56	13	964	-	592707
17	1	54	13	-	-	365771
18	1	98	16	-	-	275640
19	2	95	6	1407	-	234685
20	1	100	18	-	-	407219

20 MHz Master - Trial 4

Burst Segment	Number of Pulses	Pulse Width (μ s)	Chirp Width (MHz)	Pulse 1-to-2 Spacing (μ s)	Pulse 2-to-3 Spacing (μ s)	Starting Location Within Interval (μ s)
1	1	87	19	-	-	198206
2	2	55	13	1585	-	421094
3	1	82	11	-	-	338219
4	3	56	12	1389	1892	469687
5	2	90	8	1642	-	373204
6	2	91	16	1776	-	562646
7	3	74	14	1625	1179	146528
8	1	55	16	-	-	359122
9	2	52	13	1239	-	427084
10	3	54	10	1270	1328	595206
11	3	52	7	1138	1032	40314
12	1	65	15	-	-	437972
13	2	84	16	1781	-	368737
14	1	84	9	-	-	332029
15	3	67	16	1312	1236	270958
16	1	97	5	-	-	490733
17	2	73	11	1411	-	596681
18	3	71	12	1437	1098	106306
19	1	91	6	-	-	552634

20 MHz Master - Trial 5

Burst Segment	Number of Pulses	Pulse Width (μ s)	Chirp Width (MHz)	Pulse 1-to-2 Spacing (μ s)	Pulse 2-to-3 Spacing (μ s)	Starting Location Within Interval (μ s)
1	2	90	11	1002	-	1147654
2	2	54	17	1491	-	903536
3	1	83	18	-	-	1139784
4	3	57	20	1461	1058	355064
5	1	60	17	-	-	1418064
6	1	79	7	-	-	170397
7	2	78	13	1568	-	754765
8	1	53	12	-	-	744791

20 MHz Master - Trial 6

Burst Segment	Number of Pulses	Pulse Width (µs)	Chirp Width (MHz)	Pulse 1-to-2 Spacing (µs)	Pulse 2-to-3 Spacing (µs)	Starting Location Within Interval (µs)
1	1	57	10	-	-	345800
2	3	67	16	1700	1576	446231
3	2	51	10	1238	-	568182
4	2	100	7	1886	-	287485
5	3	59	8	1911	1383	586376
6	1	76	7	-	-	330928
7	3	66	15	1926	1440	580487
8	3	73	9	1382	1126	232307
9	3	71	17	1258	1170	147542
10	3	94	9	1795	1403	9384
11	1	92	19	-	-	242579
12	1	98	9	-	-	131233
13	2	54	5	965	-	229395
14	1	89	20	-	-	464594
15	2	96	13	1185	-	327422
16	1	91	8	-	-	67751
17	3	91	18	1202	1178	484741
18	3	82	20	1596	987	274222
19	1	65	7	-	-	588391
20	3	93	11	1649	1853	543754

20 MHz Master - Trial 7

Burst Segment	Number of Pulses	Pulse Width (μ s)	Chirp Width (MHz)	Pulse 1-to-2 Spacing (μ s)	Pulse 2-to-3 Spacing (μ s)	Starting Location Within Interval (μ s)
1	3	54	17	1927	1912	626575
2	2	79	6	1117	-	18442
3	1	73	11	-	-	270595
4	3	62	7	1692	1301	89651
5	3	66	8	1536	1288	256699
6	3	70	12	1397	1097	709000
7	2	55	8	1460	-	710643
8	3	95	12	997	1886	224752
9	1	54	16	-	-	507385
10	2	51	7	1507	-	164240
11	2	68	18	1708	-	475696
12	2	81	11	1631	-	162876
13	2	87	18	1297	-	87419
14	1	55	9	-	-	347486

20 MHz Master - Trial 8

Burst Segment	Number of Pulses	Pulse Width (μ s)	Chirp Width (MHz)	Pulse 1-to-2 Spacing (μ s)	Pulse 2-to-3 Spacing (μ s)	Starting Location Within Interval (μ s)
1	3	94	5	1832	958	888557
2	2	82	16	1220	-	367392
3	1	96	20	-	-	280683
4	3	64	11	1895	1388	257998
5	2	89	19	1240	-	533314
6	2	86	14	1226	-	349972
7	3	87	8	1245	1587	345825
8	3	86	15	1783	1892	722484
9	2	91	10	1730	-	877894
10	1	55	20	-	-	688725
11	2	98	5	1301	-	100010
12	1	80	13	-	-	438598

20 MHz Master - Trial 9

Burst Segment	Number of Pulses	Pulse Width (µs)	Chirp Width (MHz)	Pulse 1-to-2 Spacing (µs)	Pulse 2-to-3 Spacing (µs)	Starting Location Within Interval (µs)
1	1	70	20	-	-	431868
2	2	83	15	1524	-	432053
3	2	85	9	1498	-	187351
4	3	68	6	1908	1646	379904
5	2	76	10	1586	-	247319
6	3	59	19	1515	1178	194036
7	1	61	6	-	-	639893
8	1	73	7	-	-	527297
9	1	62	12	-	-	303848
10	2	100	5	1270	-	513467
11	2	87	5	1534	-	534906
12	3	60	13	1011	1230	183280
13	3	74	16	959	1338	74666
14	2	53	13	1269	-	270576
15	3	96	7	1460	1240	70908
16	1	87	15	-	-	211770
17	2	71	9	1768	-	137911
18	3	70	10	1797	1384	170755

20 MHz Master - Trial 10

Burst Segment	Number of Pulses	Pulse Width (µs)	Chirp Width (MHz)	Pulse 1-to-2 Spacing (µs)	Pulse 2-to-3 Spacing (µs)	Starting Location Within Interval (µs)
1	3	50	15	1479	1413	51836
2	2	75	20	1778	-	539252
3	1	92	6	-	-	523034
4	1	77	6	-	-	539406
5	1	81	20	-	-	443862
6	1	72	8	-	-	246043
7	2	54	16	1597	-	1039348
8	1	87	5	-	-	209718
9	3	91	15	921	1183	218358
10	1	78	20	-	-	16643

20 MHz Master - Trial 11

Burst Segment	Number of Pulses	Pulse Width (µs)	Chirp Width (MHz)	Pulse 1-to-2 Spacing (µs)	Pulse 2-to-3 Spacing (µs)	Starting Location Within Interval (µs)
1	1	62	7	-	-	1246589
2	3	50	19	1504	1891	957995
3	2	54	9	1785	-	42523
4	2	64	8	1519	-	160899
5	1	56	9	-	-	569425
6	3	72	11	980	1361	939190
7	3	54	11	1132	1068	307327
8	3	94	19	1769	1125	274593

20 MHz Master - Trial 12

Burst Segment	Number of Pulses	Pulse Width (µs)	Chirp Width (MHz)	Pulse 1-to-2 Spacing (µs)	Pulse 2-to-3 Spacing (µs)	Starting Location Within Interval (µs)
1	2	61	16	1315	-	261322
2	1	89	5	-	-	534649
3	2	96	19	1869	-	1459807
4	3	55	10	1513	1822	180418
5	1	92	13	-	-	999462
6	1	86	18	-	-	686475
7	2	66	16	1823	-	1360873
8	1	87	7	-	-	8129

20 MHz Master - Trial 13

Burst Segment	Number of Pulses	Pulse Width (µs)	Chirp Width (MHz)	Pulse 1-to-2 Spacing (µs)	Pulse 2-to-3 Spacing (µs)	Starting Location Within Interval (µs)
1	1	91	15	-	-	863872
2	2	85	13	1183	-	235347
3	1	58	17	-	-	828706
4	1	67	6	-	-	1129051
5	3	84	5	1210	1374	633259
6	1	83	5	-	-	1000578
7	1	50	19	-	-	372029
8	2	55	9	1250	-	105457

20 MHz Master - Trial 14

Burst Segment	Number of Pulses	Pulse Width (µs)	Chirp Width (MHz)	Pulse 1-to-2 Spacing (µs)	Pulse 2-to-3 Spacing (µs)	Starting Location Within Interval (µs)
1	3	69	18	1079	1745	477574
2	2	64	15	1708	-	364260
3	2	93	9	927	-	403255
4	3	89	17	1295	1234	793428
5	2	51	12	1208	-	208742
6	3	77	15	1223	1912	232028
7	2	50	10	1763	-	771314
8	2	95	18	940	-	8738
9	1	62	12	-	-	140109
10	2	61	7	1087	-	405206
11	2	85	7	1724	-	812473
12	3	83	13	1232	1527	640248
13	3	74	11	1200	1180	242510
14	3	83	5	1215	1823	472452

20 MHz Master - Trial 15

Burst Segment	Number of Pulses	Pulse Width (µs)	Chirp Width (MHz)	Pulse 1-to-2 Spacing (µs)	Pulse 2-to-3 Spacing (µs)	Starting Location Within Interval (µs)
1	3	58	17	969	1038	685831
2	3	69	13	1758	1419	636391
3	2	60	11	1916	-	274959
4	3	79	8	1207	957	859030
5	3	60	19	1270	1481	540691
6	1	58	14	-	-	145387
7	3	95	17	957	1527	498106
8	3	93	10	1365	1552	1032507
9	3	91	6	1213	1592	870913
10	2	66	10	934	-	961031
11	2	100	18	1086	-	326624

20 MHz Master - Trial 16

Burst Segment	Number of Pulses	Pulse Width (µs)	Chirp Width (MHz)	Pulse 1-to-2 Spacing (µs)	Pulse 2-to-3 Spacing (µs)	Starting Location Within Interval (µs)
1	3	71	15	1821	1381	694848
2	1	80	19	-	-	756185
3	2	95	10	1828	-	692660
4	1	93	13	-	-	117328
5	1	62	18	-	-	353717
6	3	63	17	1799	945	495686
7	1	90	9	-	-	462621
8	2	74	5	1919	-	68817
9	1	61	17	-	-	849908
10	3	58	19	1365	1910	93546

20 MHz Master - Trial 17

Burst Segment	Number of Pulses	Pulse Width (µs)	Chirp Width (MHz)	Pulse 1-to-2 Spacing (µs)	Pulse 2-to-3 Spacing (µs)	Starting Location Within Interval (µs)
1	1	56	10	-	-	97015
2	1	99	6	-	-	136220
3	3	81	15	1639	1227	197580
4	3	92	8	1421	1633	486683
5	2	57	17	1215	-	944588
6	2	76	5	1048	-	983911
7	3	92	17	1613	1093	1030260
8	2	59	10	1604	-	436114
9	3	57	12	1529	1454	492062
10	2	96	10	1608	-	991087
11	1	82	17	-	-	83737

20 MHz Master - Trial 18

Burst Segment	Number of Pulses	Pulse Width (μ s)	Chirp Width (MHz)	Pulse 1-to-2 Spacing (μ s)	Pulse 2-to-3 Spacing (μ s)	Starting Location Within Interval (μ s)
1	1	61	13	-	-	449539
2	1	50	20	-	-	765789
3	3	97	14	1900	1807	361652
4	1	58	5	-	-	47087
5	2	50	10	1636	-	354872
6	1	50	7	-	-	790686
7	1	98	14	-	-	152397
8	3	55	14	1371	1906	782103
9	1	69	19	-	-	202066
10	3	89	14	1760	1442	6431
11	3	85	16	1094	1499	138469
12	1	99	10	-	-	866432

20 MHz Master - Trial 19

Burst Segment	Number of Pulses	Pulse Width (μ s)	Chirp Width (MHz)	Pulse 1-to-2 Spacing (μ s)	Pulse 2-to-3 Spacing (μ s)	Starting Location Within Interval (μ s)
1	2	94	8	1651	-	705040
2	1	89	15	-	-	760556
3	1	97	5	-	-	333616
4	3	84	16	1720	1599	783725
5	3	59	12	1079	1761	437397
6	1	70	14	-	-	687049
7	1	83	6	-	-	80209
8	1	89	13	-	-	603091
9	2	93	13	1699	-	159086
10	2	86	5	1545	-	296548
11	1	96	11	-	-	229097
12	1	72	6	-	-	276512
13	3	87	11	1145	1532	696139
14	1	93	18	-	-	544603

20 MHz Master - Trial 20

Burst Segment	Number of Pulses	Pulse Width (μ s)	Chirp Width (MHz)	Pulse 1-to-2 Spacing (μ s)	Pulse 2-to-3 Spacing (μ s)	Starting Location Within Interval (μ s)
1	3	56	6	1106	952	217839
2	3	69	20	936	1759	261377
3	3	94	18	986	1558	235597
4	3	68	14	939	1881	495508
5	3	66	8	1165	1661	362135
6	1	90	6	-	-	100852
7	3	61	8	1693	1358	578818
8	2	53	6	1264	-	93869
9	1	80	10	-	-	479825
10	3	78	12	1001	1196	159320
11	3	58	9	1338	1636	76039
12	2	83	11	1598	-	21740
13	1	81	8	-	-	398216
14	3	95	20	1755	1813	347367
15	3	82	15	1363	1630	548819
16	2	100	5	1738	-	449679
17	3	96	16	962	1856	224839
18	3	90	18	1326	1594	400170
19	1	100	20	-	-	88351

20 MHz Master - Trial 21

Burst Segment	Number of Pulses	Pulse Width (μ s)	Chirp Width (MHz)	Pulse 1-to-2 Spacing (μ s)	Pulse 2-to-3 Spacing (μ s)	Starting Location Within Interval (μ s)
1	3	83	13	1147	1283	931268
2	1	77	15	-	-	1268696
3	3	62	7	1596	1338	1120662
4	1	76	16	-	-	663693
5	2	95	13	1136	-	65352
6	1	56	8	-	-	1325416
7	2	73	16	1661	-	455625
8	1	67	9	-	-	645531
9	2	60	15	1459	-	393271

20 MHz Master - Trial 22

Burst Segment	Number of Pulses	Pulse Width (µs)	Chirp Width (MHz)	Pulse 1-to-2 Spacing (µs)	Pulse 2-to-3 Spacing (µs)	Starting Location Within Interval (µs)
1	3	78	16	1681	1206	730767
2	3	74	9	1568	1483	16304
3	1	65	7	-	-	287425
4	2	91	13	1040	-	461016
5	1	76	17	-	-	522404
6	1	77	18	-	-	64417
7	2	92	5	1495	-	123815
8	2	75	10	1303	-	868267
9	1	87	20	-	-	444566
10	1	90	6	-	-	207381
11	1	65	7	-	-	594078
12	3	99	7	1807	1396	35500
13	3	59	8	1200	1899	374609

20 MHz Master - Trial 23

Burst Segment	Number of Pulses	Pulse Width (µs)	Chirp Width (MHz)	Pulse 1-to-2 Spacing (µs)	Pulse 2-to-3 Spacing (µs)	Starting Location Within Interval (µs)
1	3	75	11	1915	1734	480534
2	3	59	19	1286	1341	369593
3	3	71	5	1421	1756	369772
4	2	97	18	1881	-	55621
5	2	61	20	1397	-	282035
6	1	86	20	-	-	545525
7	2	87	9	1194	-	453582
8	1	60	14	-	-	110872
9	2	99	15	1665	-	267813
10	3	81	19	1620	1326	515105
11	2	74	18	1763	-	299000
12	1	88	18	-	-	159990
13	2	100	7	1305	-	441920
14	3	51	7	1671	1797	415251
15	1	96	17	-	-	290427
16	1	72	15	-	-	598449
17	1	92	12	-	-	342417

20 MHz Master - Trial 24

Burst Segment	Number of Pulses	Pulse Width (μ s)	Chirp Width (MHz)	Pulse 1-to-2 Spacing (μ s)	Pulse 2-to-3 Spacing (μ s)	Starting Location Within Interval (μ s)
1	1	67	6	-	-	950812
2	2	93	15	1381	-	419372
3	2	79	12	1729	-	243867
4	1	71	16	-	-	513879
5	1	93	18	-	-	442995
6	2	85	12	1750	-	1061294
7	2	96	13	1289	-	116649
8	2	94	8	1185	-	941037
9	1	85	18	-	-	230675
10	1	98	13	-	-	216127
11	3	59	8	1464	1367	606652

20 MHz Master - Trial 25

Burst Segment	Number of Pulses	Pulse Width (μ s)	Chirp Width (MHz)	Pulse 1-to-2 Spacing (μ s)	Pulse 2-to-3 Spacing (μ s)	Starting Location Within Interval (μ s)
1	1	82	12	-	-	801117
2	3	70	11	1537	1813	287055
3	2	92	5	1381	-	945600
4	3	51	18	1507	1504	764833
5	2	82	16	1382	-	987045
6	2	75	15	1674	-	823959
7	2	100	5	1746	-	879574
8	2	70	12	1393	-	737384
9	1	100	19	-	-	557286
10	1	76	16	-	-	3911
11	1	60	15	-	-	867794
12	1	80	19	-	-	990500

20 MHz Master - Trial 26

Burst Segment	Number of Pulses	Pulse Width (µs)	Chirp Width (MHz)	Pulse 1-to-2 Spacing (µs)	Pulse 2-to-3 Spacing (µs)	Starting Location Within Interval (µs)
1	2	93	19	1814	-	641928
2	1	73	6	-	-	561559
3	3	81	6	1483	1549	275082
4	1	91	15	-	-	240699
5	3	57	10	1417	1714	333893
6	2	77	7	1543	-	658087
7	2	97	19	1494	-	39521
8	2	78	18	1053	-	564811
9	2	74	9	1448	-	65279
10	3	85	14	1166	1688	123749
11	3	78	9	1570	1902	248627
12	1	70	14	-	-	390273
13	1	73	18	-	-	388261
14	3	58	20	1512	1763	355208
15	3	77	13	1180	1579	61362
16	3	84	14	1618	1895	602231
17	3	90	12	1280	1528	625575
18	1	61	11	-	-	286334

20 MHz Master - Trial 27

Burst Segment	Number of Pulses	Pulse Width (µs)	Chirp Width (MHz)	Pulse 1-to-2 Spacing (µs)	Pulse 2-to-3 Spacing (µs)	Starting Location Within Interval (µs)
1	1	58	5	-	-	329461
2	3	70	17	1644	1930	342555
3	1	60	11	-	-	35651
4	1	100	19	-	-	338682
5	2	92	18	1515	-	314928
6	2	52	6	1277	-	444660
7	1	75	14	-	-	87624
8	2	100	8	999	-	499117
9	3	50	9	1752	1939	779137
10	2	81	14	1000	-	260313
11	2	98	8	1698	-	770585
12	2	84	15	1680	-	338940
13	2	92	6	1114	-	545707
14	2	92	7	1556	-	329053
15	3	96	10	1111	1315	148301

20 MHz Master - Trial 28

Burst Segment	Number of Pulses	Pulse Width (µs)	Chirp Width (MHz)	Pulse 1-to-2 Spacing (µs)	Pulse 2-to-3 Spacing (µs)	Starting Location Within Interval (µs)
1	3	82	19	1916	1367	35484
2	1	98	6	-	-	448294
3	3	57	20	1245	1536	503452
4	1	66	7	-	-	308825
5	2	65	12	1585	-	721117
6	3	84	13	1604	1500	1474430
7	2	89	13	1706	-	41299
8	3	71	19	1740	994	378371

20 MHz Master - Trial 29

Burst Segment	Number of Pulses	Pulse Width (μ s)	Chirp Width (MHz)	Pulse 1-to-2 Spacing (μ s)	Pulse 2-to-3 Spacing (μ s)	Starting Location Within Interval (μ s)
1	1	51	20	-	-	548486
2	1	60	14	-	-	133280
3	3	61	20	1378	1520	126472
4	1	76	12	-	-	283336
5	2	63	12	1251	-	337750
6	2	70	13	1495	-	390596
7	3	70	10	1071	1273	559195
8	1	82	12	-	-	213444
9	2	66	6	1352	-	77181
10	1	90	6	-	-	170633
11	3	79	19	1338	1377	471545
12	3	55	19	1543	1564	222824
13	2	82	6	1312	-	385969
14	3	92	6	1789	1807	506958
15	1	61	17	-	-	116429

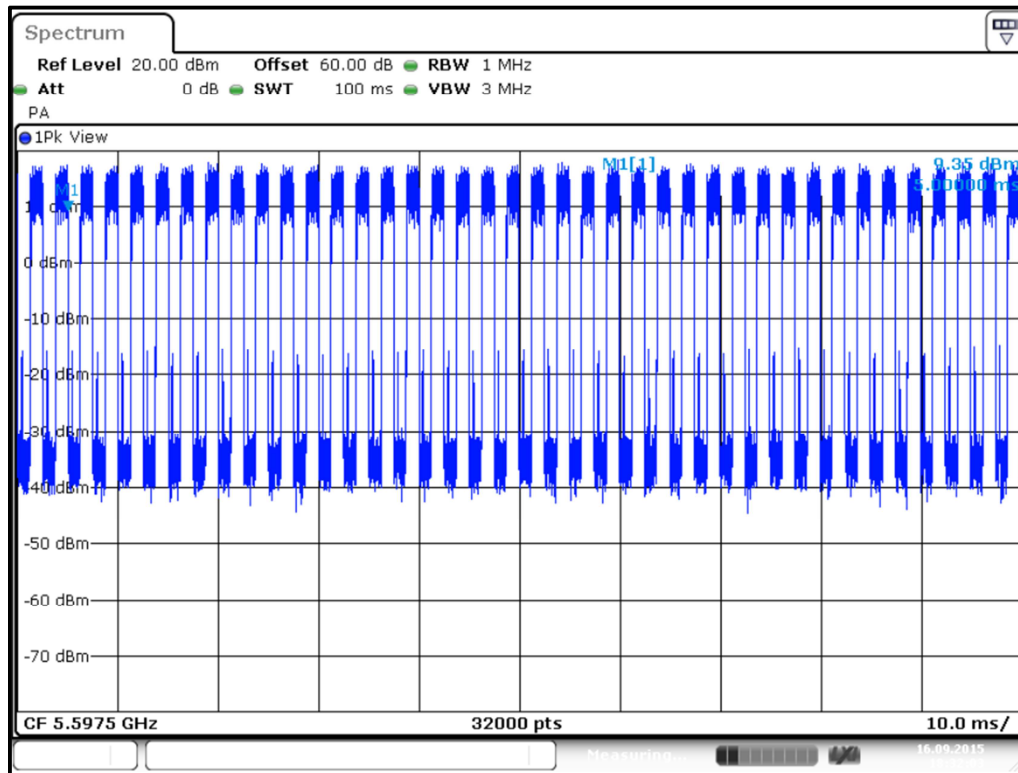
20 MHz Master - Trial 30

Burst Segment	Number of Pulses	Pulse Width (μ s)	Chirp Width (MHz)	Pulse 1-to-2 Spacing (μ s)	Pulse 2-to-3 Spacing (μ s)	Starting Location Within Interval (μ s)
1	1	61	9	-	-	678108
2	1	65	16	-	-	1089759
3	3	100	19	1449	1256	709705
4	2	51	19	1937	-	1146473
5	3	50	5	1563	1235	1149444
6	1	66	20	-	-	1133079
7	3	59	15	1387	1771	36754
8	3	66	5	1925	1242	1125664
9	1	77	12	-	-	1144505
10	1	87	9	-	-	641888

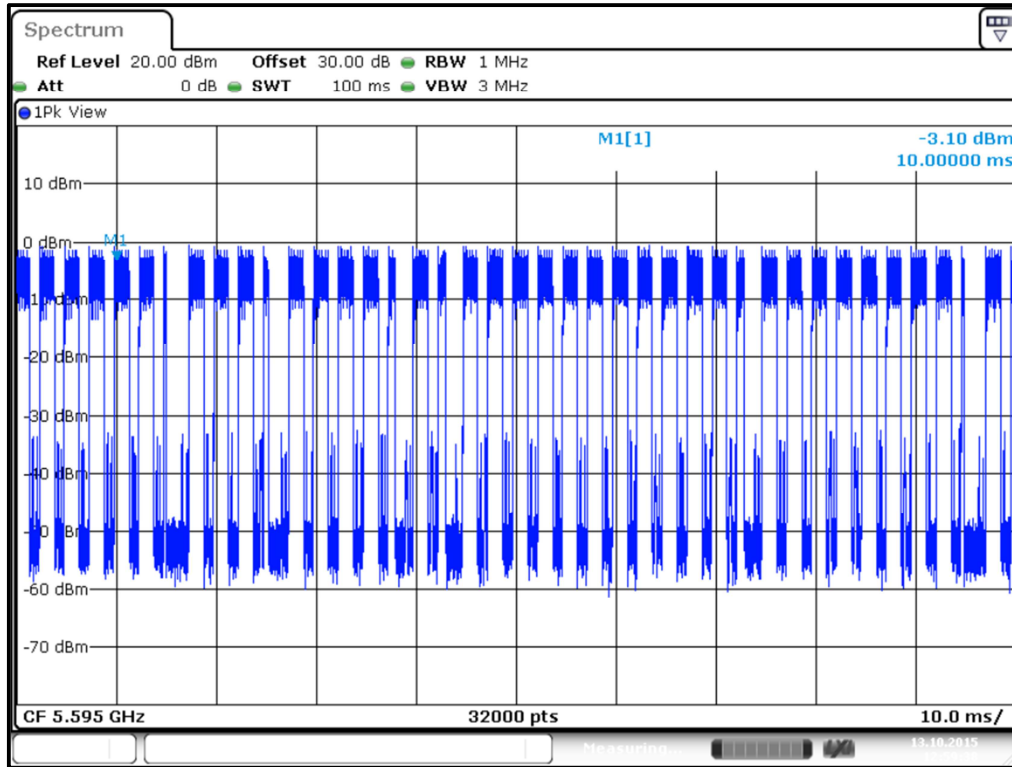
Appendix 10. Channel Loading

UDP data was transmitted from the EUT to the companion device. 100 ms of transmissions showing both the EUT and companion device were then captured on a spectrum analyser in the time domain. The spectrum analyser was set to 32000 sweep points giving a sample size accuracy of 3.125 μ s. The data points were then exported as an ASCII file and each sample determined to be either transmissions from the EUT or companion device (channel loading) or idle. The duty cycle was then calculated from this ratio.

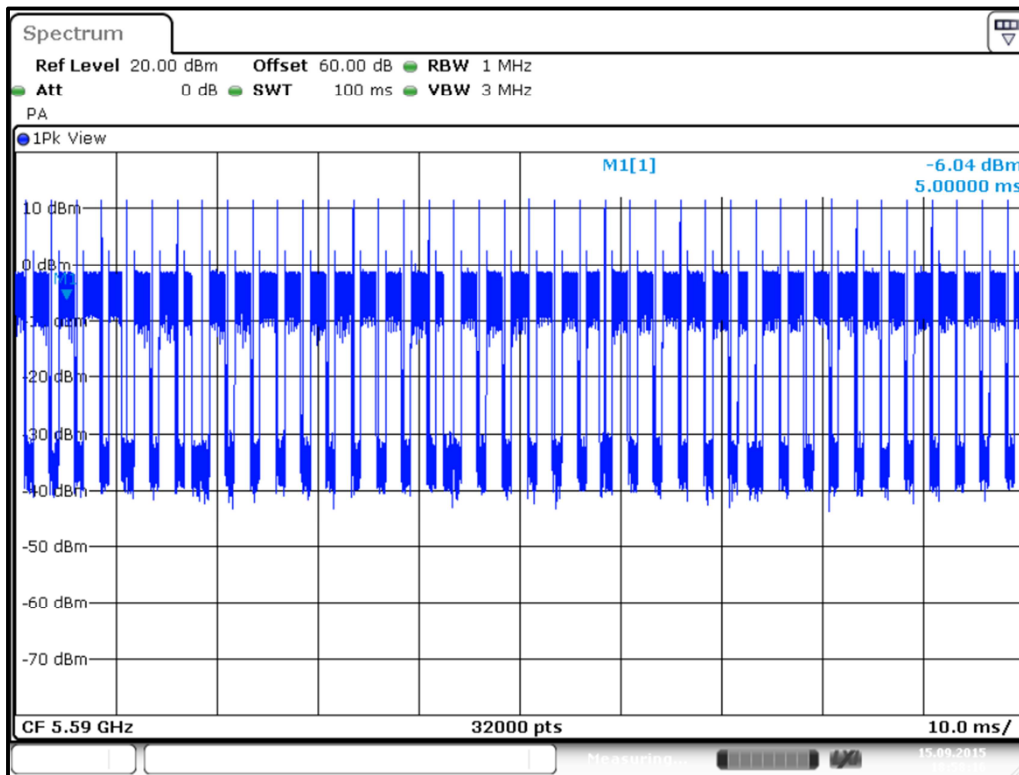
Included below are spectrum analyser plots from which the raw data was extracted to calculate the channel loading.



52.1 % Channel Loading at 5 MHz Bandwidth



59.9 % Channel Loading at 10 MHz Bandwidth



61.7 % Channel Loading at 20 MHz Bandwidth

--- END OF REPORT ---