

OPERATING MANUAL



MEMPHIS CAR AUDIO

SPECIAL BLUETOOTH STREAMING ACCESSORY

Model: 16-SABTS

WELCOME TO MEMPHIS!

Thank you for choosing Memphis Car Audio. Your choice of Memphis Car Audio indicates a desire for high quality music in your car. Memphis Car Audio brings to you over four decades of car audio expertise. So whether you are a daily driving music lover, or a serious car audio competitor, Memphis Car Audio has the product for you!

To take full advantage of the Memphis Car Audio gear you have just purchased, please read and follow the instructions in this manual. As with all of our products, professional installation by an authorized Memphis Car Audio dealer is highly recommended!

No matter who performs the installation, there's nothing better than Memphis Connection Accessories to make sure your Memphis Car Audio product performs the way it was intended to. Using the proper size and quality of power and ground wire, as well as the RCA interconnects will dramatically enhance the sound quality and durability of your Memphis Car Audio products.

**Get all the performance and reliability you paid for with
Memphis Connection Accessories!**

INTRODUCTION

The Memphis Car Audio Special Application Bluetooth Streaming Accessory allows you to wirelessly connect any Bluetooth compatible smart phone, music player, or tablet computer to an amplifier for music in a variety of applications.

When combined with the Special Application Amplifier and Memphis Car Audio speakers, you have a complete mobile system that can go almost anywhere. To further enhance your listening enjoyment, Memphis Car Audio also offers a wide range of signal processors and Connection Accessories.

Remember, a car audio system will only perform as good as the weakest link, so make your system all Memphis!

2

FCC Notice

This device complies with Part 15 of the FCC Rules. Operation is subject to the following two conditions: (1) this device may not cause harmful interference, and (2) this device must accept any interference received, including interference that may cause undesired operation.

This equipment has been tested and found to comply with the limits for a Class B digital device, pursuant to part 15 of the FCC Rules. These limits are designed to provide reasonable protection against harmful interference in a residential installation. This equipment generates, uses and can radiate radio frequency energy, and if not installed and used in accordance with the instructions, may cause harmful interference to radio communications. However, there is no guarantee that interference will not occur in a particular installation. If this equipment does cause harmful interference to radio or television reception, which can be determined by turning the equipment OFF and ON, the user is encouraged to try to correct the interference by one or more of the following measures:

- Reorient or relocate the receiving antenna.
- Increase the separation between the equipment and receiver.
- Connect the equipment into an outlet on a circuit different from that to which the receiver is connected.
- Consult the dealer or an experienced radio / TV technician for help.

The manufacturer is not responsible for any radio or TV interference caused by unauthorized modifications to this equipment. Such modifications could void the user's authority to operate the equipment.

FCC RF Safety Caution Statement

To satisfy FCC RF exposure requirements for mobile and base station transmission devices, a separation distance of 20cm or more should be maintained between the antenna of this device and persons during operation. To ensure compliance, operation at closer than this distance is not recommended. The antenna(s) used for this transmitter must not be co-located or operating in conjunction with any other antenna or transmitter.

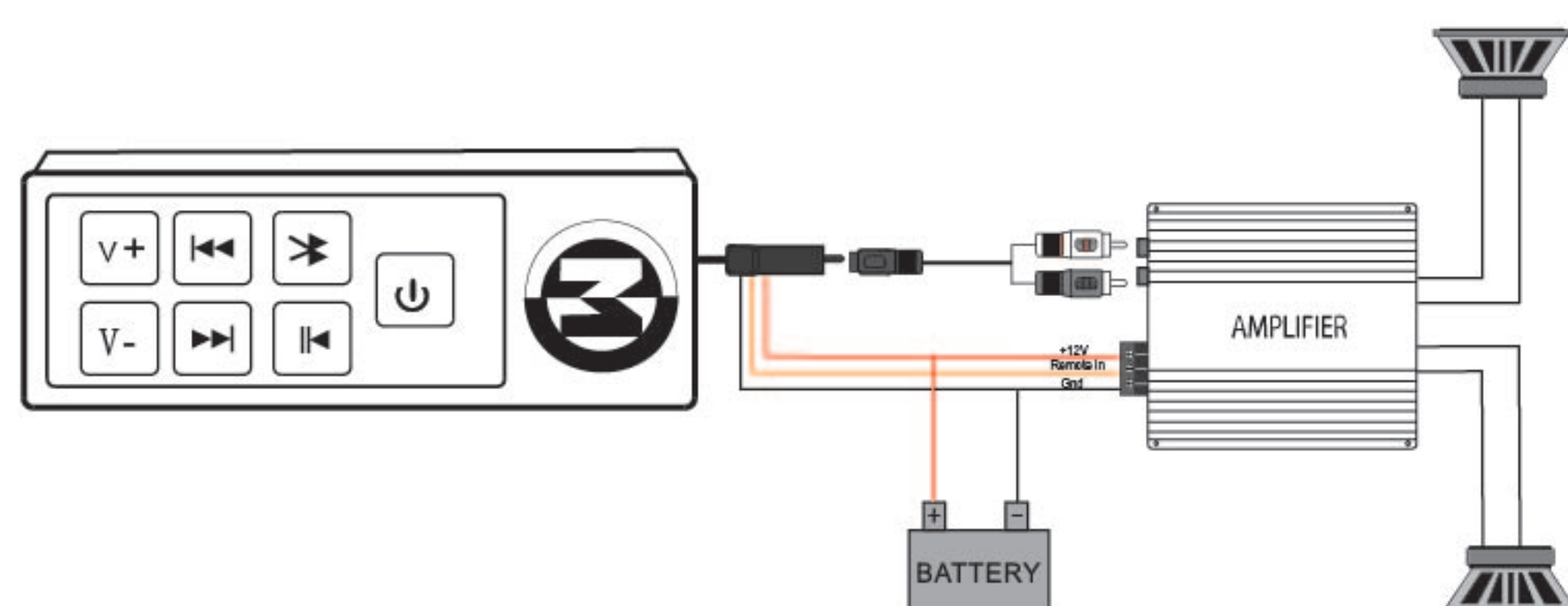
7

USING THE SABTS WITH THE SA225 AMP

Included with the SABTS is a wiring harness. When used with the SA225 amplifier, this harness will not be used, so the +12V (red wire – see #2 on the SA225 manual's diagram), the ground (black wire – see #3 on the SA225 manual's diagram) and the remote out (orange wire – see #1 on the SA225 manual's diagram) all connect to the corresponding inputs on the SA225. The male 3.5mm plug from the SABTS is plugged into the female 3.5mm jack on the SA225 amplifier. Consult the diagram in the SA225 manual for more explanation.

USING THE SABTS WITH OTHER AMPS/DEVICES






When used with any other amplifier or source unit, the wiring harness on the SABTS is used in the following manner:
Red Wire (+12V) should be connected to a switched +12V circuit.
Black Wire (Gnd) should be connected to -12V or chassis ground.
Orange Wire (Remote out) should be connected to the remote turn-on lead to an amplifier so that when the SABTS is switched on, it sends a signal to the amplifier allowing it to turn on as well. If you are using the SABTS with a source unit, or any other device that has a power on switch, this Orange remote out is not needed.
Included with the SABTS is an adaptor allowing the 3.5mm male output plug to be used with a source unit or amplifier that requires RCA style inputs.



4

SET UP AND ADJUSTMENT

BLUETOOTH PAIRING

- Check your phone or Bluetooth device to make sure that your device is capable of streaming A2DP Bluetooth signals and that the Bluetooth is enabled on the device. Typically that function is available by entering the "settings" menu, then finding the "Bluetooth" controls on your phone. With most phones a small Bluetooth icon  will be displayed when that function is enabled, but will light up when connected.
- Turn on operation: Press and hold the power  button for around 1.5 seconds. The Bluetooth Icon  will flash red slowly, indicating that the unit is powered on. Press the power button again to enable pairing mode for the SABTS, the Bluetooth Icon  will flash red rapidly. When the SABTS is successfully paired, the Bluetooth Icon  will be lit red continuously.
- Make sure your phone is in "pairing" or "discoverable" mode. Within a few seconds you should see "Memphis Amplifier" appear on your phone's Bluetooth menu. Once you click that icon authorizing your phone to connect to the SABTS, you will have a connection. This connection can be stored on your phone enabling the SABTS to connect to your phone whenever you need it.
- If you have problems connecting, it is suggested that you check with your phone's manufacturer or your wireless provider.
- Once the SABTS is connected, make sure the volume out on your phone is set at a reasonably high level (at least 3/4 of maximum). Adjusting the volume of the system can be done on the panel of the SABTS when your phone is paired to it. Track advance and reverse, as well as pause can also be accomplished on the panel of the SABTS, allowing you to keep your phone in your pocket, purse, or other out of the way place.

WARRANTY INFORMATION

5

Should your SABTS require service Please consult with the dealer from which it was purchased, or contact Memphis Car Audio Customer Service: 800-489-2300 or techsupport@memphiscaraudio.com. Do not attempt to return your amplifier directly to us without first calling for a Return Authorization Number. Units received without an accompanying Return Authorization Number will be returned unopened. Additionally, you must include a copy of your purchase receipt from an authorized dealer for consideration of in-warranty service; otherwise repair charges will apply. Units received without a receipt will be held for 30 days, allowing us time to contact you and obtain a copy of the receipt. After 30 days, all units will be returned to you, unrepai red.

**FOR MORE INFORMATION, VISIT
WWW.MEMPHISCARAUDIO.COM**

6

INSTALLATION

Professional installation by an authorized Memphis Car Audio dealer is highly recommended! Otherwise, the performance of your new gear may not be satisfactory. In the event that you decide to do your own installation, please read and follow this manual very carefully. Failure to do so may compromise the integrity of this product, your automobile, and possibly void the product warranty.

The SABTS is specially designed to be used in applications where water, rain or snow might come in direct contact. The sealed case will allow it to withstand these types of demanding uses. Also included is a handlebar mount, as well as a flush mount, allowing the SABTS to be mounted almost anywhere.

WARNING!

Before securing the SABTS, inspect the mounting location carefully to ensure that you do not drill into or damage any electrical, hydraulic, fluid, or fuel lines.

POWER SUPPLY CONNECTIONS

WARNING!
**DISCONNECT THE VEHICLE'S BATTERY
BEFORE BEGINNING ANY
INSTALLATION!**

Use conventional stranded copper wire for all connections. Finish the ends of the wires at the amp and vehicle connection with the proper size terminals. Poorly made connections, and /or inadequate wire size will generate excessive heat and may lead to equipment failure.

3