

MEMPHIS XTREME AUDIO MXA



MEMPHIS
AUDIO SINCE 1965



MXAMCAPP

APP CONTROLLED HIDEAWAY HEAD UNIT

SHOW US YOUR INSTALL



WWW.MEMPHISCARAUDIO.USA



[@MEMPHISCARAUDIO](https://www.facebook.com/MEMPHISCARAUDIO)



[@MEMPHISCARAUDIOUSA](https://www.instagram.com/MEMPHISCARAUDIOUSA)

The Headless Unit

The MXAMCAPP is an extremely innovative solution for creating a complete audio experience in your vehicle without the need to alter your vehicles dash to accommodate an aftermarket head unit. Much more than a simple Bluetooth controller, this is an entire head unit packed into a hideaway box. The MXAMCAPP features a built-in 50x4 amplifier, 5 source options, and front/rear/subwoofer RCA outputs allowing you to build your entire system directly off the unit. The hideaway box is controlled via the Memphis APP allowing you to control your EQ, AM/FM presets, RGB LEDs and more. The attached wired remote fits in standard knock out locations but is not required. This is the ultimate for powersports, marine, hot rod and classic car audio integration where you don't want to alter the appearance of your dash.

Features

- 5 Source options: AUX, BT, AM/FM, Weatherband
- USB Charging
- 50w x 4 built-in amplifier
- RGB LED control output
- Front/Rear/Subwoofer RCA output
- 2.5-Volt preamp output
- Conformal coated PCB IP66 rated
- Wired remote fits standard rocker switch cutout
- Wired remote w/ illuminating buttons

App Controls The Following

- RGB Settings
- Custom EQ settings
- Balance, fade, subwoofer control
- AM/FM Preset Control
- Radio search settings
- Manual/Seek/Presets

Warranty

Electronics limited warranty (including Memphis accessories) When purchased from an Authorized Memphis Dealer, Memphis warrants this product to be free from defects in material and workmanship under normal use for a period of ONE (1) YEAR from date of original purchase (receipt required), THREE (3) YEARS years if installed by an authorized Memphis dealer (receipt required). If this product is identified as "Refurbished" or "B Goods", the warranty is limited to a period of THREE (3) MONTHS from date of original purchase. In all cases you must have the original receipt. Should service be necessary under this warranty for any reason due to manufacturing defect or malfunction during the warranty period, Memphis will repair or replace (at its discretion) the defective merchandise with equivalent merchandise. Warranty replacements may have cosmetic scratches and blemishes. Discontinued products may be replaced with more current equivalent products. Warranty is valid only for the original purchaser and is not extended to owners of the product subsequent to the original purchaser. Any applicable implied warranties are limited in duration to a period of the express warranty as provided herein beginning with the date of the original purchase at retail, and no warranties, whether express or implied, shall apply to this product thereafter. NOTE: This equipment has been tested and found to comply with the limits for a Class B digital device, pursuant to part 15 of the FCC Rules. These limits are designed to provide reasonable protection against harmful interference in a residential installation. This equipment generates, uses and can radiate radio frequency energy and, if not installed and used in accordance with the instructions, may cause harmful interference to radio communications. However, there is no guarantee that interference will not occur in a particular installation. If this equipment does cause harmful interference to radio or television reception, which can be determined by turning the equipment off and on, the user is encouraged to try to correct the interference by one or more of the following measures: Reorient or relocate the receiving antenna. Increase the separation between the equipment and the receiver. Connect the equipment into an outlet or a circuit different from that to which the receiver is connected.

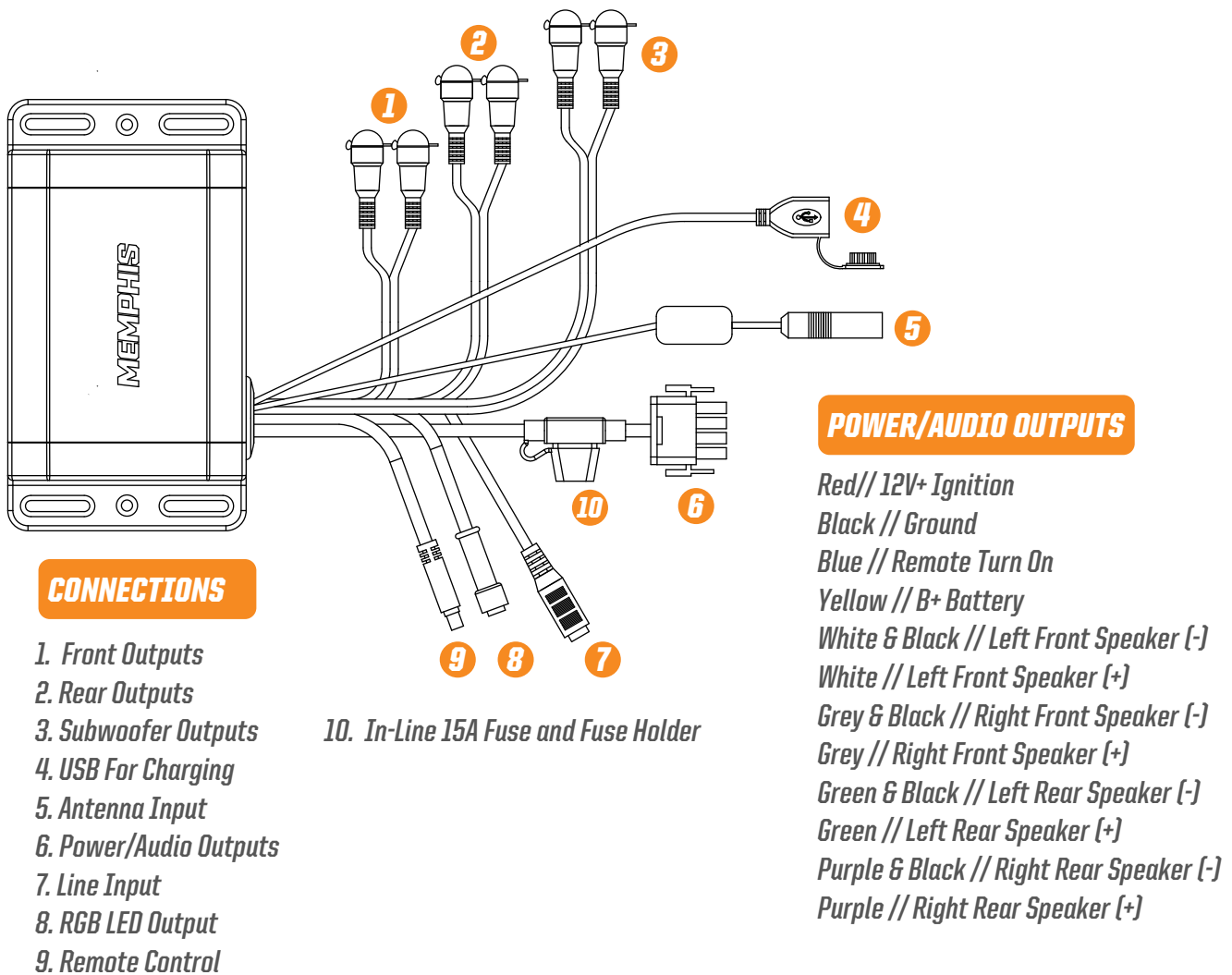
Consult the dealer or an experienced radio/TV technician for help.

Warning: Changes or modifications to this unit not expressly approved by the part responsible for Compliance could void the user's authority to operate the equipment.

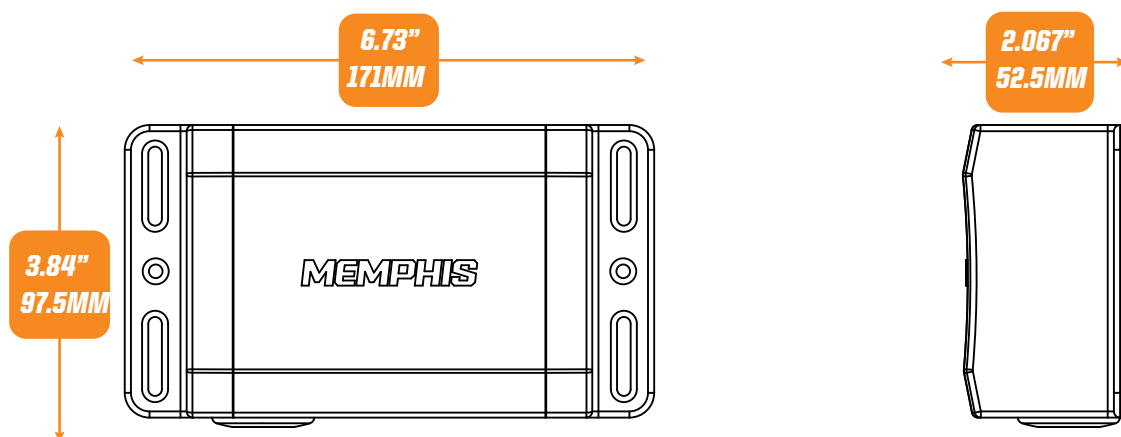
FCC Radiation Exposure Statement

This equipment complied with FCC radiation exposure limits set forth for an uncontrolled environment. This equipment should be installed and operated with minimum distance 20cm between the radiator & your body.

Wiring Overview



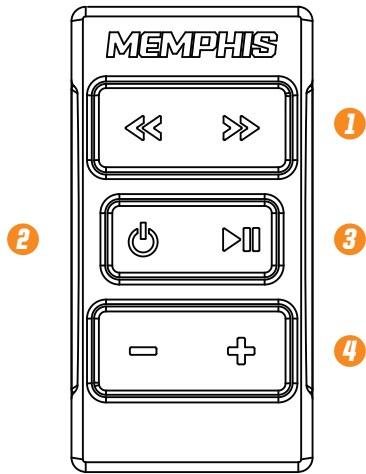
Dimensions



**Note: Mounting depth is 90mm but room is required for wires and connections. Check available depth prior to mounting. Measure before cutting and be certain you will not be drilling into any items that will damage your vehicle.*

Button Function

Wired remote control is optional and is not required to use the MXAMCAPP. This unit fits into standard rocker switch knockout locations.



CONTROLS

1. Track Skip
2. Short Press: Change Source // Long Press: Power Down Device
3. Play/Pause
4. Volume Down/Up

Downloading Memphis App

The Memphis App is available on iOS & Android in the app store. Search for "MEMPHIS RADIO" and locate the MEMPHIS RADIO App. Download and install the app to begin controlling your MXAMCAPP.



Bluetooth Pairing (Audio Streaming Only)

When unit is powered on, search for Bluetooth Devices. Look for MXAMCAPP on your Bluetooth Device. Select this device to pair with the MXAMCAPP unit. When connected via Bluetooth you can stream music to your MXAMCAPP unit.

Bluetooth Pairing The APP

To control you MXAMCAPP units settings and radio stations via the MEMPHIS RADIO App, you must establish a Bluetooth connection using the MEMPHIS RADIO App. Open the BLUETOOTH SETTINGS menu on the MEMPHIS RADIO App and follow the instructions on the next page to pair your MEMPHIS RADIO App with you MXAMCAPP unit.

App Instructions

Main Menu/Source Selection



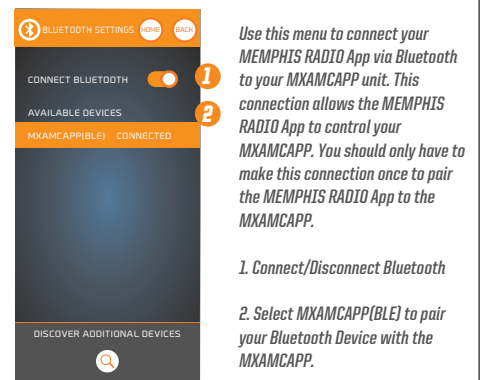
1. Settings
2. Bluetooth Source
3. FM Radio Source
4. AM Radio Source
5. AUX Source
6. Weather Band Source
7. Previous Track
8. Play/Pause
9. Next Track
10. Volume Control

Settings



1. Adjust volume, fade, balance
2. EQ settings Menu
3. Bluetooth configuration
4. Adjust LED color settings
5. Restore Default settings
6. App version information

Bluetooth Settings Menu

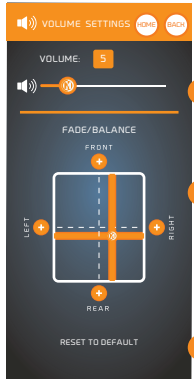


Use this menu to connect your MEMPHIS RADIO App via Bluetooth to your MXAMCAPP unit. This connection allows the MEMPHIS RADIO App to control your MXAMCAPP. You should only have to make this connection once to pair the MEMPHIS RADIO App to the MXAMCAPP.

1. Connect/Disconnect Bluetooth
2. Select MXAMCAPP(BLE) to pair your Bluetooth Device with the MXAMCAPP.

App Instructions Continued

Volume/Fade/Balance Menu



1. Volume slider adjusts volume of system. Volume level is indicated in the box above slider.
2. Fade/Balance Adjuster: Adjust the fade/balance of your system by positioning the center of the slider to the location that best fits your listening needs. You can also tap the Front/Rear/Left/Right "+" icons to increase the level by +1 in the desired direction.
3. Reset the screen to the factory default settings.

EQ Settings Menu



1. EQ Preset options. Tap arrows to toggle through presets settings.
2. Manually adjust EQ settings. Slide the band you wish to adjust into the desired position. Desired EQ setting will be saved as "Custom Setting"
3. Restore to the factory default settings

LED COLOR SETTINGS MENU



1. Turns the connected RGB LED Lighting on/off
2. Lighting color cycle on/off Light button system RGB LED color cycle
3. Use the wheel to select your systems RGB LED color. Touch the wheel and slide the indicator point to the desired color.
4. You can use the RGB sliders to dial in a specific color value. Adjust Red, Green and Blue individually until you've reached your desired color.
5. You can adjust the brightness using the slider.

AM/FM/WB Source Screen



1. Indicates current radio station
2. Select radio preset category (FM1, FM2, FM3, AM1, AM2, AM3 allows you to store 3 stations in each preset category)
3. Presets 1-6. Use Seek/manual tuning to locate desired station. Press and hold desired preset button for several seconds to save station as a preset.
4. Puts unit into SEEK mode. Arrows will now seek for the next station.
5. Puts unit into PRESET mode. Tapping Left or Right arrows skips to the next programmed preset station.
6. Puts unit into MANUAL TUNER mode. The arrows will now manually tune to the next station.
7. Changes to the next available station. Select SEEK or MANUAL above to change the way the system locates the next station.
8. Adjusts volume of the unit

SHOW US YOUR INSTALL

 WWW.MEMPHISCARAUDIO.USA

 @MEMPHISCARAUDIO

 @MEMPHISCARAUDIOUSA



CONTACT INFO

122 GAYOSO AVE
MEMPHIS, TN USA 38101

TECH SUPPORT
800-903-6979