



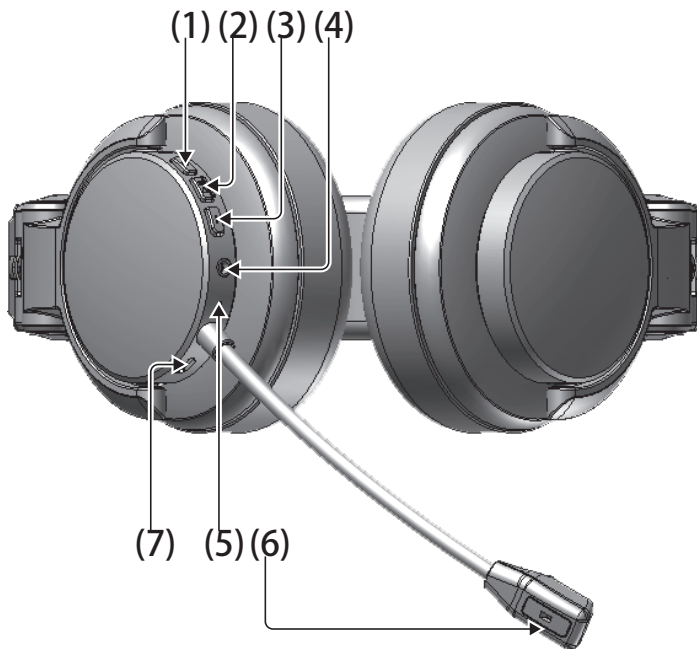
Quick Start Guide

EN

BB 560M

High-Quality Professional Headphones with
Built-in Microphone

Controls and Connectors



- (1) **Volume + / Next song** - Press quickly to increase the volume, press and hold to skip to the next song.
- (2) **Play/Pause** - Used for several functions including Bluetooth pairing, play, pause, hang up, refuse call, and redial. Hold this button for 1 second to turn the headphones on.
- (3) **Volume - / Previous song** - Press quickly to decrease volume, press and hold for previous song.
- (4) **3.5 mm input** - Connect a 3.5 mm stereo cable for wired audio use.
- (5) **LED** - Red and blue status indicator light.
- (6) **Microphone**
- (7) **USB port** - Micro USB port for charging.



Charging

After unpacking the headphones, the USB charging cable should be plugged in and allowed to charge for at least 4 hours. Once the battery has been fully charged the first time, subsequent charges should only take 2-3 hours. While charging, the LED will light red. After the battery has reached full capacity, the LED will turn off.

The headset will beep twice to indicate that the battery power is low, and the LED will flash red. When the voltage drops below 3 V, the headset will automatically power off and must be recharged.

Pairing of headset and Bluetooth device

1. Turn on the headphones by holding the Play/Pause button for 1 second. The LED will alternate flashing red and blue and a sound will beep twice to indicate that the device is ready for pairing.
2. Open the Bluetooth menu on your Bluetooth device and search for available connections. Note that if the headset does not successfully pair with a device, it will automatically power down after 3 minutes.
3. Select "BB 560M" from the list. When pairing is successful, the headset will beep once and the LED will light blue. If a password is required, use "0000".

Once the headset has been successfully pair with another device, it will automatically try to connect to this same device when the headset is powered off and powered on again.

Bluetooth wireless call

When the Bluetooth headset is paired and connected with your mobile phone, you can use the headset to accept phone calls in addition to listening to music.

Outgoing calls

1. To make a new call while using the headset, dial a number as usual. A ringing tone will be heard in the headset and the voice audio and microphone will automatically be switched to the headset. (note that some phones require the switch to be confirmed manually on the screen)
2. To redial the last number, double click the Play/Pause button to dial out the last dialing phone number. (Some mobile phones may only require a single press of the button.)

Answering and hanging up calls

1. When the phone rings, press the Play/Pause button once or press the phone answer key to answer the phone.
2. To reject the call, press and hold the Play/Pause button for 1 second.
3. To end a call, press the Play/Pause button or press the hang up button on the phone screen. After the call ends, any music that was playing prior to the call will resume.

IMPORTANT SAFETY INFORMATION

4. Read these instructions.
5. Keep these instructions.
6. Heed all warnings.
7. Follow all instructions.
8. Do not use this apparatus near water.
9. Clean only with dry cloth.
10. Do not throw this product in the fire, to avoid explosion.
11. Do not expose this product to bright sunshine for a long time.
12. Do not disassemble or modify this product.
13. Please store this product in a clean and dry environment.
14. **WARNING!** To prevent possible hearing damage, do not listen at high volume levels for long periods.



Specification

Version	Bluetooth V5.0
Frequency range	2.402 - 2.480 GHz ISM Band
Wireless transmission standard	Class 2
Channel	79 channels of 1 MHz bandwidth
Connection type	Point-to-point
Transmitting range	10 m (free space)
Frequency response	20 Hz - 20 kHz
Signal to noise ratio	80 dB
Audio power output	2 x 10 mW
Status indication	Red and blue bi-color indicator light
Applicable pairing product	USB Bluetooth adapter, Bluetooth mobile phone, iPad, MID, etc in accordance with HFP, HSP, A2DP, AVRCP Bluetooth protocols
Support decoder	SBC/MP3/ACC
Battery	Polymer lithium-ion battery 3.7 V, 185 mAH
Charging time	2-3 hours
Charging power supply	Computer USB 5 V; charger with output DC 5 V 300 mA
Operating time	About 6 hours (battery saturation state)





FEDERAL COMMUNICATIONS COMMISSION COMPLIANCE INFORMATION

SUPPLIER'S DECLARATION OF CONFORMITY (SDoC)

Behringer

BB 560M

Responsible Party Name: **Music Tribe Commercial NV Inc.**

Address: **5270 Procyon Street
Las Vegas, NV 89118
USA**

Phone Number: **+1 702 800 8290**

FCC-ID: **QWH-MTHP**

BB 560M

This equipment has been tested and found to comply with the limits for a Class B digital device, pursuant to part 15 of the FCC Rules. These limits are designed to provide reasonable protection against harmful interference in a residential installation. This equipment generates, uses and can radiate radio frequency energy and, if not installed and used in accordance with the instructions, may cause harmful interference to radio communications. However, there is no guarantee that interference will not occur in a particular installation. If this equipment does cause harmful interference to radio or television reception, which can be determined by turning the equipment off and on, the user is encouraged to try to correct the interference by one or more of the following measures:

- Reorient or relocate the receiving antenna.
- Increase the separation between the equipment and receiver.
- Connect the equipment into an outlet on a circuit different from that to which the receiver is connected.
- Consult the dealer or an experienced radio/TV technician for help.

Changes or modifications not expressly approved by the party responsible for compliance could void the user's authority to operate the equipment.

This equipment complies with Part 15 of the FCC Rules. Operation is subject to the following two conditions:

- (1) This device may not cause harmful interference, and
- (2) This device must accept any interference received, including interference that may cause undesired operation.

Caution!

The Music Tribe is not responsible for any radio or TV interference caused by unauthorized modifications to this equipment.

Such modifications could void the user authority to operate the equipment FCC RF Radiation Exposure Statement.

FCC RF Radiation Exposure Statement:

- (1) This Transmitter must not be co-located or operating in conjunction with any other antenna or transmitter.
- (2) This equipment complies with FCC RF radiation exposure limits set forth for an uncontrolled environment.

LEGAL DISCLAIMER

Music Tribe accepts no liability for any loss which may be suffered by any person who relies either wholly or in part upon any description, photograph, or statement contained herein. Technical specifications, appearances and other information are subject to change without notice. All trademarks are the property of their respective owners. Midas, Klark Teknik, Lab Gruppen, Lake, Tannoy, Turbosound, TC Electronic, TC Helicon, Behringer, Bugera, Auratone and Coolaudio are trademarks or registered trademarks of Music Tribe Global Brands Ltd. © Music Tribe Global Brands Ltd. 2019 All rights reserved.

LIMITED WARRANTY

For the applicable warranty terms and conditions and additional information regarding Music Tribe's Limited Warranty, please see complete details online at musictribe.com/warranty.