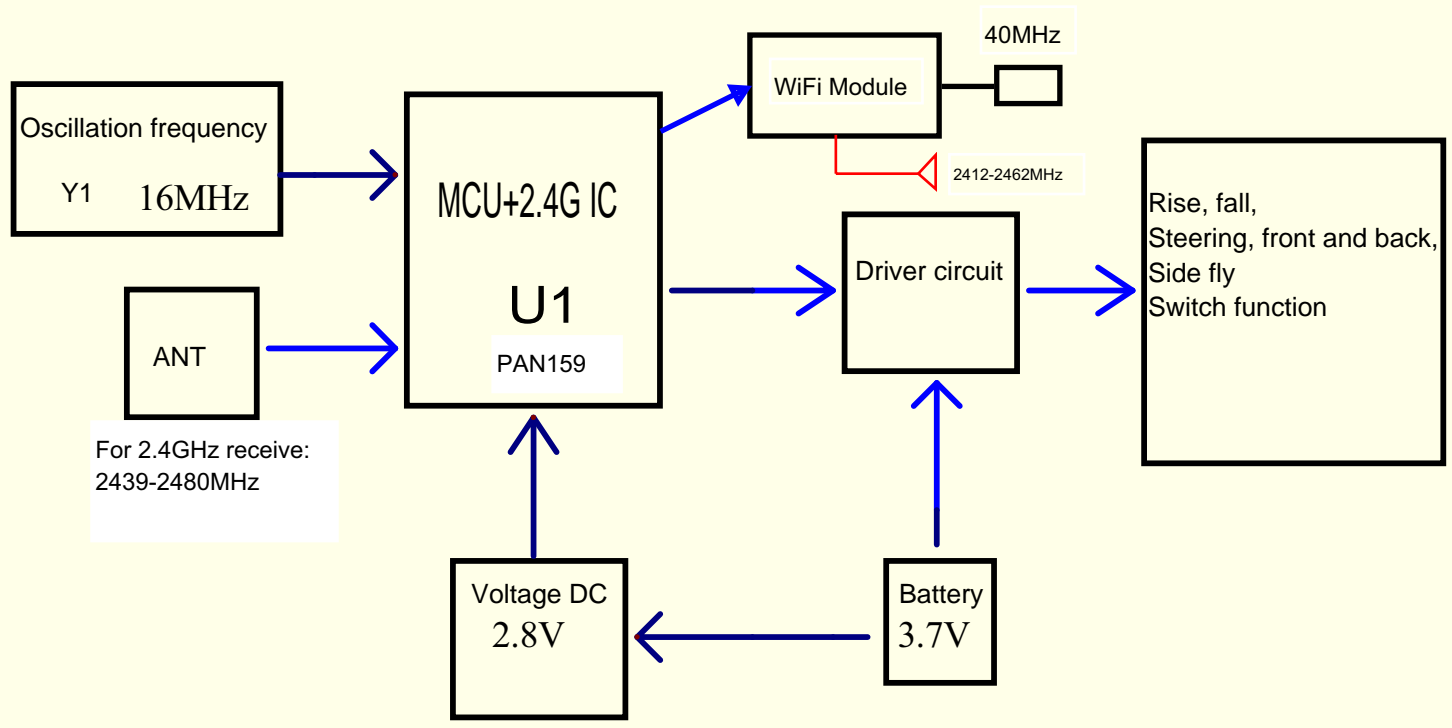


RX Block



Oscillation frequency
Y1 16MHz

ANT

For 2.4GHz receive:
2439-2480MHz

MCU+2.4G IC
U1
PAN159

Voltage DC
2.8V

WiFi Module

40MHz

2412-2462MHz

Driver circuit

Battery
3.7V

Rise, fall,
Steering, front and back,
Side fly
Switch function

Title		
Size	Number	Revision
B		
Date:	26-Jun-2017	Sheet of
File:	E:\equi\星光.DDB	Drawn By: