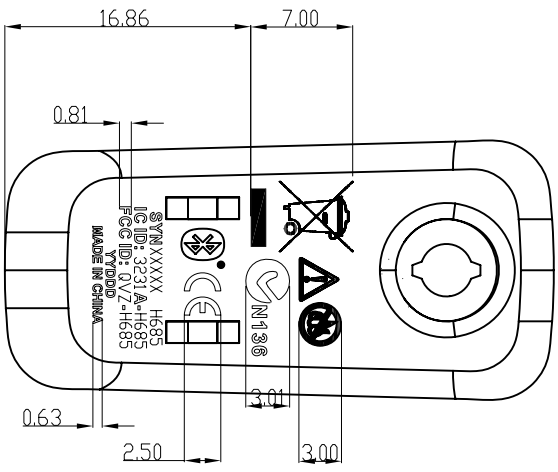


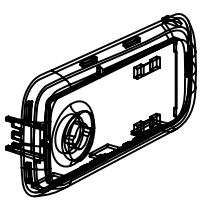
| REVISIONS RECORD | | | | | |
|------------------|-----------------------|------|---------|----------|-----------|
| ZONE | DESCRIPTION | REV. | DATE | ECN. NO. | REDACTOR |
| | LASER ETCHING DRAWING | A0 | 07/0919 | | NASD WANG |

| | | | |
|------------|----------------|------------|-------|
| Model Name | FOXLINK P/N | Kit Number | COLOR |
| H685 | 5890-5392-24F0 | SYN2520B | BLACK |

Harmonia Headset



SCALE 2:1



SCALE: 1:000

| | | | | | |
|-------------------|------------------------|--------------------------------------|--|---------------|--|
| | | CHENG UEI PRECISION INDUSTRY CO.,LTD | | | |
| | | INTENDED USE: | | TITLE: | |
| .X: ±0.20 | X ⁺ ±1.5° | H680 LASER ETCHING | | LASER ETCHING | |
| .XX: ±0.15 | XX ⁺ ±1.0° | APPD.: | | DWG. NO.: | |
| .XXX: ±0.10 | XXX ⁺ ±0.5° | CHKD.: | | H685 "B" KIT | |
| MAT'L.: | | DR.: | | SCALE: 2,000 | |
| SEE NOTES | | NASD WANG | | PAGE: 1/1 | |
| FINISH: SEE NOTES | | | | UNIT: mm | |
| | | | | REV.: A0 | |