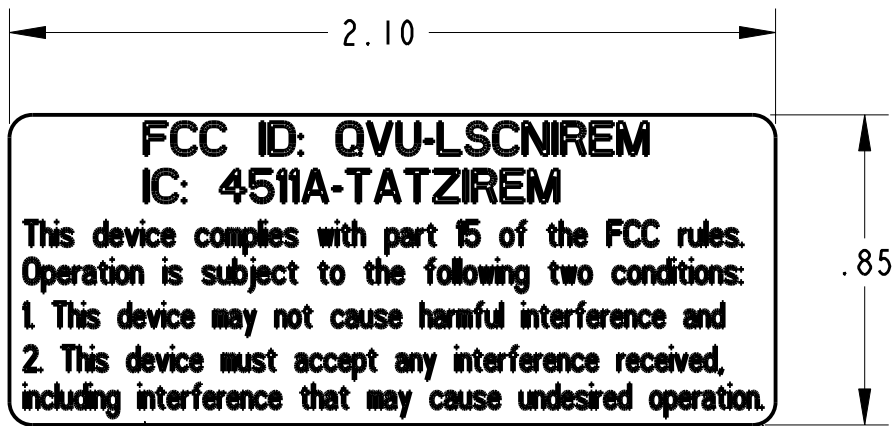


				REVISIONS						
ITEM NO.	PART NUMBER	DESCRIPTION	QTY	ZONE	LTR.	DESCRIPTION	DWN.	DATE	E.O.	CHKD
LIST OF BULK OR MISCELLANEOUS MATERIALS					A	RELEASE TO PRODUCTION	LS	1-29-03	10941	TA



NOTES:

- MATERIAL: LEXAN POLYCARBONATE 8B35, .007" THICK
ADHESIVE: 3M #7952, .002" THICK
COATING: NONE-PRINTING ON BOTTOM SIDE THEREFORE POLYCARBONATE PROVIDES PROTECTION.
- PANTONE COLORS: BACKGROUND = GRAY: 442
LETTERING = RED: 201

THIS FCC STATEMENT MUST BE REPLICATED AS SHOWN.

ITEM NO.	PART NUMBER	DESCRIPTION	QTY
LIST OF MATERIALS			
TITAN <small>TOOL, INC.</small>		107 BAUER DR. OAKLAND, NJ 07436	
DECIMAL .XX = ±.01 .XXX = ±.005	MATERIAL SEE NOTE 1	FINISH	SCALE NONE
DRAWN BY: L. SINSKI		APPROVED BY	
FRACTIONAL ± 1/64	TITLE LABEL, FCC ID #, RF REMOTE		
ANGULAR ± 1°	DATE 29-Jan-03	DRAWN NUMBER 800-679	REV A

This document contains confidential or proprietary information of The Titan Tool Inc. Neither the document nor the information therein is to be reproduced, distributed, used or disclosed either in whole or in part except as specifically authorized by The Titan Tool Inc.

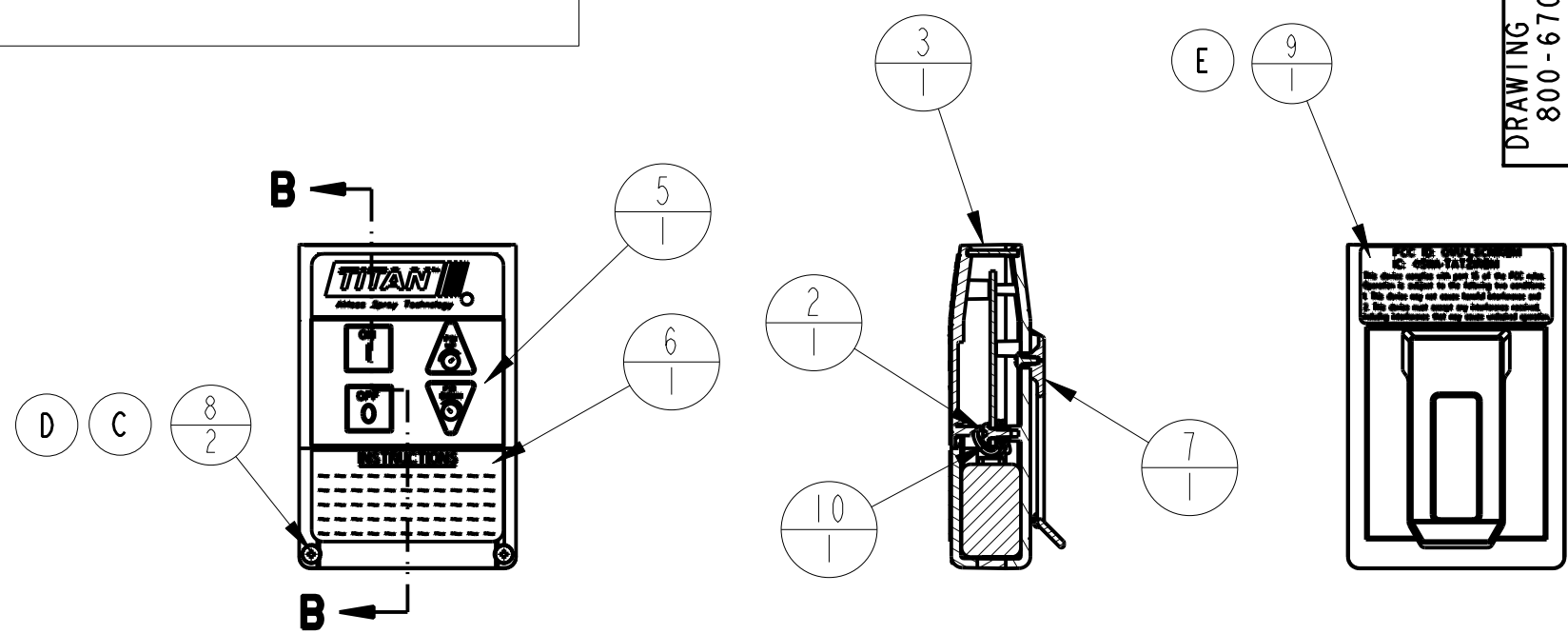
SHEET SIZE: A

800-670
NEXT ASSY.

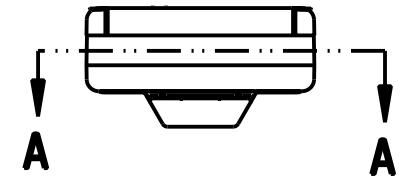
FAMILY TABLE GENERIC NAME:

DRAWING NO
800-670
REV. E

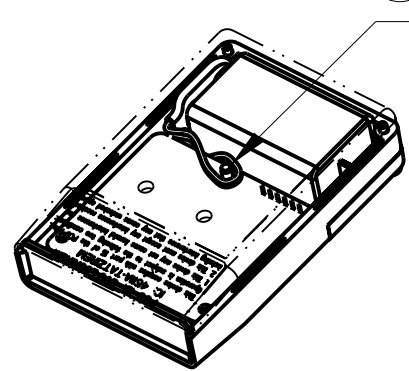
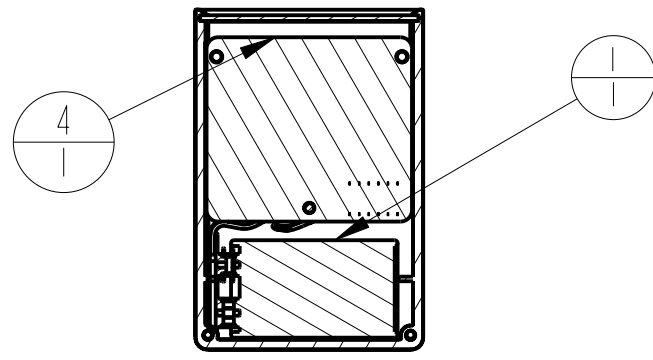
REVISION					
ZONE	LTR.	DESCRIPTION	DWN	DATE	E.O. CHKD
	A	RELEASE AS PROTOTYPE	LS	10-31-02	
	B	RELEASE TO PRODUCTION	LS	11/26/02	10780 TA
	C	SCREW BLACK WAS SILVER (QTY.2); ADDED VIEW TO SHOW BATTERY WIRE STRAIN RELIEF	LS	12/27/02	10847 TA
	D	ADDED P/N 800-678 TO SCREW (#2-56, BLACK)	LS	1/11/03	10896 TA
	E	ADDED P/N 800-679 (LABEL, FCC ID#)	LS	1/30/03	10941 TA



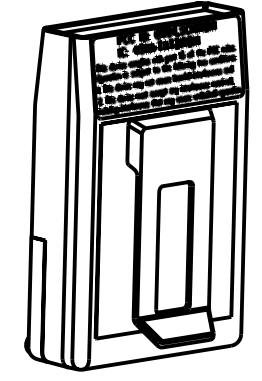
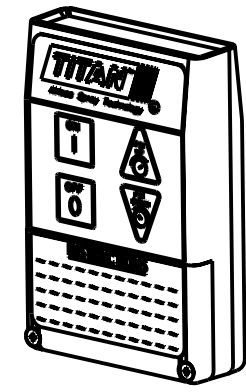
SECTION B-B



SECTION A-A



WRAP BATTERY WIRES AROUND POST AS SHOWN TO CREATE A STRAIN RELIEF



ITEM NO.	PART NUMBER	DESCRIPTION	QTY	ITEM NO.	PART NUMBER	DESCRIPTION	QTY
				10		WASHER, LOCK, INTERNAL TOOTH, #4	1
				9	800-679	LABEL, FCC ID #, RF REMOTE	1
				8	800-678	SCREW, FLATHEAD, #2-56X11/16" SELF-TAP (BLACK)	2
				7	800-676	BELT CLIP	1
				6	800-675	LABEL, INSTRUCTIONS, TRANSMITTER RF	1
				5	800-674	KEYPAD, TRANSMITTER RF	1
				4	800-673	ASSEMBLY, PC BOARD, TRANSMITTER RF	1
				3	800-671	ENCLOSURE, TRANSMITTER RF	1
				2		SCREW, 4-40 X 1/4" LG. SELF-TAP SCREW	1
				1		BATTERY, 9V	1

ITEM NO.	PART NUMBER	DESCRIPTION	QTY
LIST OF BULK OR MISCELLANEOUS MATERIALS			

ITEM NO.	PART NUMBER	DESCRIPTION	QTY
LIST OF MATERIALS			

This document contains confidential or proprietary information of The Titan Tool Inc. Neither the document nor the information therein is to be reproduced, distributed used or disclosed either in whole or in part except as specifically authorized by The Titan Tool Inc.

UNLESS OTHERWISE SPECIFIED	
MACHINED FILLETS .010R - .020R REMOVE BURRS & SHARP EDGES ALL TAPPED HOLES 90° CSK 1ST THD DIMENSIONS APPLY AFTER PLATING	DIMENSIONS ARE IN INCHES TOLERANCES SURFACE ROUGHNESS .XX = ±.010 125 .XXX = ±.005 32 .XXXX = ±.0005 250 FRACTIONS ±1/64 ANGLES ±1/2°
NEXT ASSY	

MATERIAL		
FINISH		
BLANK WGT	SCALE	DATE
LBS	0.500	29-Oct-02

TITAN TOOL INC.		107 BAUER DR. OAKLAND, N.J.07436	
TITLE ASSEMBLY, TRANSMITTER RF, COMPLETE			
DRWN.	L. SINSKI	APPD.	
CHKD.	DATE	DATE	
		DRAWING NUMBER	800-670
		SHT 1 OF 1	REV. E