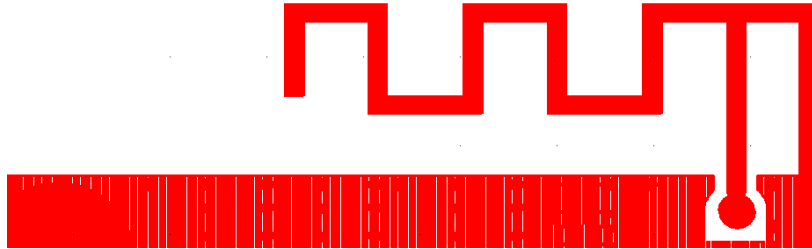


Printed Inverted-F meander Antenna Design for 2.4 Ghz

Model :
BTD T



Features:

- Compact and easy design
- Cost effective
- Omni-directional pattern
- Mixed polarisation
- Wide bandwidth

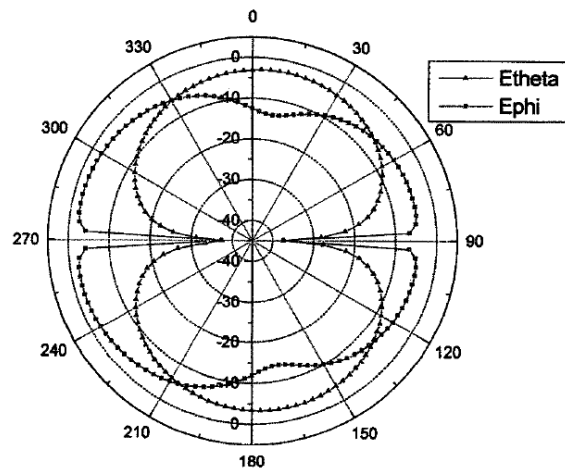
Application:

- WLAN
- Bluetooth
- Other 2.4 Ghz pcb-integrated antenna

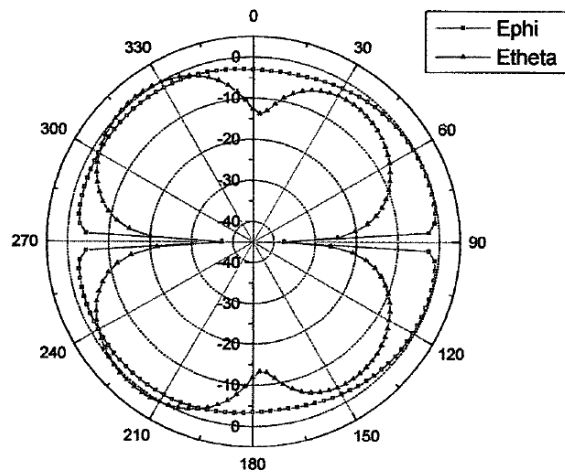
Specifications:

Frequency range	2.4 – 2.5 GHz
Peak gain	2.5 dBi
VSWR	2 max
Impedance	50 Ohms
Return loss S11	- 24 dB

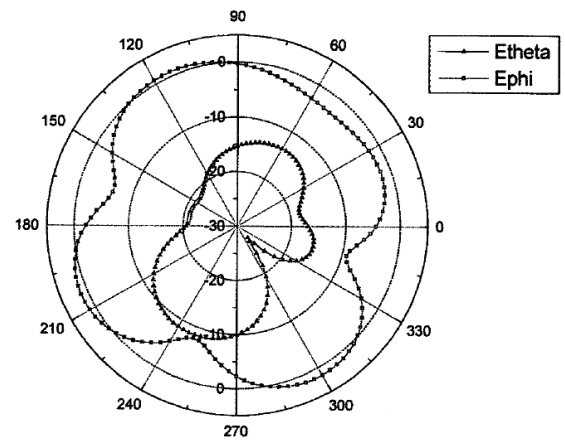
Gain patterns:



X-Z cut gain pattern



Y-Z cut gain pattern



X-Y cut gain pattern