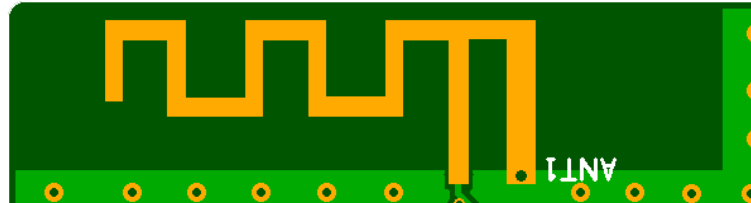


# Printed PCB Antenna Design for 2.4 Ghz

Model : BTD4



## Features:

- Compact and easy design
- Cost effective
- Omni-directional pattern
- Mixed polarisation
- Wide bandwidth

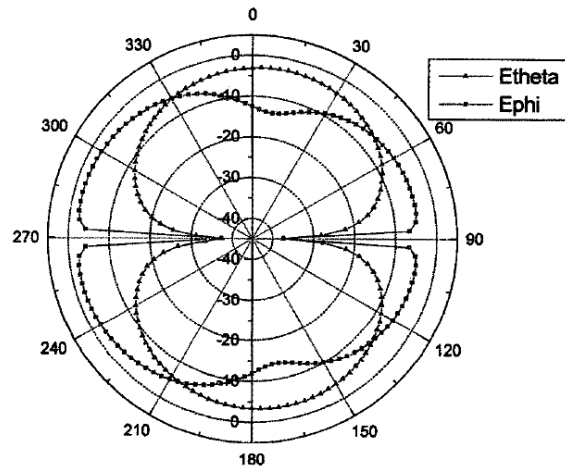
## Application:

- WLAN
- Bluetooth
- Other 2.4 Ghz pcb-integrated antenna

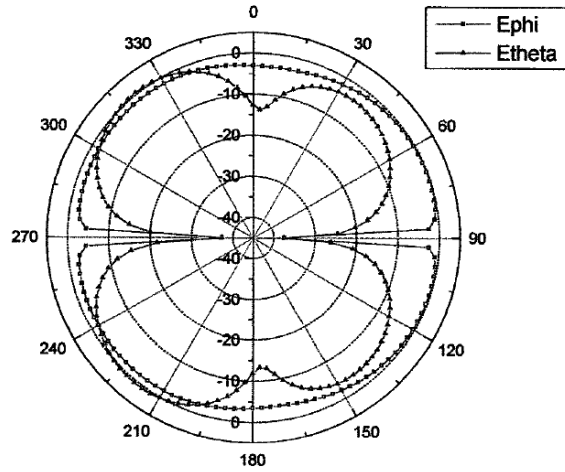
## Specifications:

<b>Frequency range</b>	2.4 – 2.5 GHz
<b>Peak gain</b>	2.5 dBi
<b>VSWR</b>	2 max
<b>Impedance</b>	50 Ohms
<b>Return loss S11</b>	- 24 dB

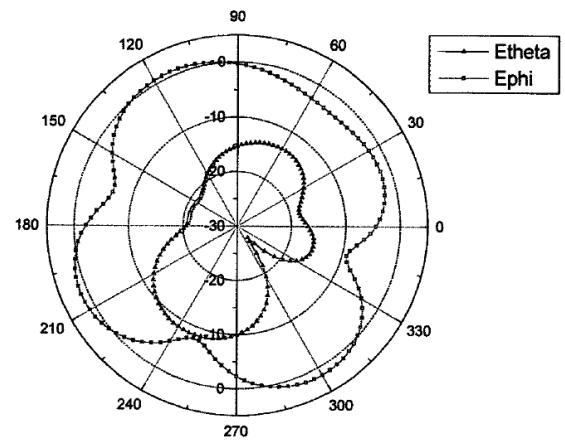
# Gain patterns:



**X-Z cut gain pattern**



**Y-Z cut gain pattern**



**X-Y cut gain pattern**