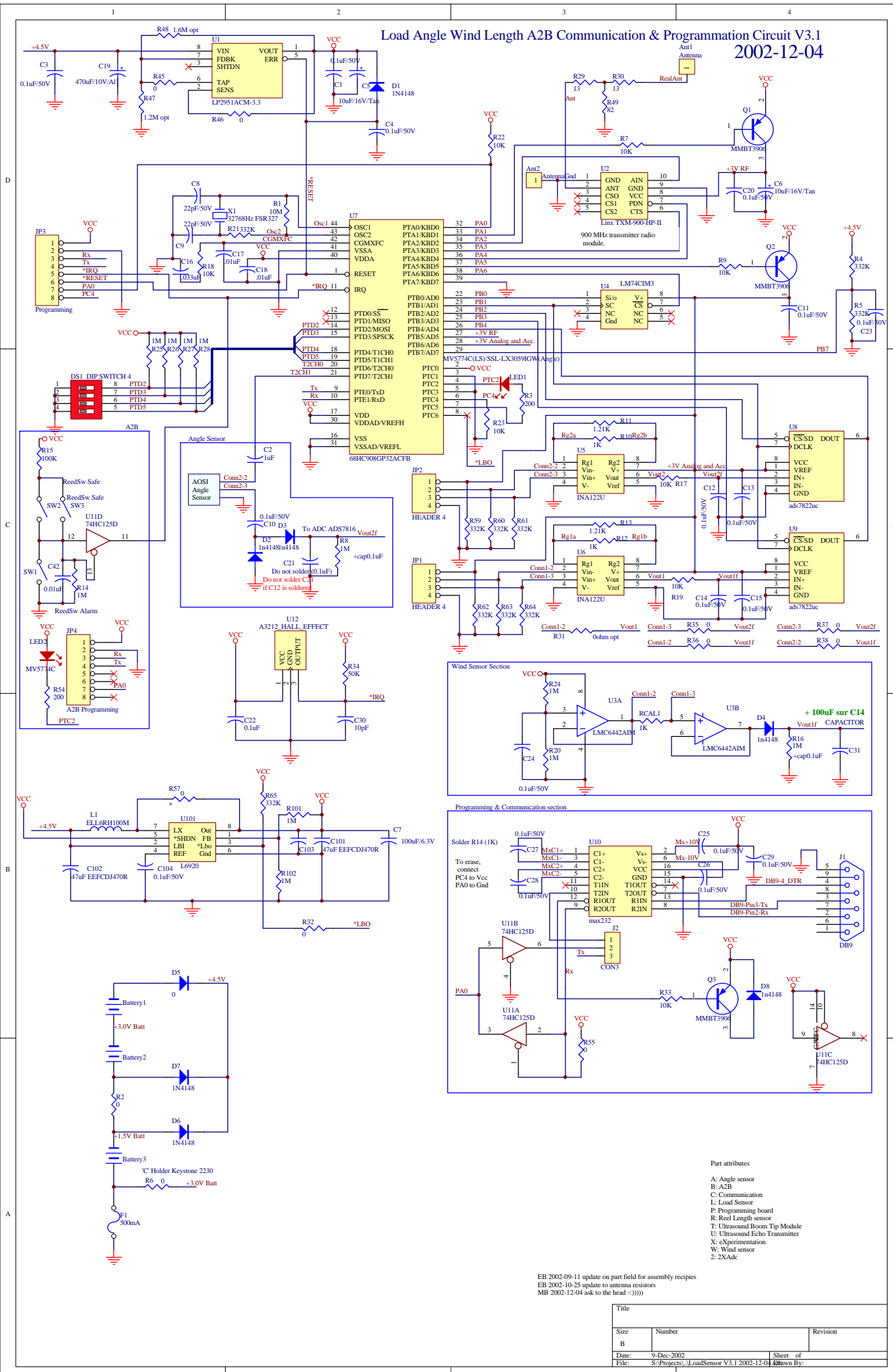


Load Angle Wind Length A2B Communication & Programming Circuit V3.1

2002-12-04



- Part attributes
- A: Angle sensor
 - B: A2B
 - C: Communication
 - L: Load Sensor
 - P: Programming board
 - R: Reed Length sensor
 - T: Ultrasound Boom Tip Module
 - U: Ultrasound Echo Transmitter
 - X: Experimentation
 - W: Wind sensor
 - Z: 2XAdc

EB 2002-09-11 update on part field for assembly recipies
 EB 2002-10-25 update to antenna resistors
 MB 2002-12-04 ask to the head - :)))

Title		
Size	Number	Revision
B		
Date:	9-Dec-2002	Sheet of
File:	S:\Projects\...LoadSensor V3.1 2002-12-04.dwh	By: