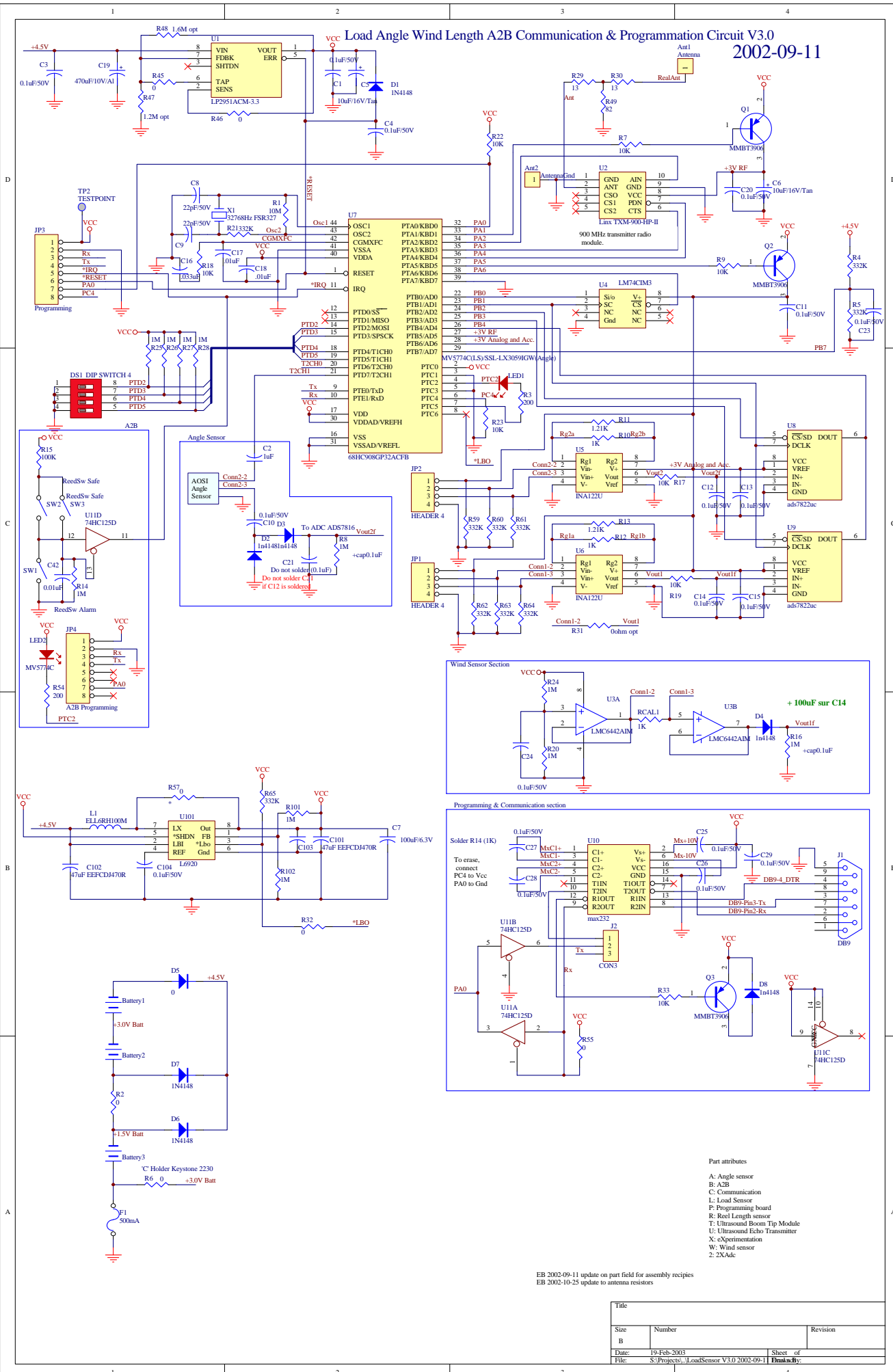


Load Angle Wind Length A2B Communication & Programmation Circuit V3.0

2002-09-11



- Part attributes
- A: Angle sensor
 - B: A2B
 - C: Communication
 - L: Load Sensor
 - P: Programming board
 - R: Reed Length sensor
 - T: Ultrasound Boom Tip Module
 - U: Ultrasound Echo Transmitter
 - X: Experimentation
 - W: Wind sensor
 - Z: 2XAdc

EB 2002-09-11 update on part field for assembly recipes
 EB 2002-10-25 update to antenna resistors

Title		
Size	Number	Revision
B		
Date:	19-Feb-2003	Sheet of
File:	S:\Projects\LoadSensor V3.0 2002-09-11	Drawn by: