

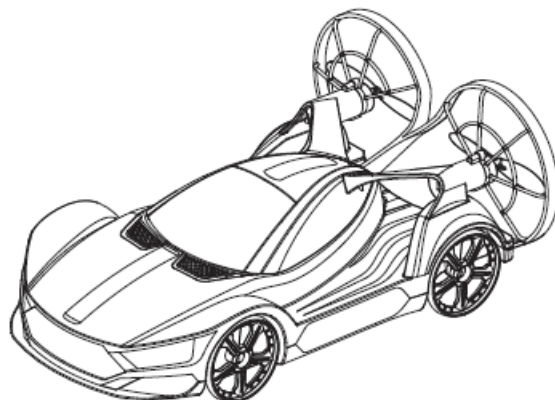


8+

**24G** 

# **TG1005**

Remote-controlled car vehicle



## **User Manual**

Accreditation standard: GB/T26701-2011

### **Main features**

- Modular design for easy installation and maintenance.

The materials, specifications, parts and packaging mentioned in this manual are for reference purposes only. We are not responsible for any changes made to this printed material, nor are we able to inform customers of any updates or changes. Please refer to the SYMA Toys website for the latest information.

## Important safety information

---

Thank you for purchasing this SYMA product. To ensure that you operate the product correctly, please read these instructions carefully before first use and store them in a safe place for future reference

### Safety information

- \* Keep the smaller-sized accessories out of the reach of children.
- \* This product has a powerful motor. Before using it for the first time, read the detailed instructions in the user manual to avoid the risk of collisions or damage due to improper use.
- \* When the ended, switch off the remote control before switching off the power on the Remote-controlled car.
- \* Do not store the battery in a hot environment (e.g. near open flames or a heating device).
- \* Children must be supervised by an adult when operating the Remote-controlled car. The Remote-controlled car should always remain within the line of sight of the driver (or instructor).
- \* When installing or changing the batteries in the remote control, ensure that they are connected in the correct polarity. Do not mix old and new batteries or different types of batteries.
- \* After use, ensure that the Remote-controlled car and remote control are switched off and remove the batteries in the remote control.
- \* If you do not plan to use the Remote-controlled car for at least 10 days, discharge the battery to 40%-50% (i.e. if the battery is fully charged, travel the Remote-controlled car for half of the total travel time). This helps to prolong the lifespan of the battery.
- \* You must only use the recommended transformer for this model. The transformer is not a model. Disconnect the model from the transformer or charger before cleaning with cleaning fluid. Regularly inspect the transformer's wires, plug socket, outer casing and other accessories to ensure that they are not damaged. If there are any signs of damage, discontinue use immediately until the fault has been repaired.
- \*The packaging and this manual contain important information and should be kept in a safe place for future reference.
- \*Do not look directly at the laser beam.

## Repair and maintenance

- Clean the product regularly with a clean, soft cloth.
- Avoid exposing the product to direct sunlight or heat.
- Do not submerge the product in water, as this may damage the electrical components.
- Regularly inspect the propellers, motor and battery. If there are any signs of damage, discontinue use immediately until the fault has been repaired.

## Specifications

### · Quadcopter

Weight	Approx. 85 g
Length	195 mm
Width	134 mm
Height	82 mm
Drive time	Approx. 15 mins
Operating conditions	0 to 40 °C
Motor	8520
battery	3.7 V, 450 mAh
Charging time	Approx. 50 hour

### · Remote control

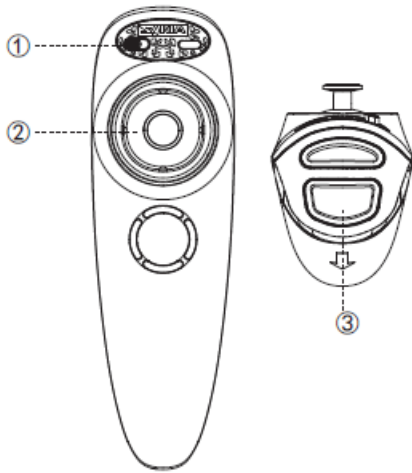
Operating frequency	2.4 GHz
Range	Approx. 30 m
Operating conditions	0 to 40 °C
Battery	AAA batteries

## Package contents

Quadcopter	1
Remote control	1
USB charging cable	1
User manual	1

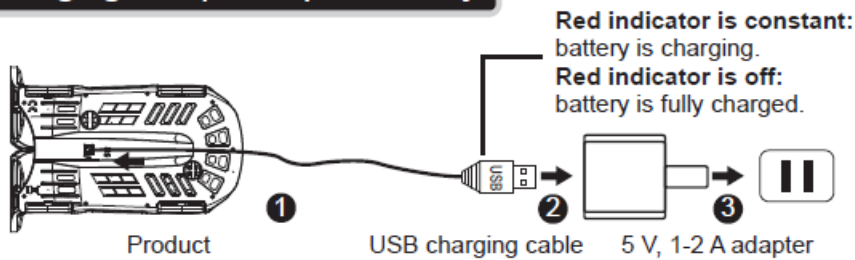


## Remote control



- ① Power switch
- ② Joystick  
ove the joystick to  
move Back or forwards,  
left or right.
- ③ Forward acceleration  
button

## Charging the quadcopter battery

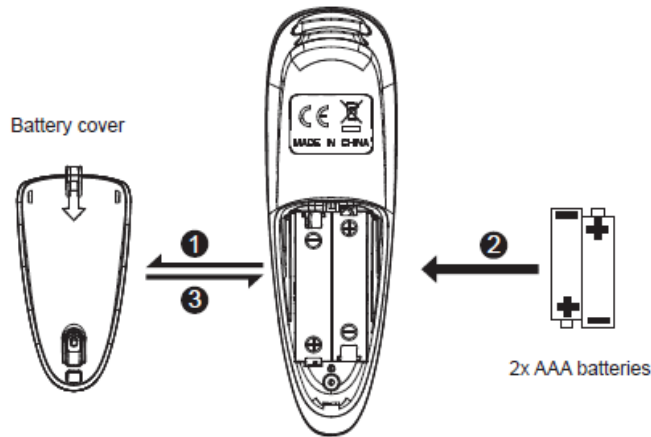


\* Charge the quadcopter with the USB charging cable that came with the product.



- \* Do not short circuit or compress the battery, as this may cause an explosion.
- \* Do not dismantle the battery or store it in a hot environment.
- \* If you do not plan to use the Remote-controlled car for at least 10 days, discharge the battery to 40%-50%. This helps to prolong the lifespan of the battery.
- \* When charging the battery, always provide adult supervision and keep the battery away from flammable materials.
- \* Rechargeable batteries are to be removed from the toy before being charged.
- \* Exhausted batteries are to be removed from the toy.

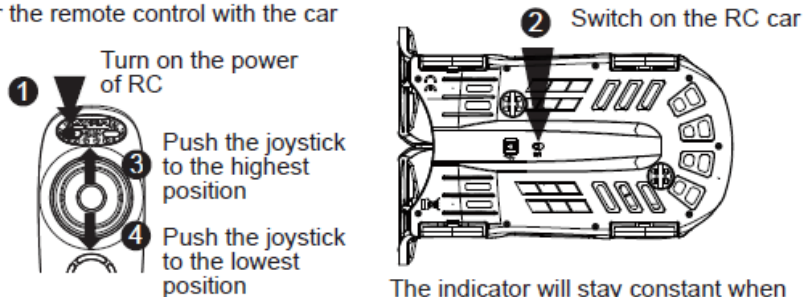
## Inserting the remote control batteries



- \* When installing the batteries, ensure that you match the + and – ends of the battery with the + and – signs on the controller.
- \* Do not mix old and new batteries or different types of batteries.
- \* Do not use rechargeable batteries.

## Preparing the remote-controlled car for driving

Pair the remote control with the car

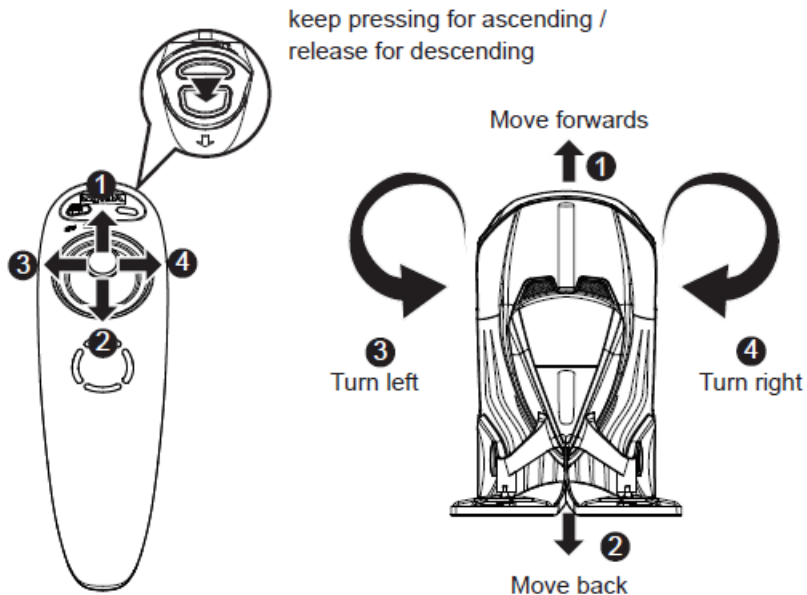


The indicator will stay constant when pairing is complete.



When you switch on the remote control, the indicator will flash rapidly for approximately 20 secs to indicate that the remote control is waiting for a signal. The indicator will then flash slowly to indicate that pairing mode has been disabled.

## Controlling the RC car



## Product features



Overcurrent protection

If the quadcopter's blades collide with another object or become stuck, the quadcopter's circuit will engage the overcurrent protection mechanism.

Warning: Changes or modifications to this unit not expressly approved by the party responsible for compliance could void the user's authority to operate the equipment.

NOTE: This equipment has been tested and found to comply with the limits for a Class B digital device, pursuant to Part 15 of the FCC Rules. These limits are designed to provide reasonable protection against harmful interference in a residential installation. This equipment generates, uses and can radiate radio frequency energy and, if not installed and used in accordance with the instructions, may cause harmful interference to radio communications. However, there is no guarantee that interference will not occur in a particular installation. If this equipment does cause harmful interference to radio or television reception, which can be determined by turning the equipment off and on, the user is encouraged to try to correct the interference by one or more of the following measures:

- Reorient or relocate the receiving antenna.
- Increase the separation between the equipment and receiver.
- Connect the equipment into an outlet on a circuit different from that to which the receiver is connected.
- Consult the dealer or an experienced radio/TV technician for help.

"This device complies with FCC radiation exposure limits set forth for general population (uncontrolled exposure). This device must not be collocated or operating in conjunction with any other antenna or transmitter."

RF frequency band : 2409-2475MHz

Transmitter power : 2.13dBm (Max.)

Sold to EU country

product name: [AEROSPEED]

model number: [TG1005]

Brand name :SYMA

Contact person: Ivan

Tel: +86-0754-86381701

Hereby, [GUANGDONG SYMA MODEL AIRCRAFT INDUSTRIAL CO., LTD], declares that this [AEROSPEED] is in compliance with the essential requirements and other relevant provisions of Directive 2014/53/EU.

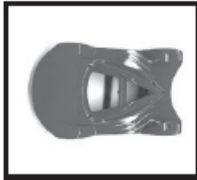
The full text of the EU declaration of conformity is available at the following internet address:

<http://www.symatoys.com/down/declaration-of-conformity.html>

SIMPLIFIED EU DECLARATION OF CONFORMITY

## Accessories (available separately)

The following section contains a list of optional accessories that are available to purchase. Accessories can be purchased from your local retailer. Please indicate your preferred colour when making your purchase.



Upper main unit



Main unit cover



Lower body



Wheels



Propeller blade A



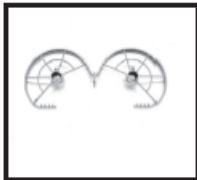
Propeller blade B



Motor Block A



Motor Block B



protector



Lights



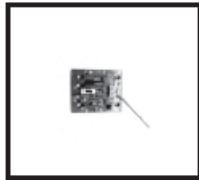
Motor A



Motor B



Battery



Receiver board



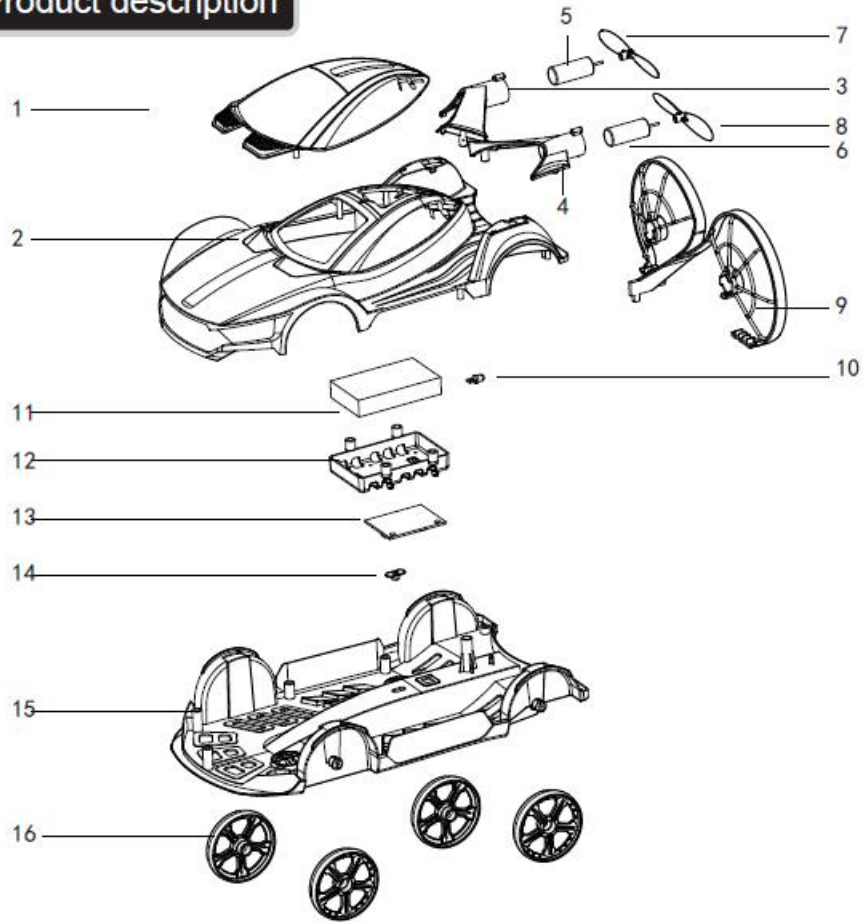
USB charging cable



Remote control



## Product description



Serial number	Component/ Part Name	Quantity	Serial number	Component/ Part Name	Quantity	Serial number	Component/ Part Name	Quantity
01	Main unit cover	4	07	Propeller blade A	1	13	Receiver board	2
02	Upper main unit	4	08	Propeller blade B	2	14	power switch	1
03	Motor Block A	1	09	protector	2	15	Lower body	1
04	Motor Block A	B	10	Lights	1	16	Wheels	
05	Motor A	1	11	Battery	4			
06	Motor B	1	12	Receiver board Base	2			