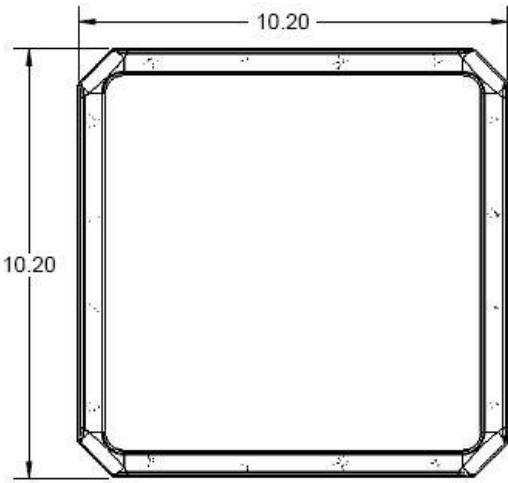
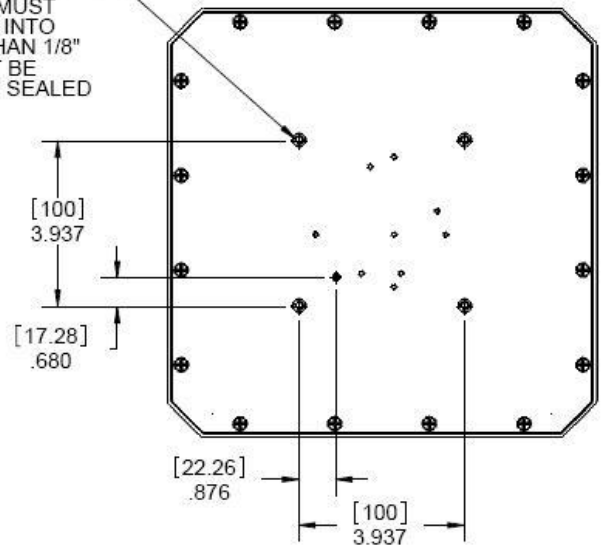


8 7 6 5 4 3 2 1

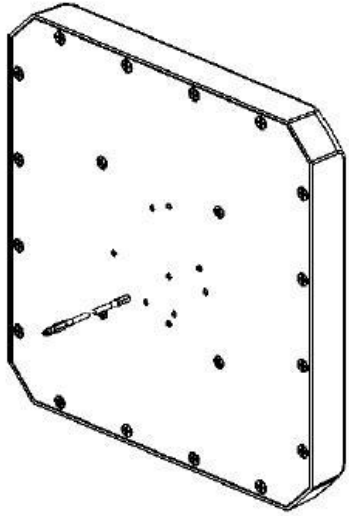
REVISIONS				
REV.	ECR #	DESCRIPTION	CHANGED BY/DATE	APPROVED BY/DATE
1		PRELIMINARY RELEASE	S.J. 06-19-2007	S.J. 06-19-2007
2		ADDED PIGTAIL LENGTH TO CHART	S.J. 07/17/2007	S.J. 07/17/2007
3		AXIAL RATIO WAS 1.5 dB max., Max. VSWR Free Space WAS 1.22:1, REMOVED Max. VSWR Ground at 1.5 Meters	S.J. 09/14/07	S.J. 09/14/07



4X M5X0.8 PEM NUT MATING SCREW MUST NOT PROTRUDE INTO HOUSING MORE THAN 1/8" UNIT WILL NOT BE ENVIRONMENTALLY SEALED



Parameter	Performance
Antenna Part Number	S8658WPR
Frequency	865-956 MHz
Gain	6 dBil max.
Axial Ratio	2 dB
Nominal Impedance	50 Ohm
Polarization	RHCP
Max. VSWR Free Space	1.4:1
Horizontal 3 dB Beamwidth	65 Degree
Vertical 3 dB Beamwidth	65 Degree
Front to Back Ratio	18 dB
Pigtail Length	24"
RF Connector	MMCX
Power	2 Watts
Weight	2.5 lbs
RoHS	Compliant
Transport Vibration	IEC-68 series
Environmental	IP54
UV Rating	F2 per UL 746C



MATERIAL:	NIA	THIRD ANGLE PROJECTION	
FINISH:	NIA	DO NOT SCALE DRAWING	
APPROVALS	DATE	INTERPRET DIMENSIONING AND TOLERANCING IN ACCORDANCE WITH ASME Y14.5M-1994	
DRAWN BY: S JOHNSON	06-19-07	TOLERANCES UNLESS OTHERWISE SPECIFIED	
PROJ. ENG.		DIMENSIONS ARE IN INCHES	
ENG. MGR.		FRACTION: ±1/64	
		ANGLE: ±30'	
		1 PLACE DECIMAL: ±0.1	
		2 PLACE DECIMAL: ±0.01	
		3 PLACE DECIMAL: ±0.005	
		SURFACE ROUGHNESS: √	

© REGISTERED USA, INCORPORATED, IN OHIO U.S.A.

**S8658WPR
MOUNTING & OUTLINE**

SIZE	DWG. NO.	REV
B	S8658WPR	3

SCALE: 1:3 PREVIOUS# SHEET 1 OF 1

The component(s), including any plating or coatings, supplied per this drawing must be compliant with EU Directive 2002/95/EC (RoHS Directive).

UNLESS OTHERWISE NOTED, THIS DOCUMENT CONTAINS CUSHCRAFT CONFIDENTIAL INFORMATION. REPRODUCTION, USE, DISCLOSURE OR TRANSMITTAL OF ALL OR ANY PART OF THIS DOCUMENT IS PROHIBITED EXCEPT TO THE EXTENT APPROVED IN WRITING BY AN AUTHORIZED REPRESENTATIVE OF CUSHCRAFT CORPORATION. CUSHCRAFT RESERVES ALL RIGHTS UNDER PATENTS, TRADEMARKS, COPYRIGHTS AND TRADE SECRETS. COPYRIGHT, CUSHCRAFT CORPORATION 2007. ALL RIGHTS RESERVED.

8 7 6 5 4 3 2 1