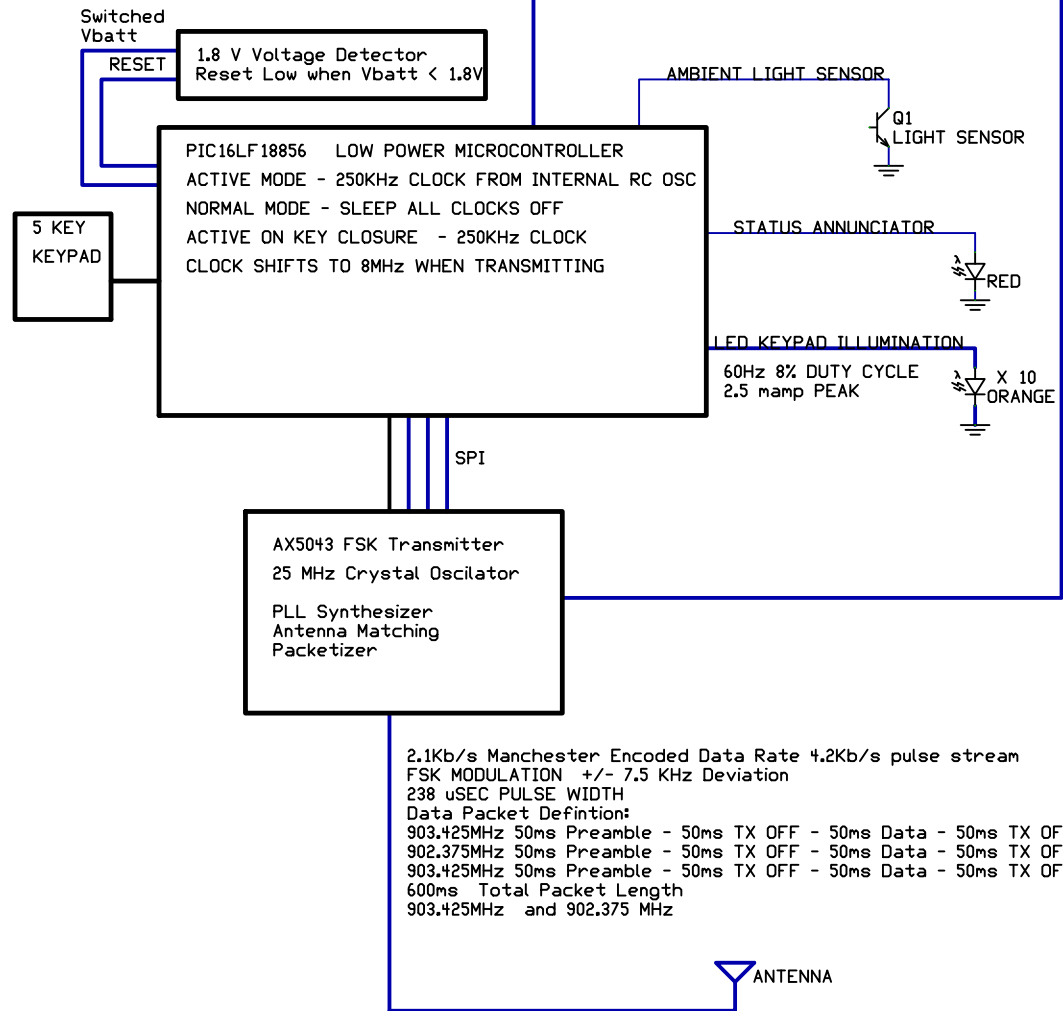


3VOLT POWER
CR2032H LITHIUM COIN CELL

3.0 VOLT



Co:	ENTERPRISE ELECTRONICS	
Title:	WIRELESS KEYPAD BLOCK	
Board:	LRL071BLK.SCH	Revision: A
Author:	D. Pearson	Size: A
Date:	6/4/2018	Sheet 1 of 1