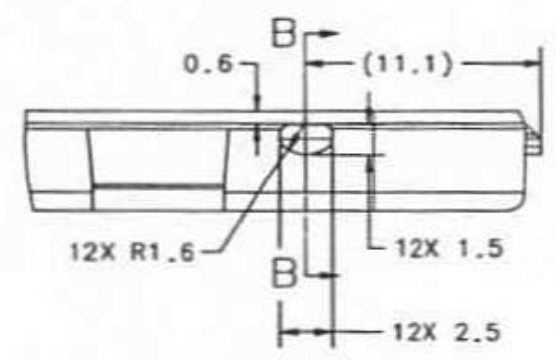
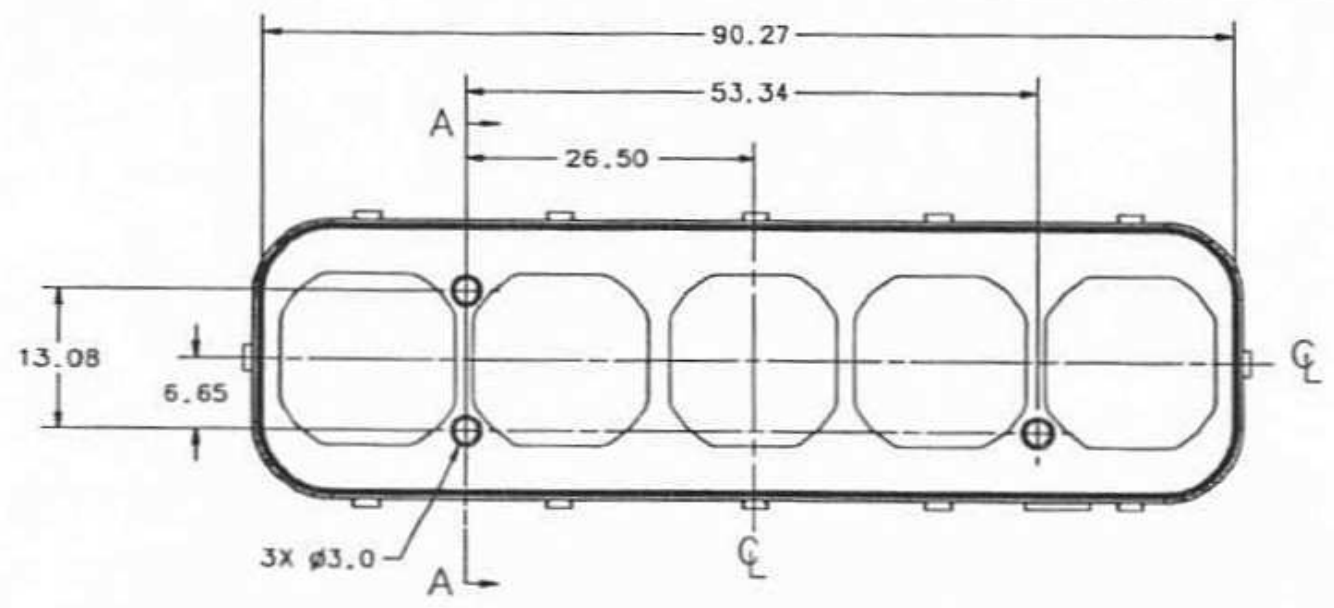
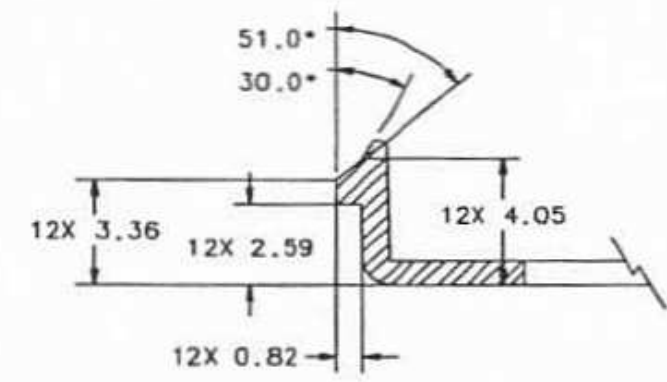
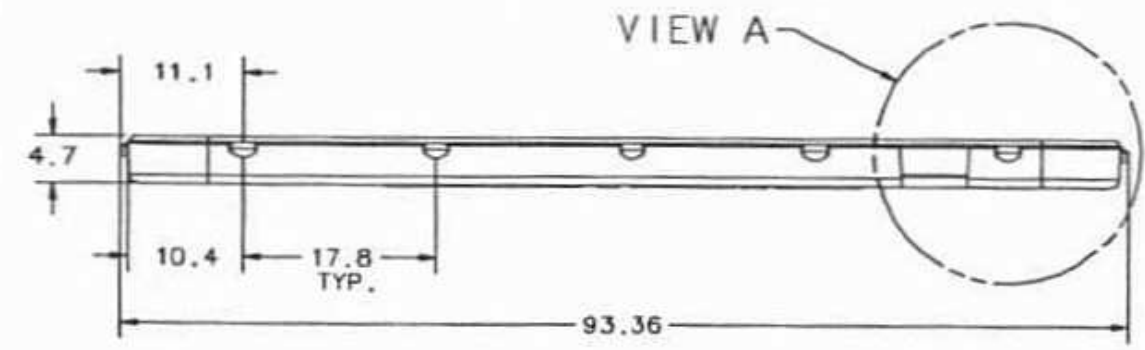


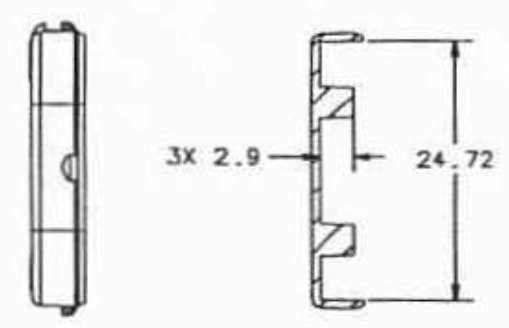
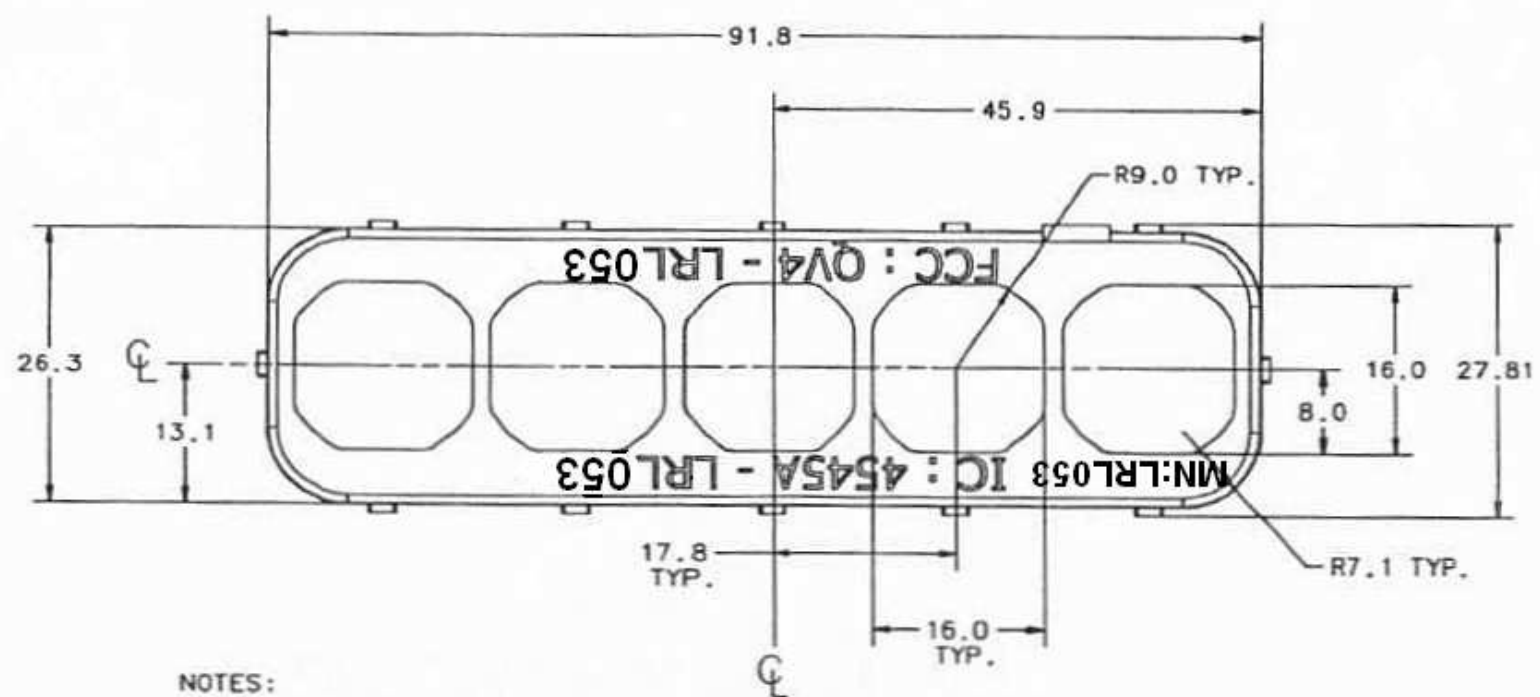
ECL	DATE	REVISION	ENG
1	070307	RELEASED FOR PRELIMINARY PRODUCTION	FL
2	071313	ID Updated	DP



VIEW A  
SCALE 4:1



SECTION B-B  
SCALE 6:1



SECTION A-A

NOTES:

1. TOLERANCE ON ALL DIMENSIONS TO BE GENERAL TOLERANCES UNLESS OTHERWISE SPECIFIED
2. ALL RADII DIMENSIONS TO BE GENERAL TOLERANCES UNLESS OTHERWISE SPECIFIED
3. DRAFT ANGLES TO BE GENERAL TOLERANCES UNLESS OTHERWISE SPECIFIED
4. PARTING LINES, GATING, EJECTOR PIN LOCATIONS AND COOLING LINES TO BE APPROVED BY ENTERPRISE ELECTRONICS
5. PART MUST BE CLEAN AND FREE OF FLASH MISMATCH
6. MATERIAL: -TICONA POM M270 (WSK-M4D635-A3)  
-COLOR: BLUE  
-REGRIND 'NONE'  
-PART PROCESSING TO BE APPROVED BY ENTERPRISE ELECTRONICS  
-MATERIAL MUST BE PROCESSED IN ACCORDANCE WITH TICONA PROCESSING GUIDELINES

TOLERANCE UNLESS SPECIFIED  
X.X - ±0.25 X,XX - ±0.15  
ANGULAR - ±1°



CHK'D	REF		
DESIGN R.GRITZ	NUMBER LRL-0002-002-FORD		
DETAIL R.GRITZ	NAME KEYPAD-BUTTON RETAINER		
DATE 050216	UNIT	CAD TYPE I-DEAS	SHT OF 1 1
SCALE 2:1			