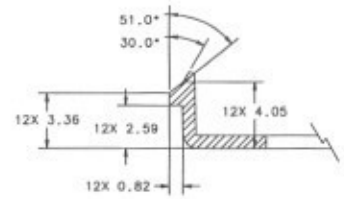
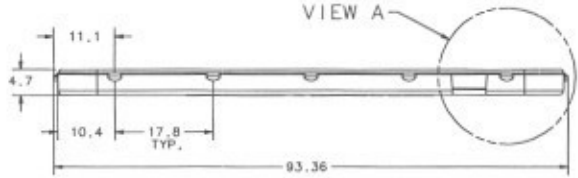
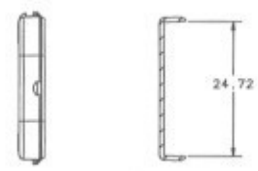
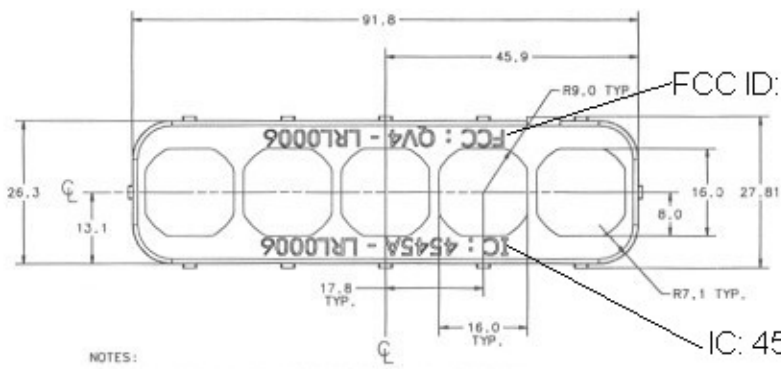


VIEW A
SCALE 4:1



SECTION B-B
SCALE 6:1



SECTION A-A

FCC ID: QV4-LRL0006

IC: 4545A-LRL0006

NOTES:

1. TOLERANCE ON ALL DIMENSIONS TO BE GENERAL TOLERANCES UNLESS OTHERWISE SPECIFIED
2. ALL RADIUS DIMENSIONS TO BE GENERAL TOLERANCES UNLESS OTHERWISE SPECIFIED
3. DRAFT ANGLES TO BE GENERAL TOLERANCES UNLESS OTHERWISE SPECIFIED
4. PARTING LINES, GATING, EJECTOR PIN LOCATIONS AND COOLING LINES TO BE APPROVED BY ENTERPRISE ELECTRONICS
5. PART MUST BE CLEAN AND FREE OF FLASH MISMATCH
6. MATERIAL: -TICONA POM M270 (WSK-M4D635-A3)
-COLOR: BLUE
-REGRIND: NONE
-PART PROCESSING TO BE APPROVED BY ENTERPRISE ELECTRONICS
-MATERIAL MUST BE PROCESSED IN ACCORDANCE WITH TICONA PROCESSING GUIDELINES

TOLERANCE UNLESS SPECIFIED
X.X = ±0.25 X,XX = ±0.15
ANGULAR = ±1°

ECL	DATE	REVISION	ENG
1	070307	RELEASED FOR PRELIMINARY PRODUCTION	FL



DW'D	REF		
DESIGN	NUMBER	LRL-0002-002-FORD	
DETAIL	NAME	KEYPAD-BUTTON RETAINER	
DATE	050216		
SCALE	2:1	UNIT	
		CAD TYPE	1-DEAS
		SHT	1
		OF	1