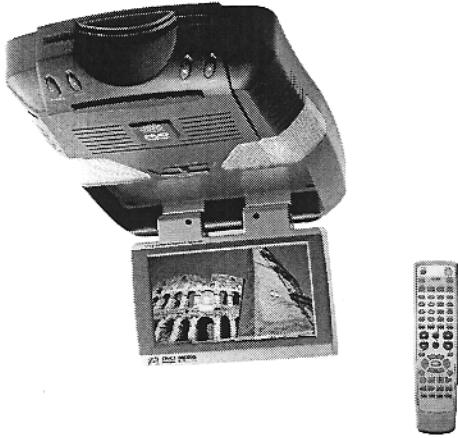


DA-150



Installation Guide

Important Notice

It is unlawful in most jurisdictions for a person to drive a motor vehicle which is equipped with a television viewer or screen that is located in the motor vehicle at any point forward of the back of the driver's seat, or that is visible directly to the operator of the motor vehicle.

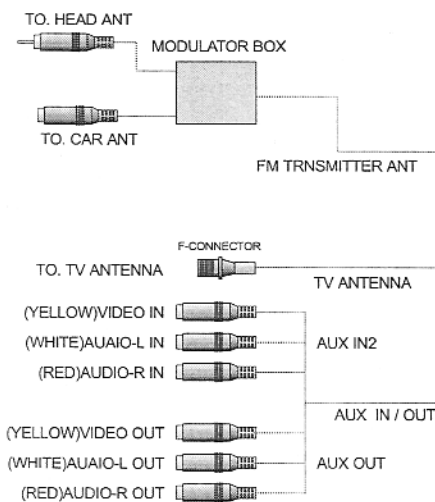
Precautions

If possible, this equipment should be professionally installed. In case of difficulty, please consult with your nearest professional installer.

1. This unit only operates in a 12 volt DC negative ground system.
2. Before performing installation and wiring, remove the negative(-) terminal of battery.
3. Follow the wiring connection diagram carefully to avoid causing damage to the unit.
4. Insulated all exposed wires to prevent short circuits.
5. Secure all loose wires after installing the unit.
6. Please carefully read the operating and installation instructions of any equipment connected to this unit
7. Be sure to turn the power off before wiring.
8. Be particularly careful where you route the wires. Keep them well away from the engine, and exhaust pipe, etc. Heat may damage the wires.

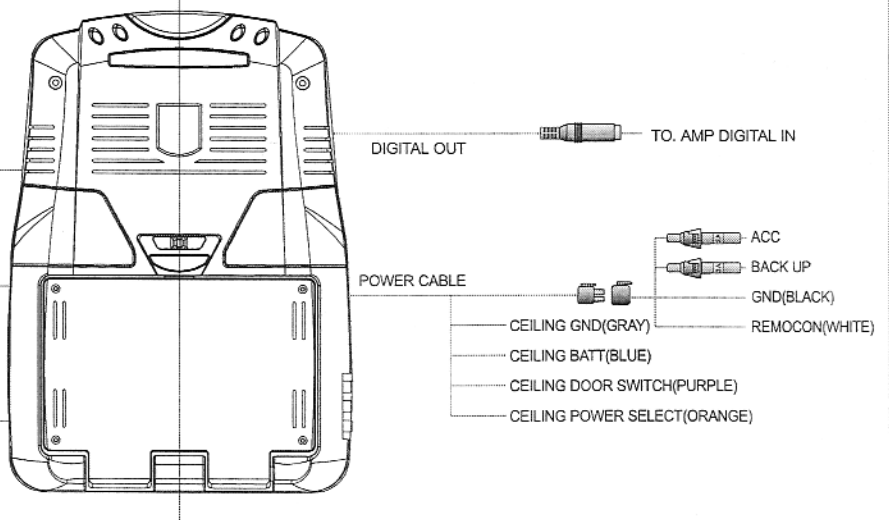
Installation Guide

Installation

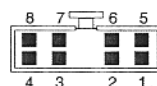


Installation Guide

Installation



Power Connector



- | | |
|----------------------------------|--------------------------|
| 1. ACC (RED) | 5. BACK UP (YELLOW) |
| 2. GND (BLACK) | 6. REMOCON (WHITE) |
| 3. CEILING GND (GRAY) | 7. CEILING DOOR (PURPLE) |
| 4. CEILING POWER SELECT (ORANGE) | 8. CEILING BATT (BLUE) |

Installation Guide

Installation

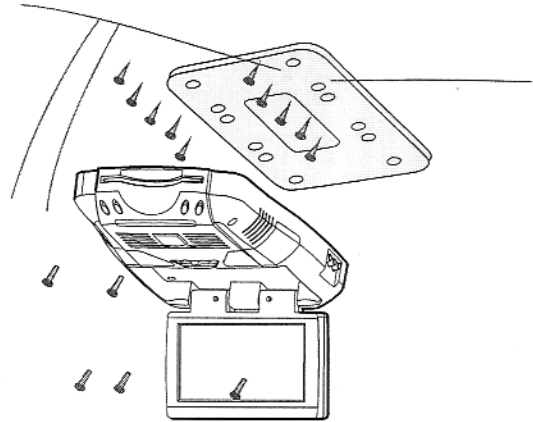
1. Connect Power Cable (4PIN) to ACC,BATT,GND.
2. Remote Controller Wire of Power Cable is to be connected to the Input Terminal of the external product having Remote Controller Input Function
3. The wire for Room Lamp will be connected to the three wire (CEILING GND, CEILING BATT, DOOR SW) in vehicle.

Special Note :

- The connecting method is different with type of vehicle.
 - When CEILING DOOR wire is POSITIVE, CEILING POWER SELECT wire is to be connected to CEILING GND wire.
 - When CEILING DOOR wire is GND, CEILING POWER SELECT wire is to be connected to CEILING BATT wire.
4. Digital output cable is to be connected to Digital Input Terminal of the external Digital Amplifier.
 5. Aux Out Cable is to be connected to Aux In Terminal of the external device by RCA cable.
 6. Aux In Cable is to be connected to Aux Out Terminal of the external device by RCA cable.
 7. Optional TV Antenna Cable is to be connected to TV Antenna. (F-connector type)
 8. FM Modulator Cable is to be connected to Radio Antenna Input Terminal of the external Head Unit and Radio Antenna.

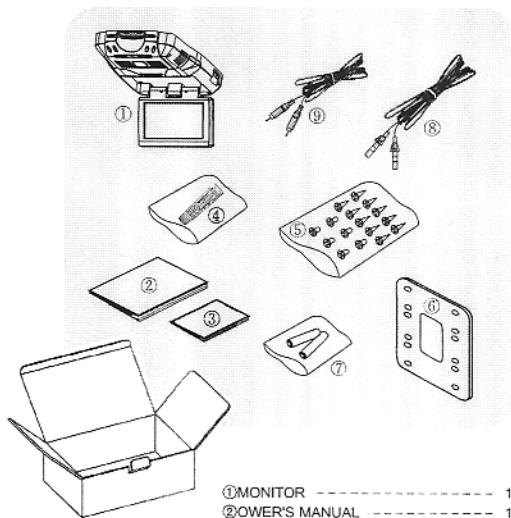
Installation Guide

Installation



Installation Guide

Components

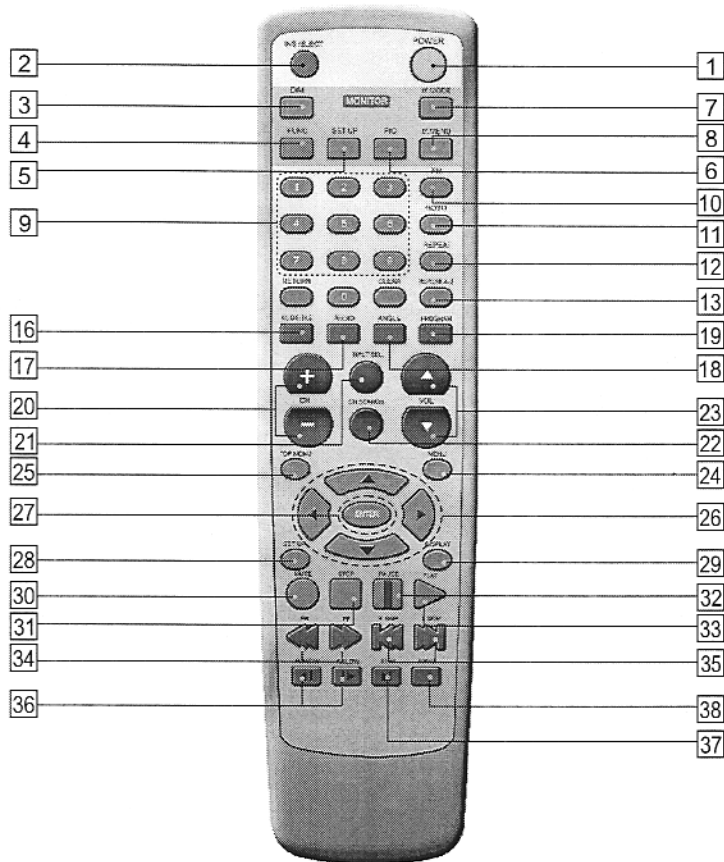


①MONITOR	-----	1
②OWNER'S MANUAL	-----	1
③INSTALLATION GUIDE	-----	1
④REMOTE CONT. UNIT	-----	1
⑤INSTALLATION KIT	-----	
& SCR M4 × 14	-----	10
& SCR M4 × 18	-----	5
⑥MOUNTING BRACKET	-----	1
⑦BATTERY	-----	2
⑧ASSY RCA COAXIAL CABLE	-----	1
⑨ASSY POWER CABLE	-----	1

Memo

Identifications of controls

• Remote Controller



Identifications of controls

1. Power On/Of Button
2. Insert/Eject Button

● **Monitor Part**

3. Dimmer Button
4. Function Button
5. Set Up Button
6. Picture Button
7. Monitor Mode Button
8. Monitor Menu Button

● **DVD part**

9. Number Buttons
10. FM Transmitter Button
11. Go To Button
12. Repeat Button
13. Repeat A-B Button
14. Return Button
15. Clear Button
16. Sub Title Button
17. Audio Button
18. Angle Button
19. Program Button
20. Channel Up/Down Buttons
21. Input Select Button
2. Channel
22. Channel Search Button
23. Volume Control Button(DVD Only)
24. MENU Button
25. Top MENU Button
26. Direction Key Button
(UP/DOWN or LEFT/RIGHT Buttons)
27. ENTER Key Button
28. SETUP Button
29. DISPLAY Button
30. Mute Button
31. STOP Button
32. PAUSE Button
33. PLAY Button
34. SEARCH Buttons (FF, FR)
35. SKIP Buttons (R.SKIP/ F.SKIP)
36. SLOW Button
37. STEP Button
38. ZOOM Button

General Features

1. Slot Mechanism type DVD Deck
2. Flip Down type 7 Inch TFT LCD Monitor (Wide Screen)
3. Full Function Remote Control
4. FM Transmitter with remote control and OSD (Optional)
5. Infrared Transmitter for IR Wireless Headphones
6. Two Audio/Video Inputs
7. Remote Sensor
8. Dome Lights with Switch(On/Off/Auto)
9. FM Modulator Jack for connection
10. OSD for Control of DVD and Monitor Functions
11. TV Tuner (Optional)
12. FM Modulator(Optional)

Products Standards

Item	Features
Power Consumption	P MAX 30Watts
LCD Dimension(mm)	154.08(W) X 86.58(H)
Resolution(dot)	1,440(W) X 234(H)
Screen Size(inch)	7.0(Diagonal)
Dot Pitch(mm)	0.107(W) X 0.370(H)
Viewing Angle	90°(H), 60°(V)
Signal Mode	NTSC/PAL
TV Reception Sensitivity(dB)	
Power Source	DC 11~16V

FCC

This device complies with part 15 of the FCC Rules. Operation is subject to the following two conditions: (1) This device may not cause harmful interference, and (2) this device must accept any interference received, including interference that may cause undesired operation.

Caution : Any changes or modifications in construction of this device which are not expressly approved by the party responsible for compliance could void the user's authority to operate the equipment

Note : This equipment has been tested and found to comply with the limits for a Class B digital device, pursuant to part 15 of the FCC Rules. These limits are designed to provide reasonable protection against harmful interference in a residential installation. This equipment generates, uses and can radiate radio frequency energy and, if not installed and used in accordance with the instructions, may cause harmful interference to radio communications. However, there is no guarantee that interference will not occur in a particular installation. If this equipment does cause harmful interference to radio or television reception, which can be determined by turning the equipment off and on, the user is encouraged to try to correct the interference by one or more of the following measures:

- Reorient or relocate the receiving antenna.
- Increase the separation between the equipment and receiver.
- Connect the equipment into an outlet on a circuit different from that to which the receiver is connected.
- Consult the dealer or an experienced radio/TV technician for help.