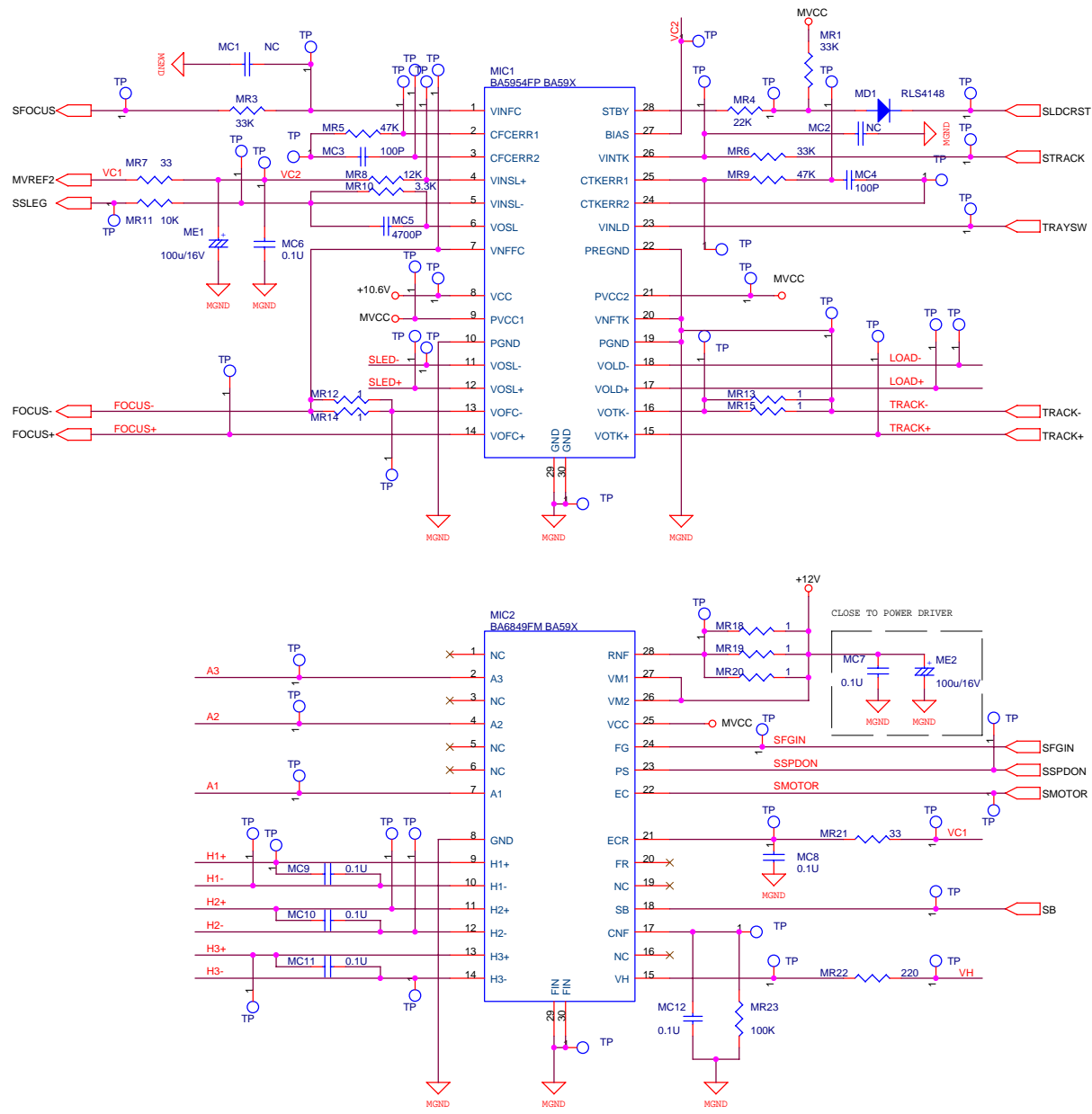
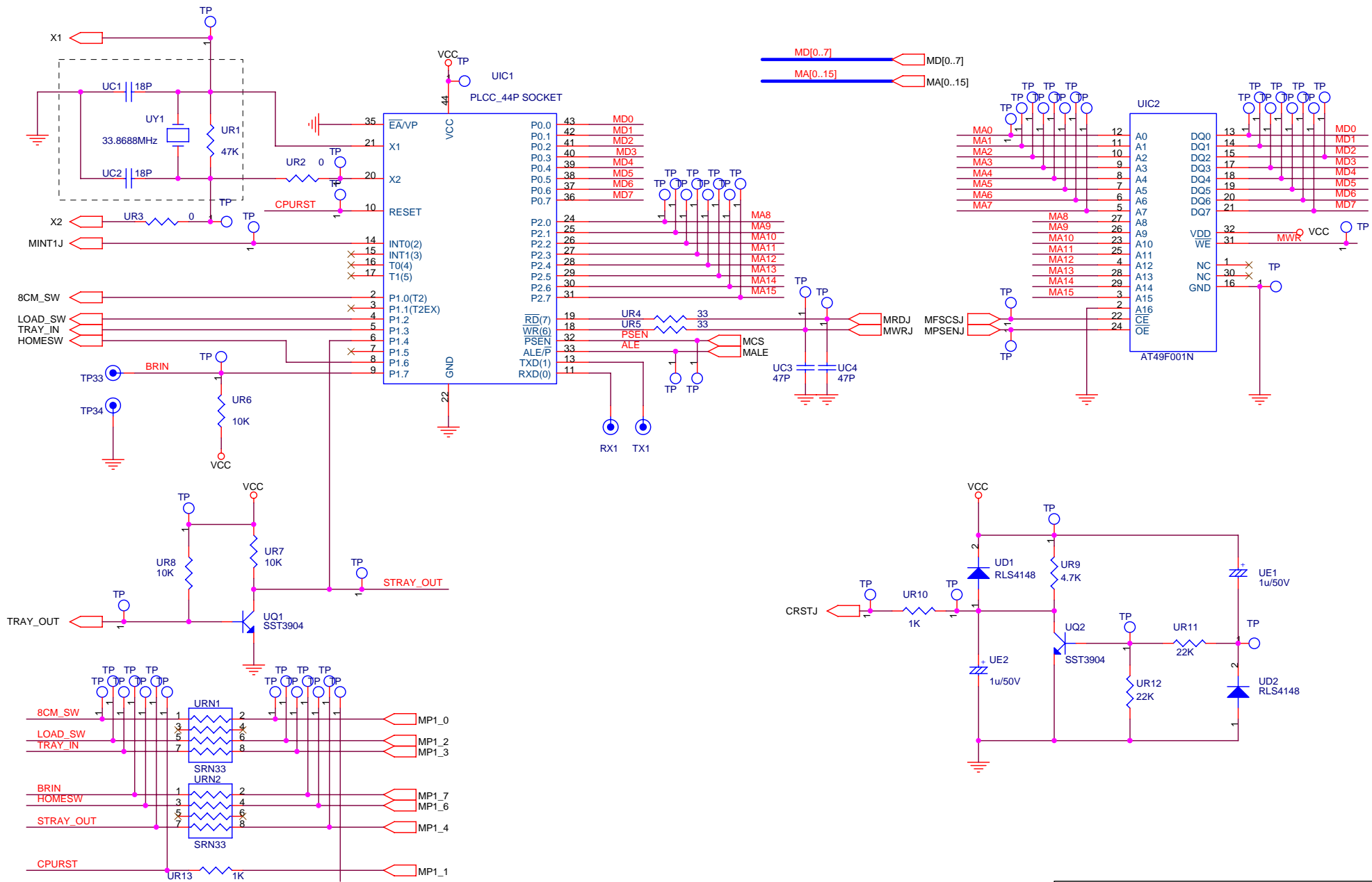


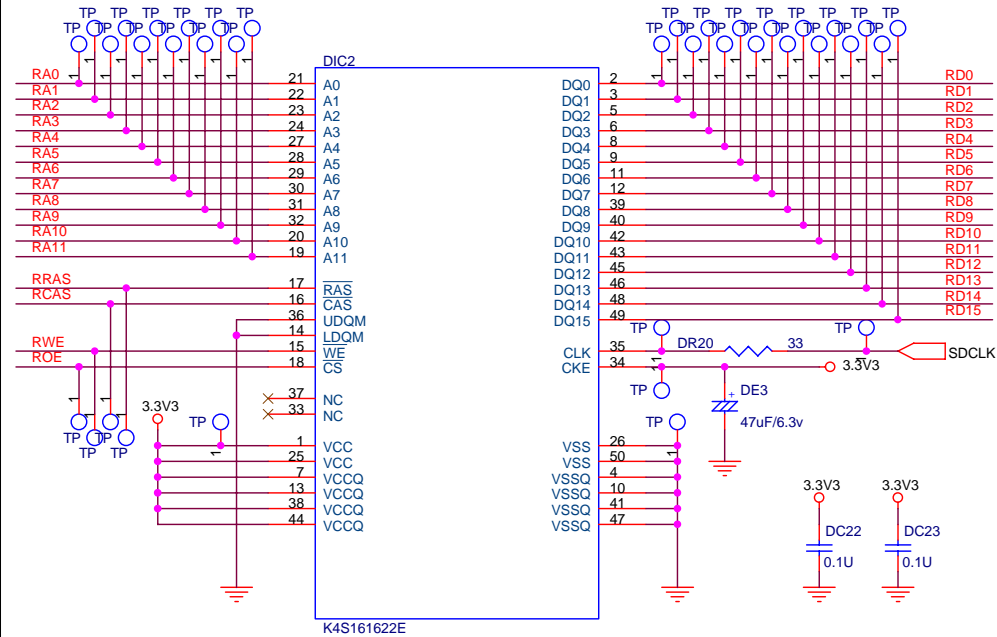
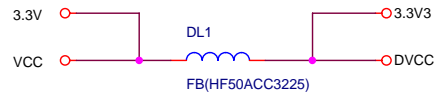
NOTE: SW1=LOAD_SW
 SW2=8/12CM SW
 SW3=8CM SW
 SW5=HOME_SW
 SW4/6=CHUCK SW



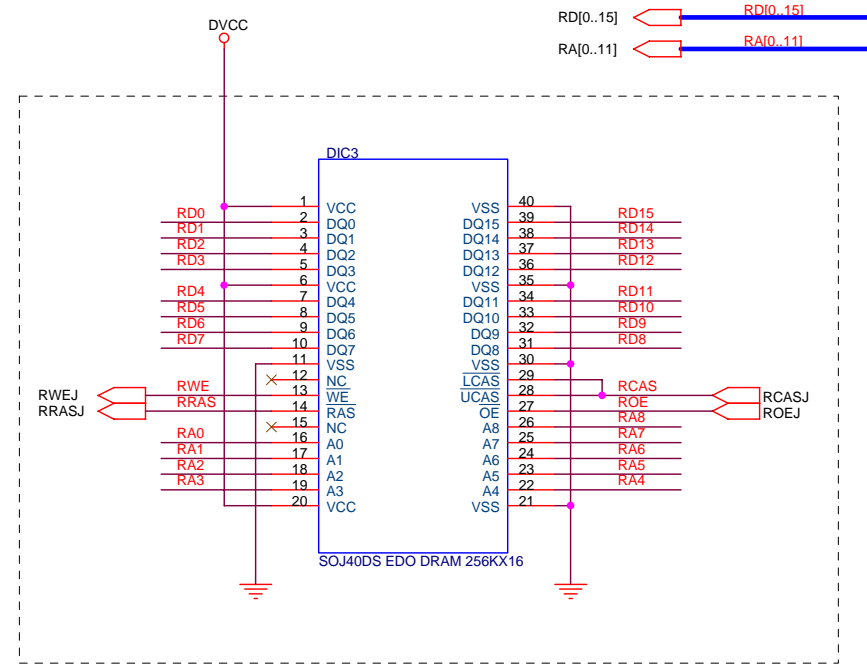
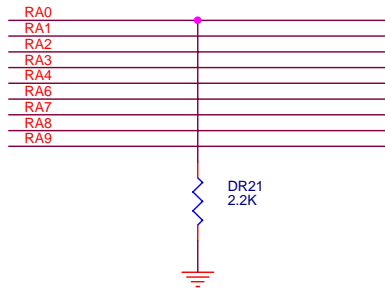


DAESUNG ELTEC		
Title		
CPU		
Size	Document Number	Rev
	<Front End>	0
Date:	Tuesday, December 03, 2002	Sheet 4 of 8

NOTE:4M DRAM USE 5V
16M SDRAM USE 3.3V



HARDWARE SETTING

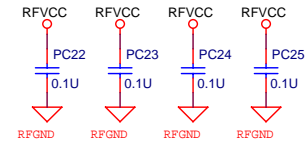
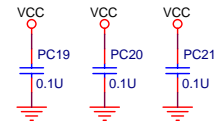
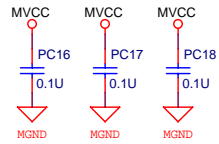
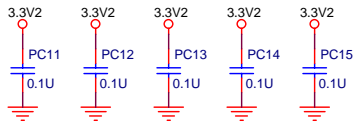
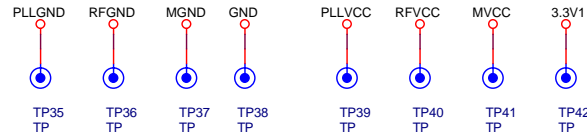
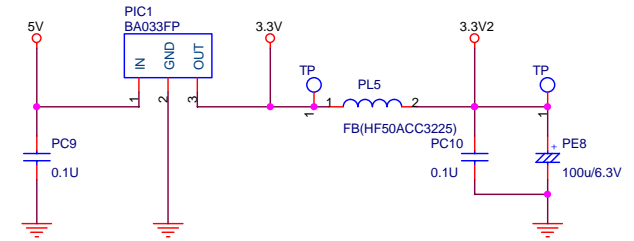
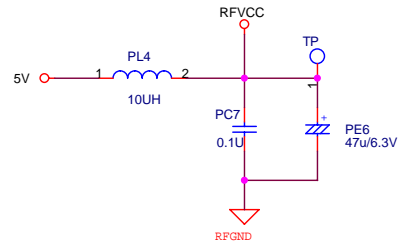
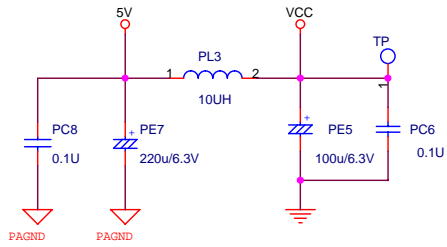
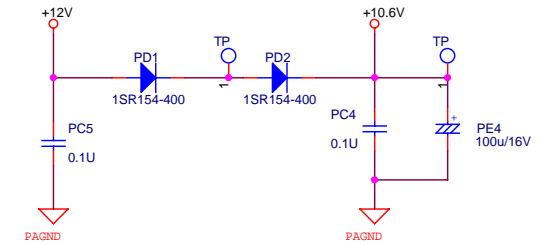
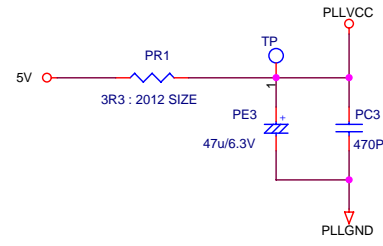
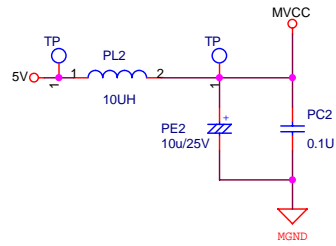
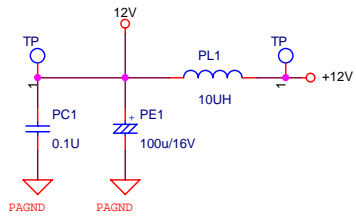


HARDWARE SETTING:

- RA[9] : Flash ROM Type
 - 1 : Now is using 64K Flash, so that XMP1[0] can be used as GPIO. (Default)
 - 0 : Now is using 128K Flash, so that XMP1[0] is used as A16
- RA[8] : MP Type
 - 1 : MP type is Intel 8032.
 - 0 : MP type is H8
- RA[7] : Microprocessor programmable I/O port 1 pin control
 - 1 : By internal microprocessor
 - 0 : By registers to decided input/output
- RA[6] : System testpin output
 - 1 : Normal operation
 - 0 : System test pin output
- RA[4] : IDE Master/Slave
 - 1 : Slave
 - 0 : Master
- RA[3] : Microprocessor I/F pins configuration (For Testing Only)
 - 1 : Normal mode
 - 0 : M5701 compatible mode
- RA[2] : Clock source selection (For Testing Only)
 - 1 : Select internal clock
 - 0 : Select external clock
- RA[1-0] : MCU Mode selection
 - 11 : Normal Mode (internal uP, internal address latch)
 - 10 : Output uP Mode (ICE Mode)
 - 01 : Test mode for internal uP testing
 - 00 : internal uP mode with external address latch

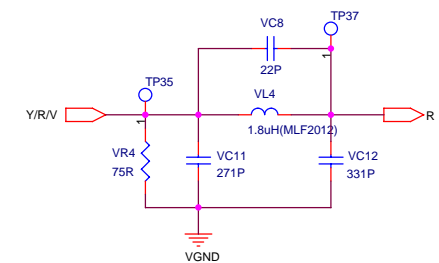
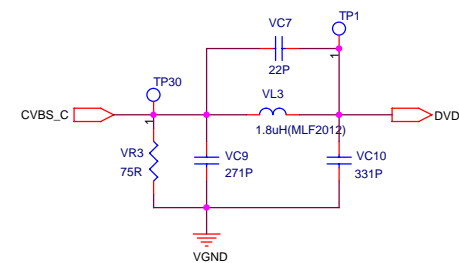
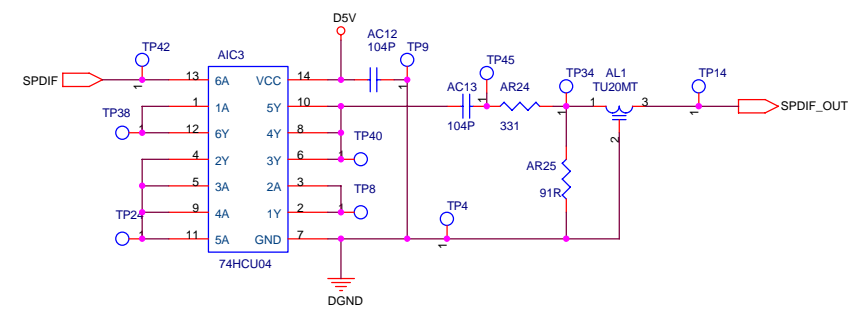
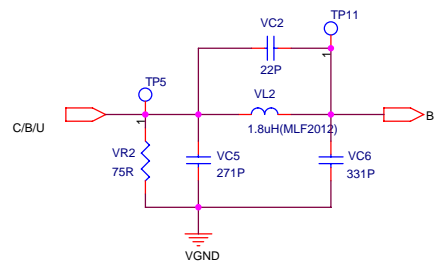
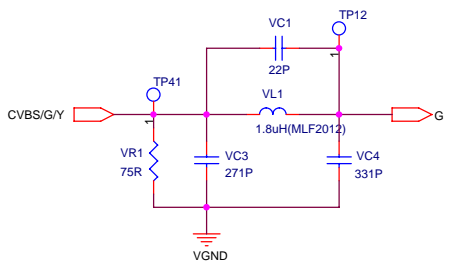
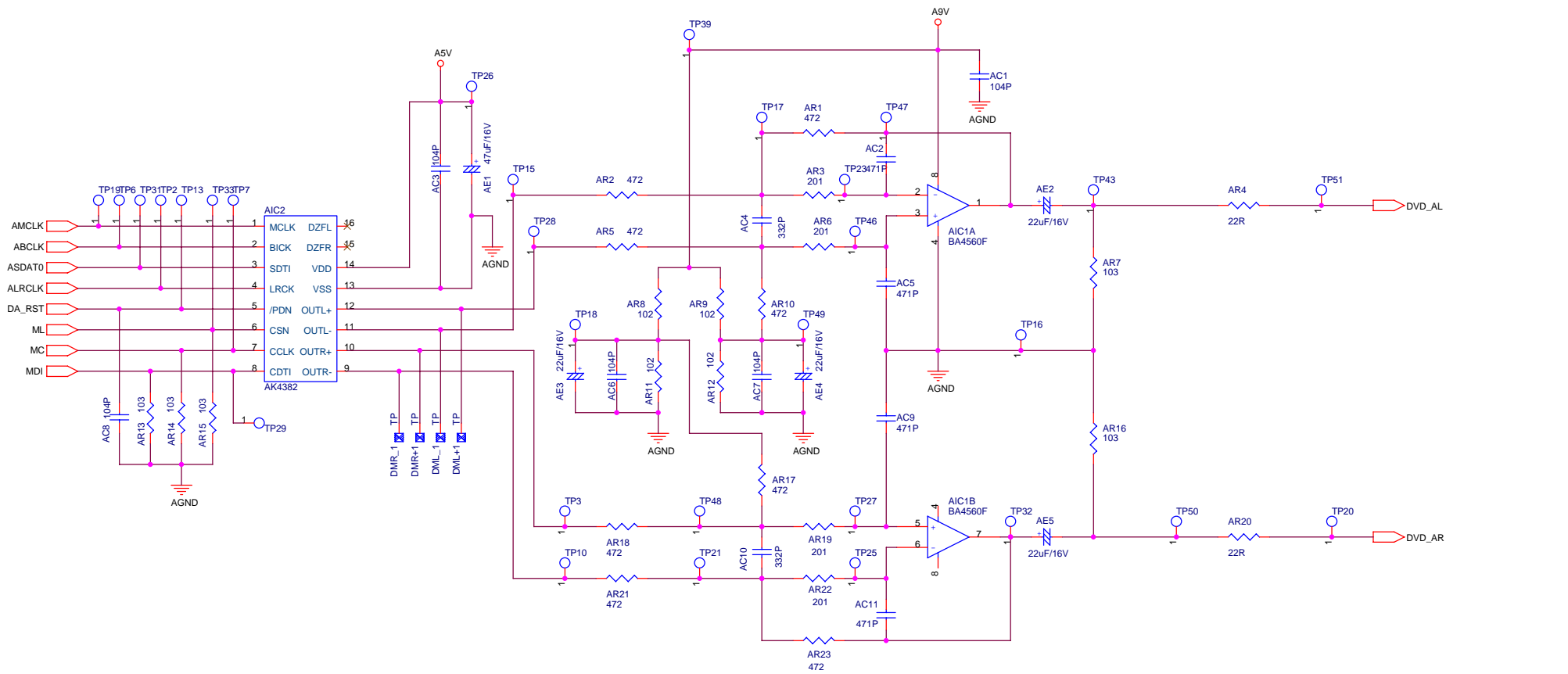
DAESUNG ELTEC

Title		
MEMORY		
Size	Document Number	Rev
	<Front End>	0
Date:	Tuesday, December 03, 2002	Sheet 5 of 8

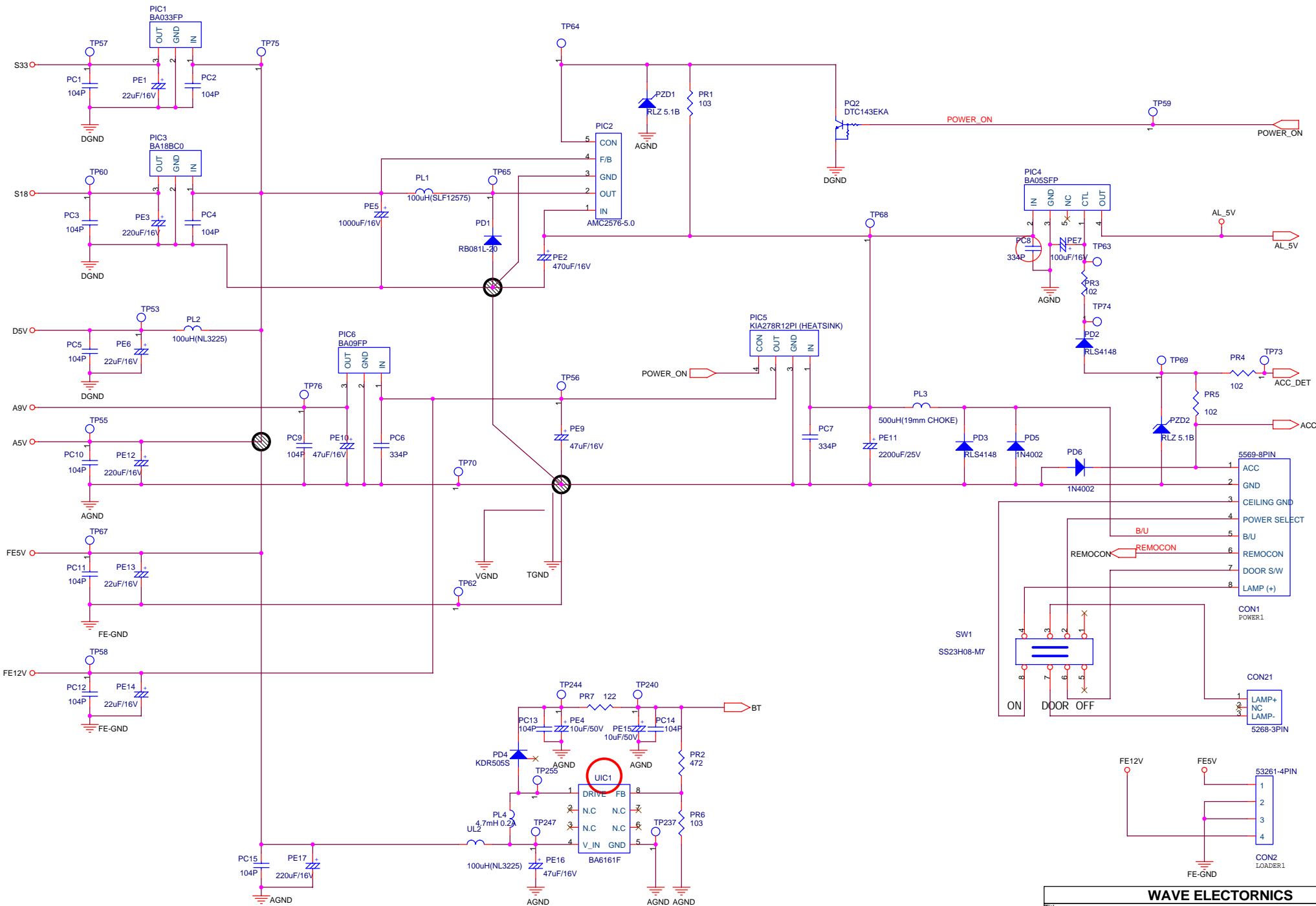


DAESUNG ELTEC

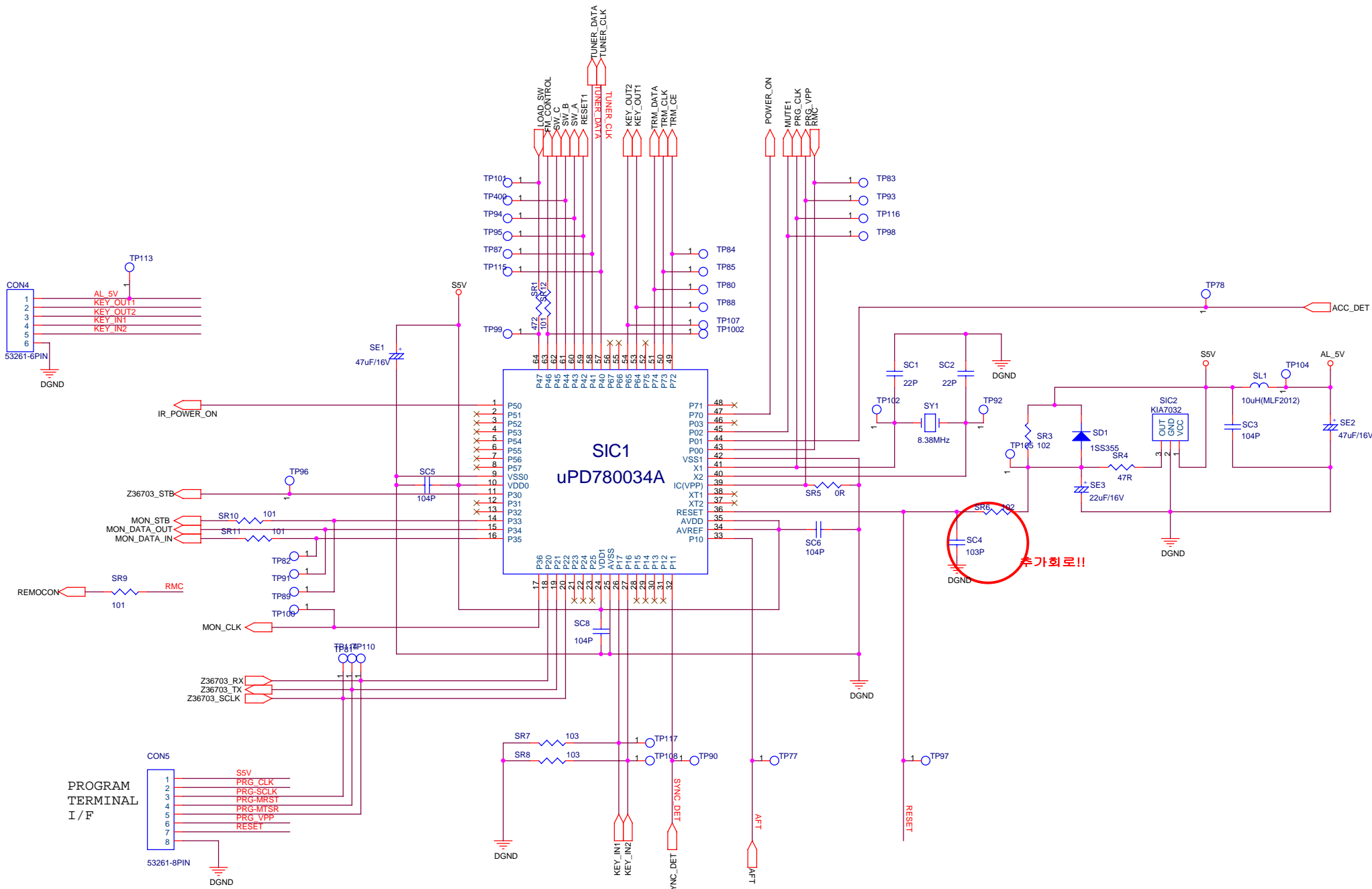
Title		
POWER		
Size	Document Number <Front End>	Rev 0
Date:	Tuesday, December 03, 2002	Sheet 6 of 8



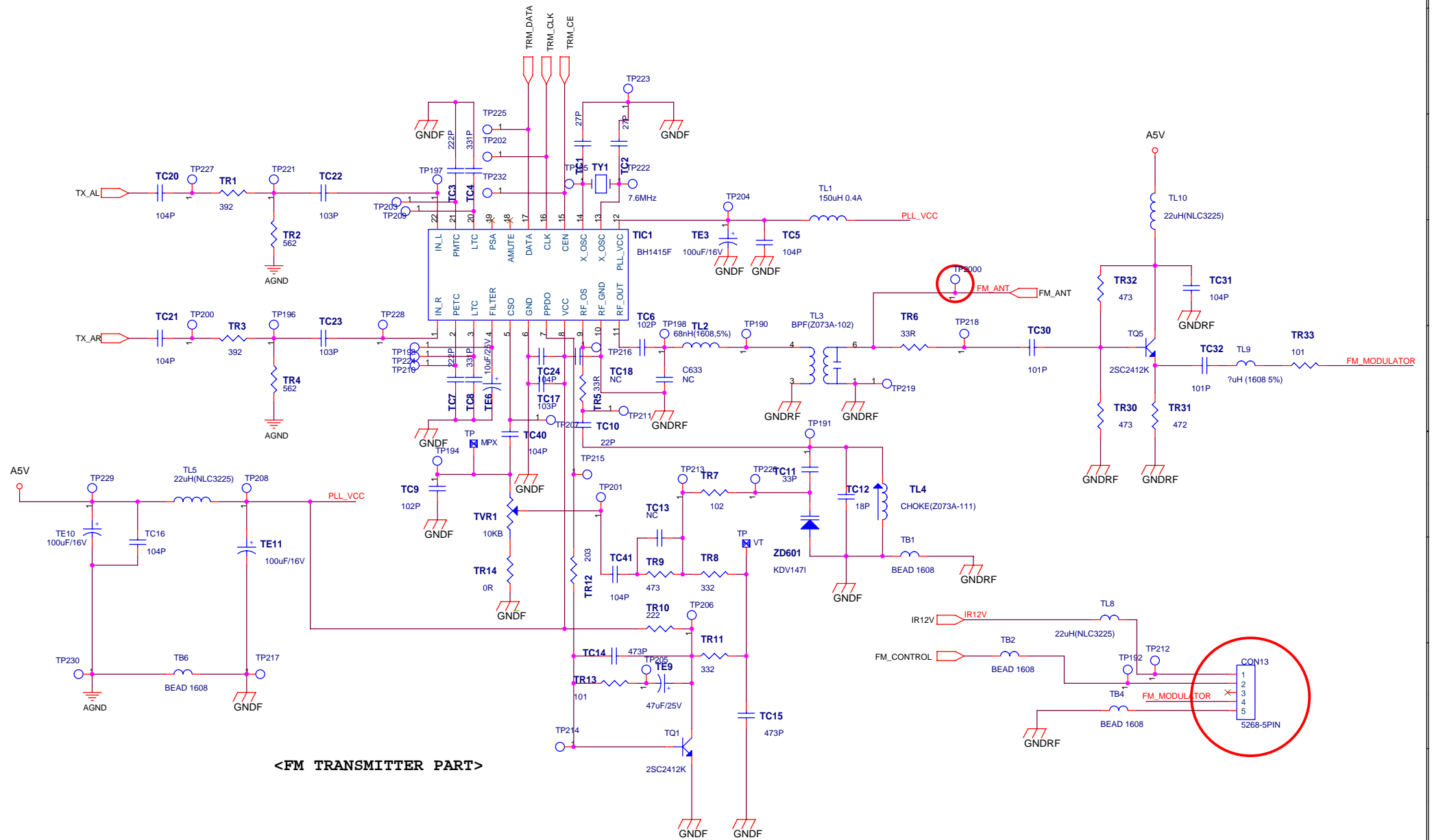
WAVE ELECTRONICS		
AUDIO / VIDEO		
Title		
Size A3	Document Number <Doc>	Rev 1
Date: Saturday, February 08, 2003	Sheet 1	of 9



WAVE ELECTRONICS		
DC_CONVERTER		
Size	Document Number	Rev
A3	<Doc>	1
Date:	Saturday, February 08, 2003	Sheet 2 of 9

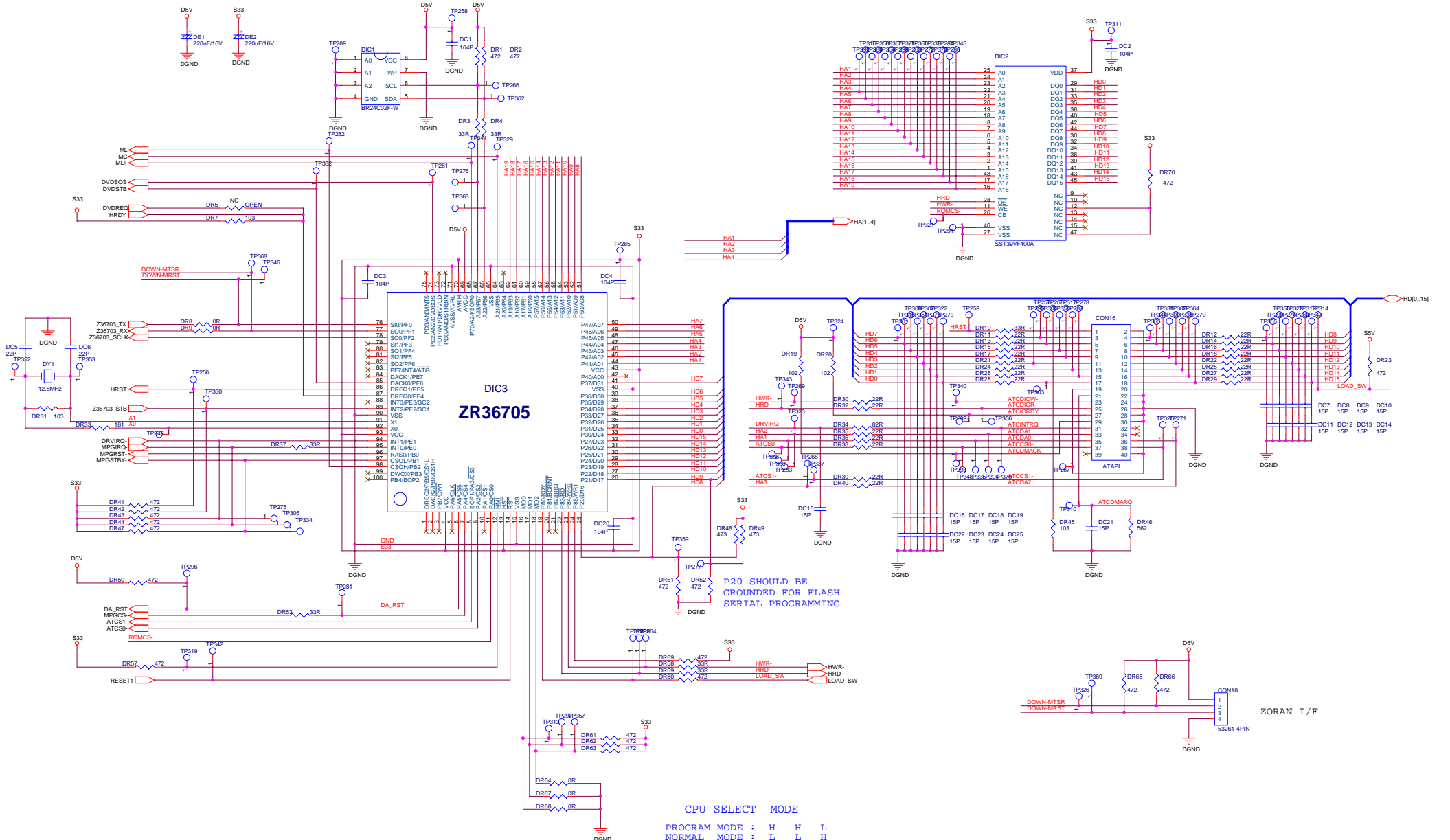


WAVE ELECTRONICS		
IF_MICOM		
Title		
Size	Document Number	Rev
A3	<Doc>	1
Date:	Saturday, February 08, 2003	Sheet 4 of 9



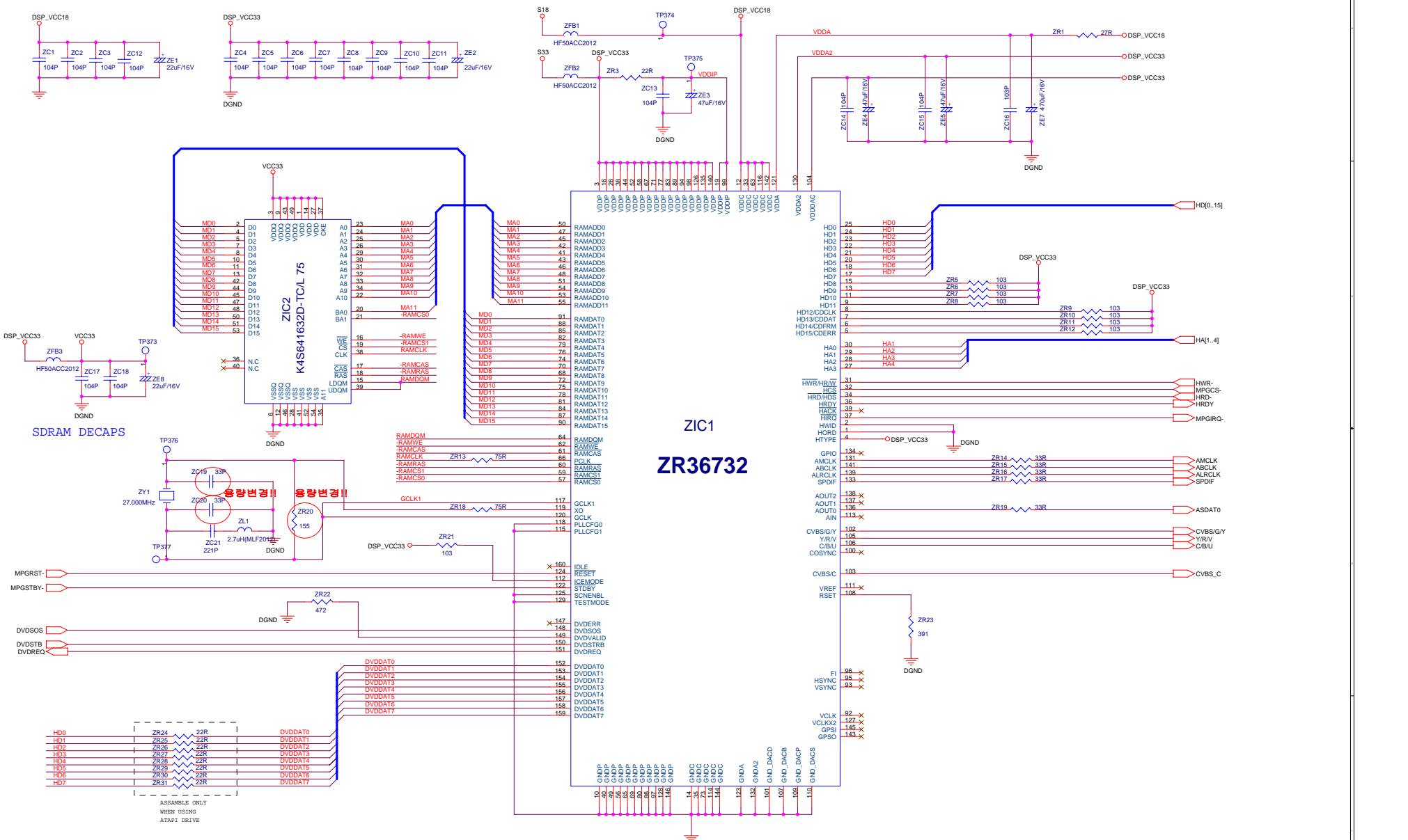
<FM TRANSMITTER PART>

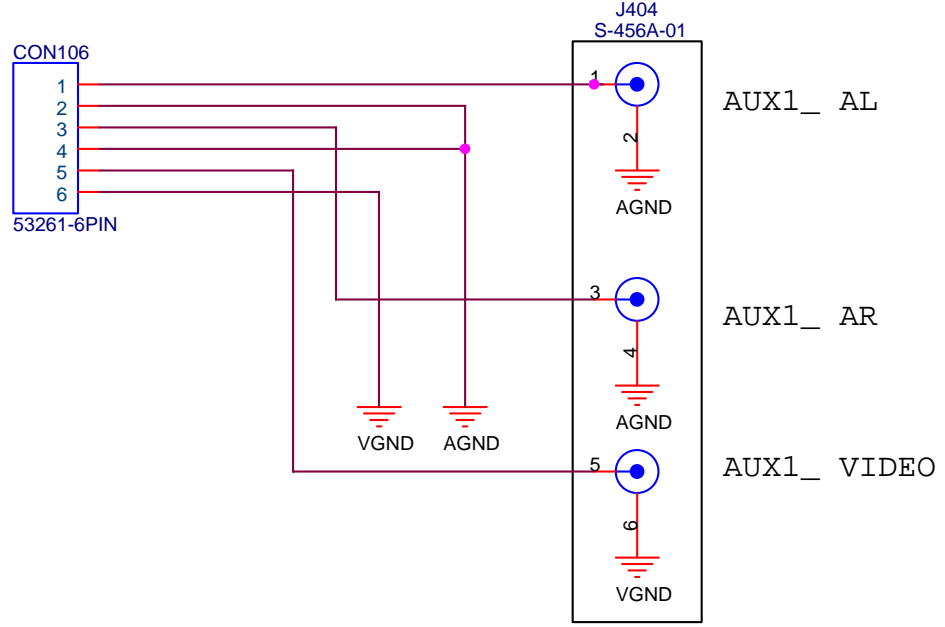
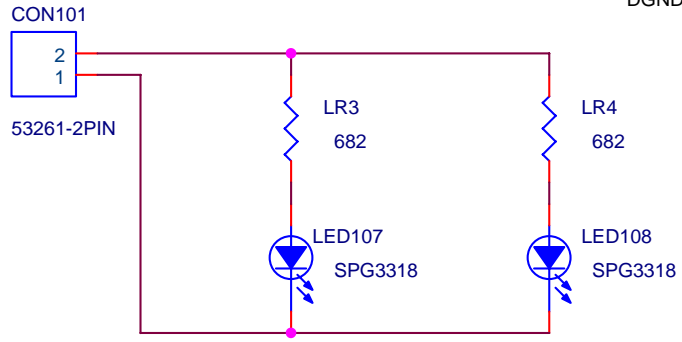
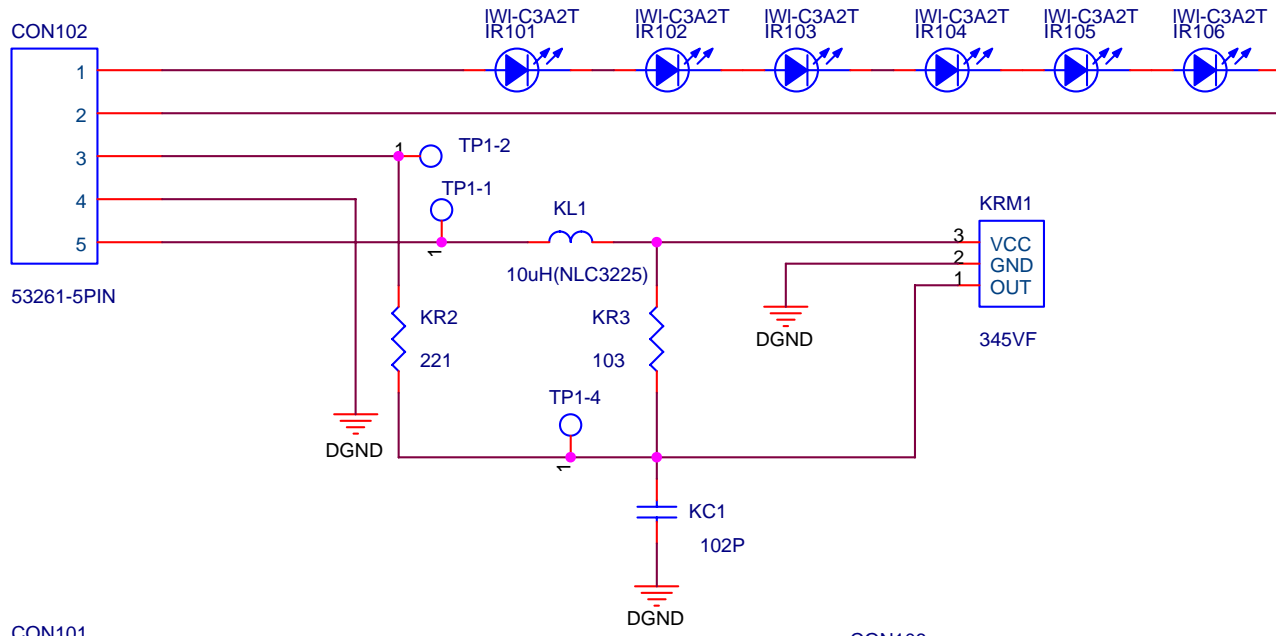
Title		<Title> FM TRANSMITTER BLOCK	
Size	A3	Document Number	<Doc>
Date:	Saturday, February 08, 2003	Sheet	1 of 1
		Rev	A



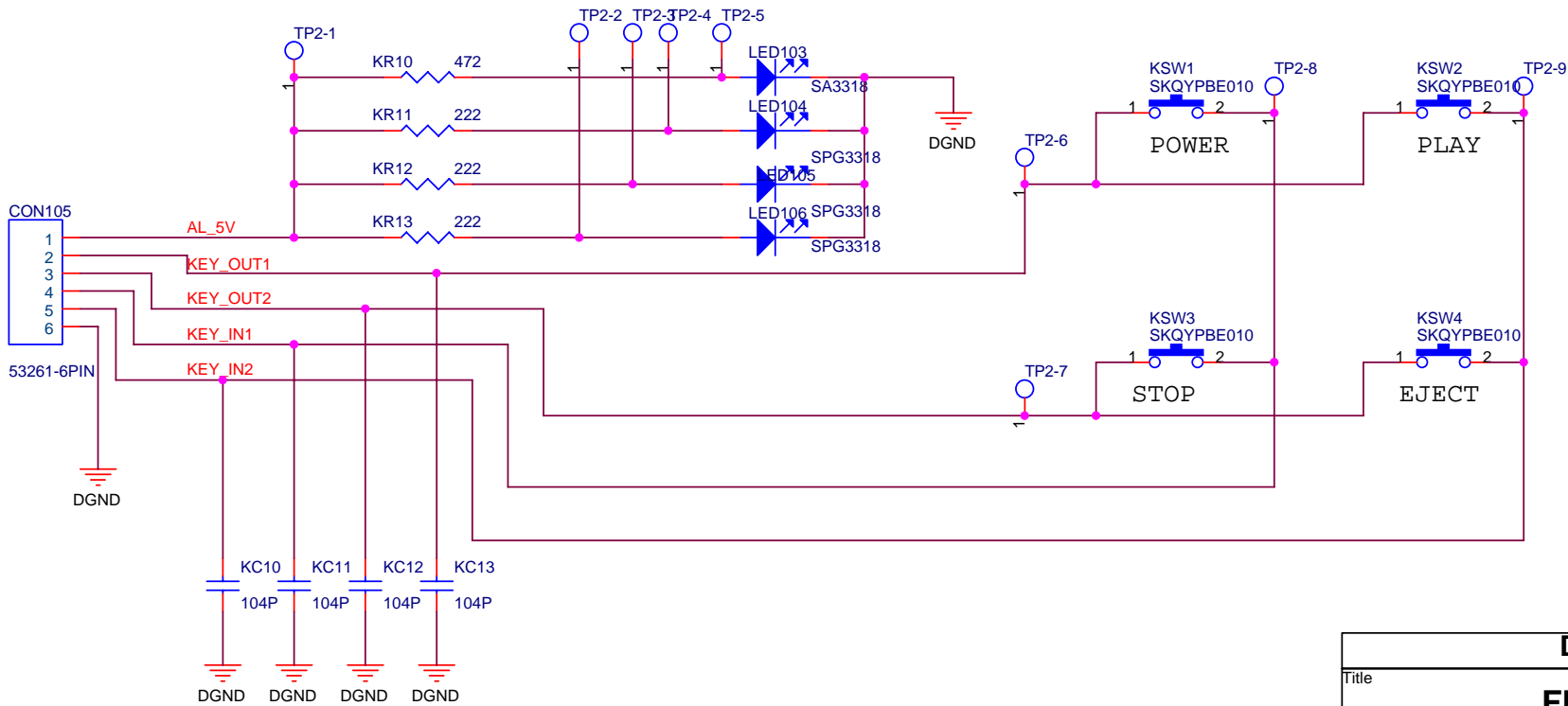
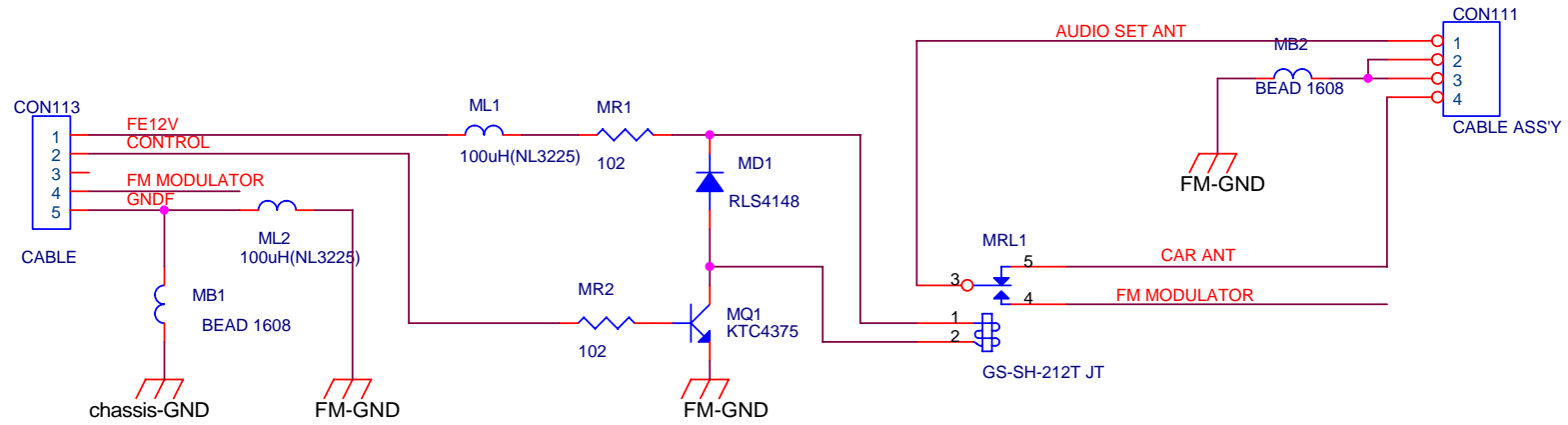
P20 SHOULD BE GROUNDED FOR FLASH SERIAL PROGRAMMING

CPU SELECT MODE
 PROGRAM MODE : H H L
 NORMAL MODE : L L H





Title		
<Title>		
Size	Document Number	Rev
A	<Doc>	
Date:	Tuesday, December 03, 2002	Sheet 1 of 1
	2	1



DAESUNGELTEC		
Title FM MODULATOR		
Size A4	Document Number <Doc>	Rev 1
Date: Tuesday, December 03, 2002	Sheet 7	of 9