

**DA-100**



**Important Notice**

It is unlawful in most jurisdictions for a person to drive a motor vehicle which is equipped with a television viewer or screen that is located in the motor vehicle at any point forward of the back of the driver's seat, or that is visible directly to the operator of the motor vehicle.

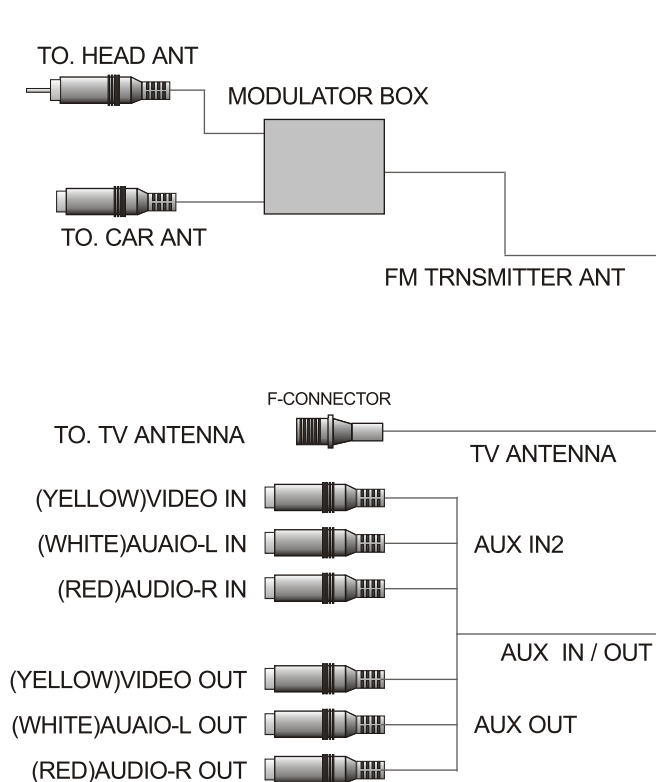
**Precautions**

If possible, this equipment should be professionally installed. In case of difficulty, please consult with your nearest professional installer.

1. This unit only operates in a 12 volt DC negative ground system.
2. Before performing installation and wiring, remove the negative(-) terminal of battery.
3. Follow the wiring connection diagram carefully to avoid causing damage to the unit.
4. Insulated all exposed wires to prevent short circuits.
5. Secure all loose wires after installing the unit.
6. Please carefully read the operating and installation instructions of any equipment connected to this unit
7. Be sure to turn the power off before wiring.
8. Be particularly careful where you route the wires. Keep them well away from the engine, and exhaust pipe, etc. Heat may damage the wires.

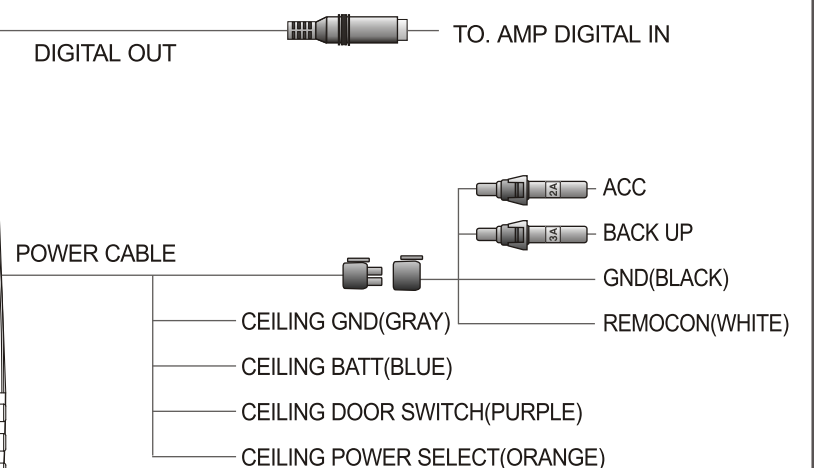
**Installation Guide**

**Installation**

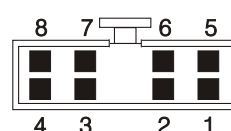


**Installation Guide**

**Installation**



**Power Connector**



- |                                  |                          |
|----------------------------------|--------------------------|
| 1. ACC (RED)                     | 5. BACK UP (YELLOW)      |
| 2. GND (BLACK)                   | 6. REMOCON (WHITE)       |
| 3. CEILING GND (GRAY)            | 7. CEILING DOOR (PURPLE) |
| 4. CEILING POWER SELECT (ORANGE) | 8. CEILING BATT (BLUE)   |

## Installation Guide

### Installation

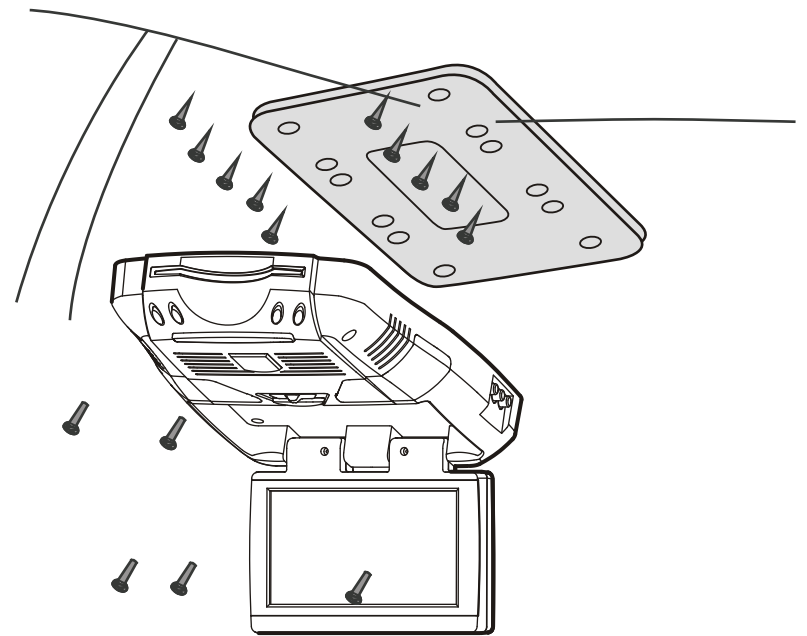
1. Connect Power Cable (4PIN) to ACC,BATT,GND.
2. Remote Controller Wire of Power Cable is to be connected to the Input Terminal of the external product having Remote Controller Input Function
3. The wire for Room Lamp will be connected to the three wire (CEILING GND, CEILING BATT, DOOR SW) in vehicle.

#### Special Note :

- The connecting method is different with type of vehicle.
  - When CEILING DOOR wire is POSITIVE, CEILING POWER SELECT wire is to be connected to CEILING GND wire.
  - When CEILING DOOR wire is GND, CEILING POWER SELECT wire is to be connected to CEILING BATT wire.
4. Digital output cable is to be connected to Digital Input Terminal of the external Digital Amplifier.
  5. Aux Out Cable is to be connected to Aux In Terminal of the external device by RCA cable.
  6. Aux In Cable is to be connected to Aux Out Terminal of the external device by RCA cable.
  7. Optional  
TV Antenna Cable is to be connected to TV Antenna. (F-connector type)
  8. FM Modulator Cable is to be connected to Radio Antenna Input Terminal of the external Head Unit and Radio Antenna.

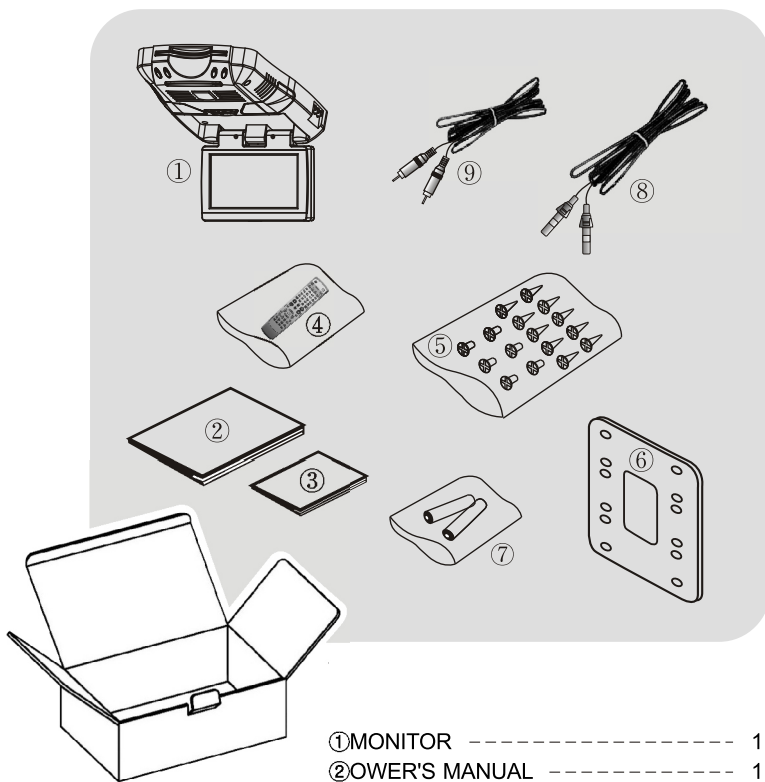
## Installation Guide

### Installation



## Installation Guide

### Components



①MONITOR	-----	1
②OWNER'S MANUAL	-----	1
③INSTALLATION GUIDE	-----	1
④REMOTE CONT. UNIT	-----	1
⑤INSTALLATION KIT		
& SCR M4 × 14	-----	10
& SCR M4 × 18	-----	6
⑥MOUNTING BRACKET	-----	1
⑦BATTERY	-----	2
⑧ASSY RCA COAXIAL CABLE	-----	1
⑨ASSY POWER CABLE	-----	1

## Memo

# FCC

This device complies with part 15 of the FCC Rules. Operation is subject to the following two conditions: (1) This device may not cause harmful interference, and (2) this device must accept any interference received, including interference that may cause undesired operation.

Caution : Any changes or modifications in construction of this device which are not expressly approved by the party responsible for compliance could void the user's authority to operate the equipment

Note : This equipment has been tested and found to comply with the limits for a Class B digital device, pursuant to part 15 of the FCC Rules. These limits are designed to provide reasonable protection against harmful interference in a residential installation. This equipment generates, uses and can radiate radio frequency energy and, if not installed and used in accordance with the instructions, may cause harmful interference to radio communications. However, there is no guarantee that interference will not occur in a particular installation. If this equipment does cause harmful interference to radio or television reception, which can be determined by turning the equipment off and on, the user is encouraged to try to correct the interference by one or more of the following measures:

- Reorient or relocate the receiving antenna.
- Increase the separation between the equipment and receiver.
- Connect the equipment into an outlet on a circuit different from that to which the receiver is connected.
- Consult the dealer or an experienced radio/TV technician for help.