

FCC PART 15 CLASS B EMI MEASUREMENT AND TEST REPORT

FOR

DIGIVOX Inc.
#202 Namkwang Bleg, 756-6
Banbaebon-dong, Seoul, Korea

Model Number : DVU-1064

Issued Date: January 16, 2003

Report No.: THRU-F030116

This Report Concerns: <input checked="" type="checkbox"/> Original Report	Equipment Type: Digital Voice Recorder. DVU-1064
Test Date: <u>January 06, 2003</u>	
Tested By: <u>Kiyong Moon Choi</u> K. M. Choi - Test Engineer	
Certified By: <u>Hae Woon Park</u> H.W.Park - M. Director, Compliance Engineering	
Prepared By: Thru Lab. & Engineering RM1105,11FL, ACE TECHNO TOWER 197-22,Guro-dong, Guro-gu Seoul 152-848, KOREA TEL: 82-(2)-2109-5059 / FAX: 82-(2)-2109-5056	

Note: This report may not be duplicated except in full without prior written consent of Thru Lab. & Engineering.

Table of Contents

1. General Information

1.1 Test Facility 4
1.2 Test Methodology. 4
1.3 Test Equipment List 4
1.4 Product Description for Equipment Under Test (EUT). 5
1.5 Support Equipment 5
1.6 Host System Configuration 6
1.7 External I/O Cabling 6

2. System Test Configuration

2.1 Justification 7
2.2 EUT Exercise 7
2.3 Special Accessories. 7
2.4 Schematics/Block Diagram. 7
2.5 Configuration of Test System 8
2.6 Conducted Emission Test Setup Block Diagram 9

3. Conducted Emission Test

3.1 EUT Setup 10
3.2 Test Equipment Setup. 10
3.3 Test Procedure. 10
3.4 Summary of Test Results. 11
3.5 Conducted Emission Test Result Data 11
3.6 Plot of Conducted Emission Test Data 11

4. Radiated Emission Test

4.1 EUT Setup 12
4.2 Test Equipment Setup. 12
4.3 Test Procedure. 12
4.4 Corrected Amplitude and Margin Calculation. 12
4.5 Summary of Test Results. 13
4.6 Radiated Emission Test Result Data 13

Table of Contents(cont'd)

Appendix A - Plot of Conducted Emission Test Data

Appendix B - EUT Schematics/Block Diagram

Appendix C - User's Manual

EXHIBITS CONTANING:

1 Conducted and Radiated Setup Photographs 1

 1.1 Conducted Emission: Front View. 1

 1.2 Conducted Emission: Side View 1

 1.3 Radiated Emission: Front View. 2

 1.4 Radiated Emission: Rear View 2

2 FCC Statement 3.

3 Sketch Of Label Location 4

4. External Photos 5

 4.1 Front View 5

 4.2 Rear View 5

5. Internal Photos 6

 Without Cover 6

 Component View 7

 Copper View 8

1. General Information

1.1 Test Facility

The open area test site (OATS) used by Thru Lab. & Engineering to collect radiated and conducted emissions measurement data is located in the 389 JeArm-Rhi, HyangNam-Myun, HwaSung-Gun, KyungKi-Do, Korea.

Test sites at Thru Lab. & Engineering has been fully described in reports submitted to the Federal Communication Commission and the details of the reports has been found to be in compliance with the requirements of Section 2.948 of the FCC Rules. The test facility also complies with the radiated and AC line conducted test site criterion in ANSI C63.4-1992. The Federal Communications Commission has the reports on file and is listed under Registration Number 92583. The scope of the accreditation covers the FCC Method - 47 CFR Part 15 or 18 of the Commission's Rules.

1.2 Test Methodology

All measurements contained in this report were conducted with ANSI C63.4-1992. All radiated and conducted emission measurements were performed at Thru Lab. & Engineering. The radiated testing was performed at an antenna-to-EUT distance of 10 meters for Class A devices and 3 meters for Class B devices.

1.3 Test Equipment List

Description	Model No.	Serial No.	Manufacturer	Cal. Due	Used
EMI Test Receiver	ESVS 10	830489/001	Rodhe&Schwarz	04/25/2003	RE
Biconical Antenna	94455-1	0977	Eaton	04/25/2003	RE
Log Periodic Antenna	3146	2051	EMCO	04/25/2003	RE
Spectrum Analyzer	8566B	2311A02394	Hewlett Packard	03/17/2003	RE
Spectrum Display	85662A	2542A12429	Hewlett Packard	03/17/2003	RE
Quasi-Peak Adapter	85650A	2521A00887	Hewlett Packard	03/17/2003	RE
RF Preselector	85685A	2648A00504	Hewlett Packard	03/17/2003	RE
Pre-Amplifier	8447D	1644A00978	Hewlett Packard	03/17/2003	
Horn Antenna	SAS-571	414	A.H. Systems	05/09/2003	
Dipole Antenna Set	TDA25/.1/.2	176/200/200	Electro Metrics	10/04/2003	
Signal Generator	SMS	872165/100	Rodhe&Schwarz	04/25/2003	
Spectrum Analyzer	R3261C	71720189	Advantest	04/25/2003	
LISN	KNW-242	8-923-2	Kyoritsu	N/A	
LISN	8012-50-R-24	8379121	Solar	N/A	
Plotter	7475A	2210A02802	Hewlett Packard	N/A	
Positioner Set	N/A	N/A	Dongsung Prec.	N/A	RE

1.4 Product Description for Equipment Under Test (EUT)

DIGIVOX Inc. DVU-1064 or the "EUT" as referred to this report is Digital Voice Recorder

Main Features of EUT are:

Recording Time	HQ	About 12 hour
	SP	About 16 hour
	LP	About 34 hour
Number of Message		5 Folder x 99messages (Including one additional lock folder)
Frequency Range for Recording / Playback		300Mz ~ 3500Mz
Out Power		100mW(T.H.D 10%)
Input		Audio Analog In(-60dB),3.5 Φ
Speaker		23mm, 8Ohms Dynamic Speaker
Dimension		31.4(w) x 101(H) x18.2(D)mm
Memory Medium		Built in flash Memory
Power Source		1.5V AAA ALKALINE x 2

Battery Lifetime

Voice	Recording Mode	About 10Hours(VOL:10)
	Speaker Playback	About 8Hours(VOL:10)
	Earphone Playback	About 9Hours(VOL:10)

1.5 Equipment Under Test

Description	Model Number	Serial Number	Manufacturer	Remarks
Host Computer	Satellite Pro 4280	Y901236401	Toshiba Corp	-
Digital Voice Recorder	DVU-1064	-	DIGIVOX Inc.	EUT
VGA Monitor	PN-17CT	P225HVER510534	Samsung Electronics	17"
Keyboard	BTC-5560	K71200885	BTC Korea	PS/2
Mouse	Mouse 2.0	02873445	Microsoft Corp.	PS/2
Printer	C2605	3221S66649	Hewlett Packard	300dpi
Modem	SM1200A1	71000230	Samsung Electronics	1200bps
Zip Drive	Z100USB	PSBL35F137	Iomega Corp.	USB

1.6 Support Equipment

Description	Model Number	Serial Number	Manufacturer	Remarks
Main Board	FSM7SS0	93J571272Y2	Toshiba Corporation	Japan
Hard Drive	MK6014MAP	Y9860027G	Toshiba Corporation	Japan
Floppy Drive	JU-226A202FC	00002445	Panasonic	China
CD-ROM Drive	CD-244E	0485644	TEAC Corporation	Indonasia
CPU	Pentium III	none	Intel Corporation	550MHz
Memory	SDRAM	none	Toshiba Corporation	192MB
Note book Chassis	Satellite Pro 4280	Y9012364 1	Toshiba Corporation	Note Book

1.7 External I/O Cabling

Description	Length (m)	Port/From	Port/To	Remarks
Video Cable	1.2	VGA/Host	Dsub/Monitor	Shielded
Keyboard Cable	1.8	Keyboard/Host	Keyboard	Shielded
Mouse Cable	2.0	Mouse/Host	Mouse	Shielded
Printer Cable	1.5	Parallel/Host	Printer/Centronics	Shielded
Modem Cable	2.0	Serial/Host	Modem/RS232	Shielded
USB Cable	1.0	USB/Host	Zip Drive/USB	Shielded
USB Cable	1.0	USB/Host	EUT/USB	Shielded
Ear-Phone Cable	1.5	EAR/EUT	Ear-Phone	Unshielded
Microphone Cable	1.5	MIC/EUT	Microphone	Unshielded

2. System Test Configuration

2.1 Justification

The system was configured for testing in a typical fashion (as normally used by a typical user). Worst case conducted and radiated emissions are presented in section 3.5 and section 4.6 of this report.

The test was performed as below.

1. Connect EUT and PC with USB Cable.
2. Opening Voice Manager Program on Windows Me ,downloading File from EUT to PC and performing the Voice file in the EUT.

2.2 EUT Exercise

The EUT exercising program used during radiated and conducted testing was designed to exercise the various system components in a manner similar to a typical use. The test software, supplied by the client, running on Windows Me operating system .

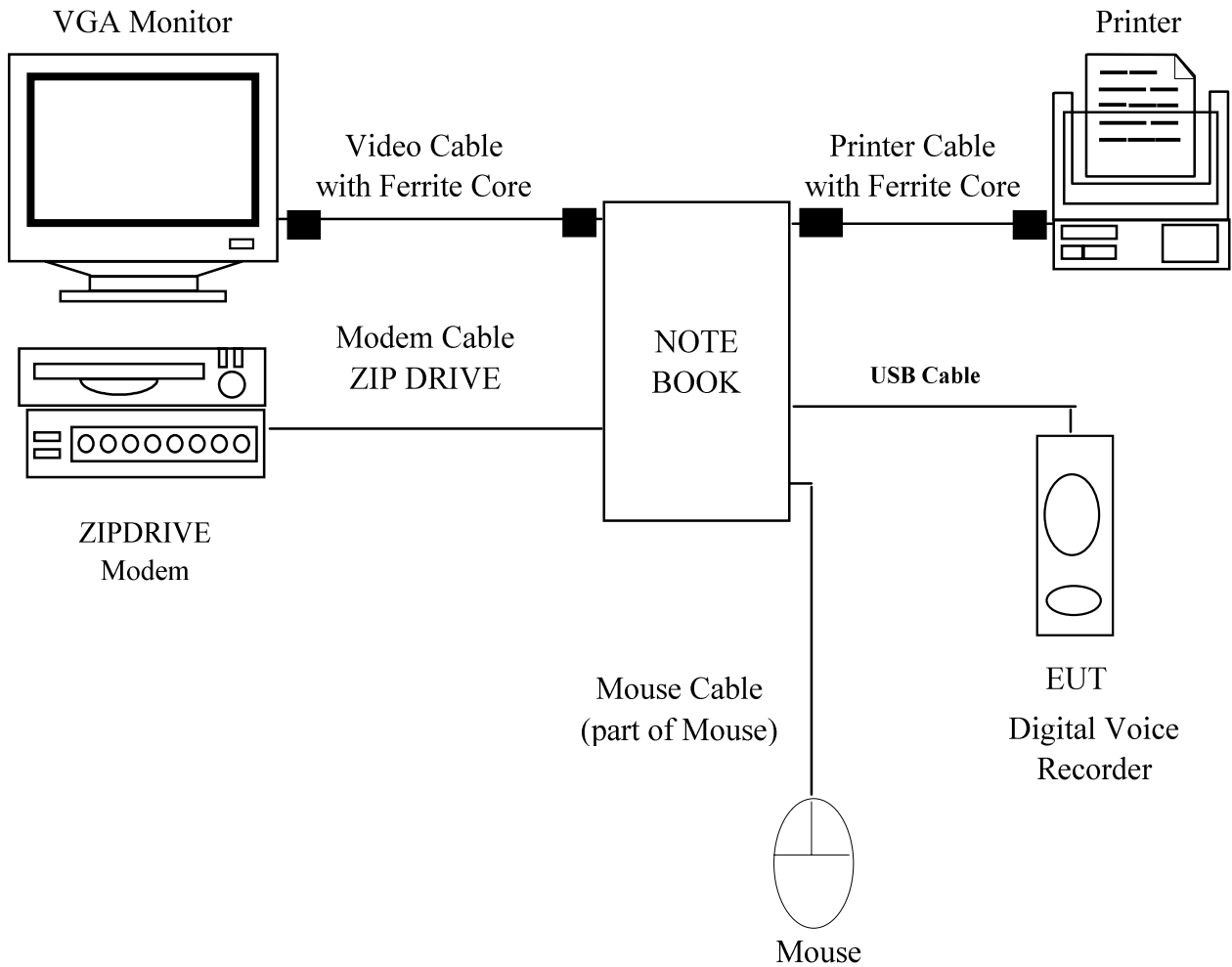
2.3 Special Accessories

As shown in section 2.5, all interface cables used for compliance testing are non-shielded as normally supplied or by use respective component manufacturers.

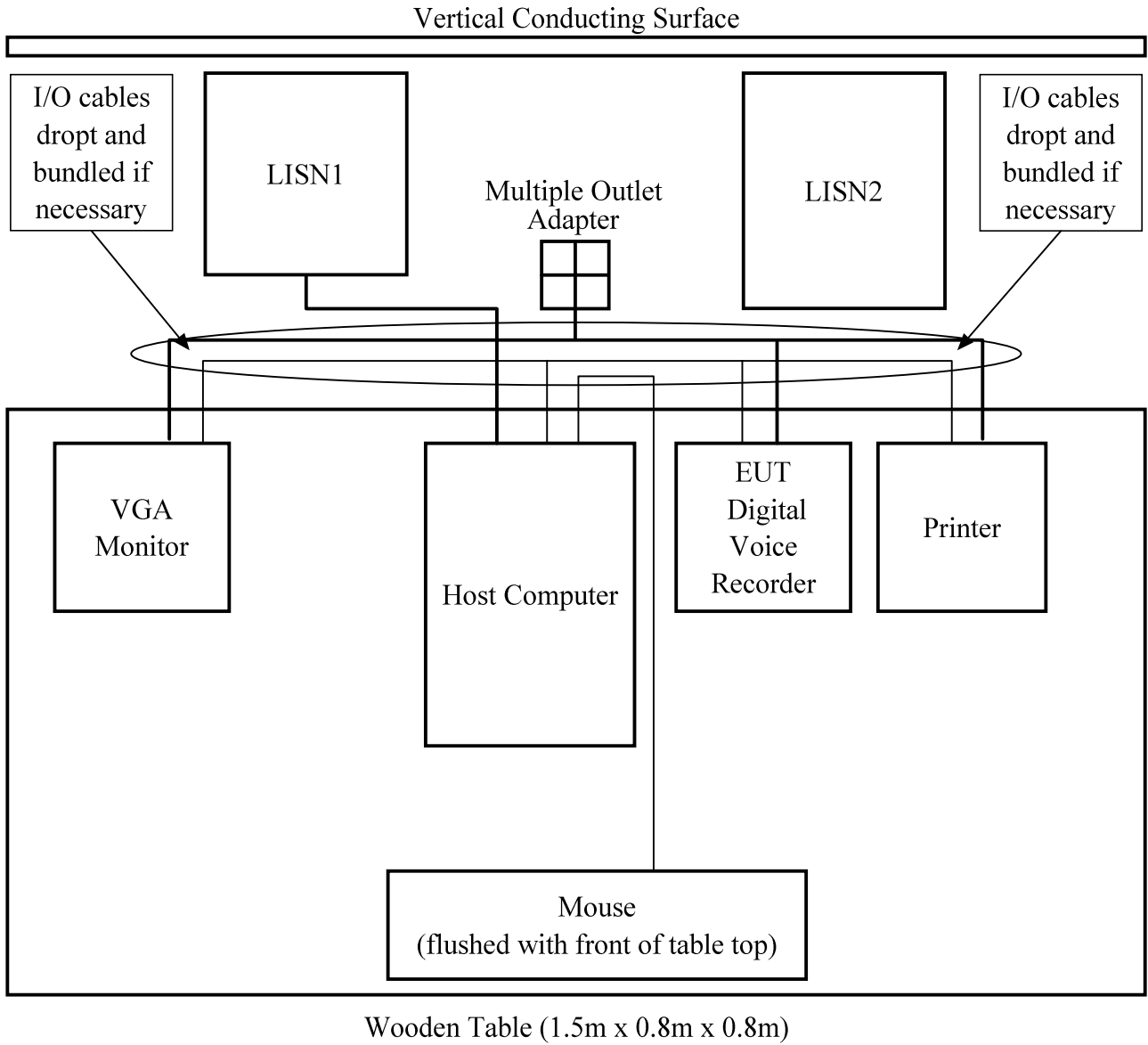
2.4 Block Diagram

The EUT block diagram is presented in Appendix B as reference.

2.5 Configuration of Test System



2.6 Conducted Emission Test Setup Block Diagram



3. Conducted Emission Test

3.1 EUT Setup

The measurement was performed in the screen room of test site, using the setup in accordance with ANSI C63.4-1992 conducted emission measurement procedure.

The EUT was connected with RS-232 cable to Input of Host Computer. The host computer was placed on the center and back edge of the test table. The printer, modem were placed on one side of the host computer with the Monitor and EUT on the other side. The rear of the host computer and all support equipments were flushed with the rear and sides of the tabletop. The keyboard was placed in front of the host computer, flushed with the front of the tabletop. The mouse was placed flushed with the back of the keyboard.

Spacing between the peripherals was approximately 10 centimeters.

3.2 Test Equipment Setup

The spectrum analyzer was configured during the conduction test in as follows:

Start Frequency	450kHz
Stop Frequency	30MHz
Resolution Bandwidth	9kHz
Sweep Time	Auto
Detector Mode	QP

3.3 Test Procedure

During the conducted emission test, the host computer power cord was connected to the auxiliary outlet of the LISN1 and all other peripherals power cords were connected to the multiple outlet adapter of the LISN2.

Maximizing procedure was performed on the six (6) highest emissions to ensure EUT compliance using all installation combination.

All data was recorded in the peak detection mode. Quasi-peak readings were only performed when an emission was found to be marginal (less than -4dBuV). Quasi-peak readings are distinguished with a "QP".

The conducted emission test was performed with EUT exercise program loaded, and the emissions were scanned between 0.45MHz to 30MHz on the LINE side and NEUTRAL side, herein referred to as L and N, respectively. The final test data for this test configuration is recorded in the table listed under section 3.5 of this report.

3.4 Summary of Test Results

According to the data in section 3.5, the EUT complied with the FCC Part 15 Class B standards, and had the worst margin reading of:

-12.3dB at 0.603MHz in the LINE side with Toshiba Corporation AC Adaptor, Model PA2444U AC Adaptor

3.5 Conducted Emission Test Data

Line Conducted Emission				FCC Part15 Class B		
Frequency (MHz)	Amplitude (dBuV)	Detector Qp/Ave/Peak	Phase Line/Neutral	Limit		Margin (dB)
				(dBuV/m)	(uV/m)	
0.544	31.4	QP	N	48.0	250	-16.6
0.603	35.7	QP	N	48.0	250	-12.3
0.743	33.4	QP	N	48.0	250	-14.6
0.834	33.6	QP	N	48.0	250	-14.4
0.901	33.9	QP	H	48.0	250	-14.1
1.024	33.8	QP	H	48.0	250	-14.2
1.843	35.1	QP	H	48.0	250	-12.9
2.498	36.2	QP	H	48.0	250	-11.8
19.218	33.1	QP	H	48.0	250	-14.9
20.643	33.2	QP	H	48.0	250	-14.8
21.946	35.6	QP	H	48.0	250	-12.4
25.418	35.3	QP	H	48.0	250	-12.7

3.6 Plot of Conducted Emission Test Data

Plot(s) of conducted emission test data for the Toshiba Corporation AC Adaptor, Model PA2444U AC Adaptor is presented in Appendix A of this report as reference.

4. Radiated Emission Test

4.1 EUT Setup

The radiated emission tests were performed in the open area test site, using the setup in accordance with ANSI C63.4-1992 radiated emission measurement procedure.

The VGA monitor with EUT and all peripherals were placed on the test table same as section 3.1.. Spacing between the peripherals was approximately 10 centimeters.

4.2 Test Equipment Setup

During the radiated emission test, the EMI test receiver was set with the following configurations:

Start Frequency	30MHz
Stop Frequency	1000MHz
IF Bandwidth	120kHz
Sweep Time	10msec
Detector Mode	QP

4.3 Test Procedure

For the radiated emission test, the host computer and all support equipments power cords was connected to the AC floor outlet.

Maximizing procedure was performed on the six (6) highest emissions to verify that the EUT complied with all installation combination.

The radiated emission test was performed with EUT exercise program loaded, and the emissions were scanned between 30MHz to 1000MHz. At each frequency, the EUT was rotated 360 degrees, and the antenna was raised and lowered from 1 to 4 meters in order to determine the maximum emission levels. Measurements were taken using both HORIZONTAL and VERTICAL antenna polarization. The final test data for this test configuration is recorded in the table listed under section 4.6 of this report.

4.4 Corrected Amplitude and Margin Calculation

The Corrected Amplitude is calculated by adding the antenna and cable Correction Factor from the Indicated Amplitude reading. The basic equation is as follows:

$$\text{Corrected Amplitude} = \text{Indicated Amplitude} + \text{Antenna Factor} + \text{Cable Factor}$$

The Margin column of the data table in section 4.6 indicates the degree of compliance with the applicable limit. The equation for margin calculation is as follows:

$$\text{Margin} = \text{Corrected Amplitude} - \text{Applicable Limit}$$

4.5 Summary of Test Results

According to the data in section 4.6, the EUT complied with the FCC Part 15 Class B standards, and had the worst margin of:

-3.5dB at 60.448 MHz in the HORIZONTAL polarization at an antenna-to-EUT distance of 3 meters.

4.6 Radiated Emission Test Result Data

Indicated		Antenna		Table	Correction Factor		Corrected Amplitude	FCC Part15 Class B		
Freq. (MHz)	Ampl. (dBuV/m)	Polar. (H/V)	Height (m)	Angle (deg.)	Ant. (dB)	Cable (dB)	(dBuV/m)	Applicable Limit		Margin (dB)
								(dBuV/m)	(uV/m)	
33.194	8.4	H	3.9	120	13.0	0.7	22.1	40.0	100	-17.9
36.824	4.6	V	1.5	310	12.9	0.8	18.3	40.0	100	-21.7
47.928	22.7	H	3.1	200	11.3	1.0	35.0	40.0	100	-5.0
60.448	28.1	H	3.5	250	7.3	1.1	36.5	40.0	100	-3.5
71.972	15.1	H	3.8	260	6.0	1.2	22.3	40.0	100	-17.7
86.040	13.2	V	1.6	400	9.5	1.5	24.2	40.0	100	-15.8
110.588	18.1	H	3.2	250	11.0	1.7	30.8	43.5	150	-12.7
137.478	15.7	H	3.3	100	14.5	2.0	32.2	43.5	150	-11.3
169.020	14	H	2.5	300	16.2	2.3	32.5	43.5	150	-11.0
184.320	20	H	3.2	170	14.1	2.4	36.5	43.5	150	-7.0
191.760	11	V	1.2	330	14.0	2.5	27.5	43.5	150	-16.0
208.894	20.6	H	2.7	150	10.8	2.6	34.0	43.5	150	-9.5
221.180	15.6	H	2.6	120	10.7	2.8	29.1	46.0	200	-16.9
258.034	17.1	H	2.4	150	12.8	3.2	33.1	46.0	200	-12.9
335.560	10.2	H	2.8	120	16.1	3.7	30.0	46.0	200	-16.0
356.346	13	H	3.1	90	14.9	3.9	31.8	46.0	200	-14.2
417.782	12.1	H	2.3	100	15.7	4.3	32.1	46.0	200	-13.9
430.120	18.1	H	2.7	230	15.9	4.4	38.4	46.0	200	-7.6

Appendix A - Plot of Conducted Emission Test Data

