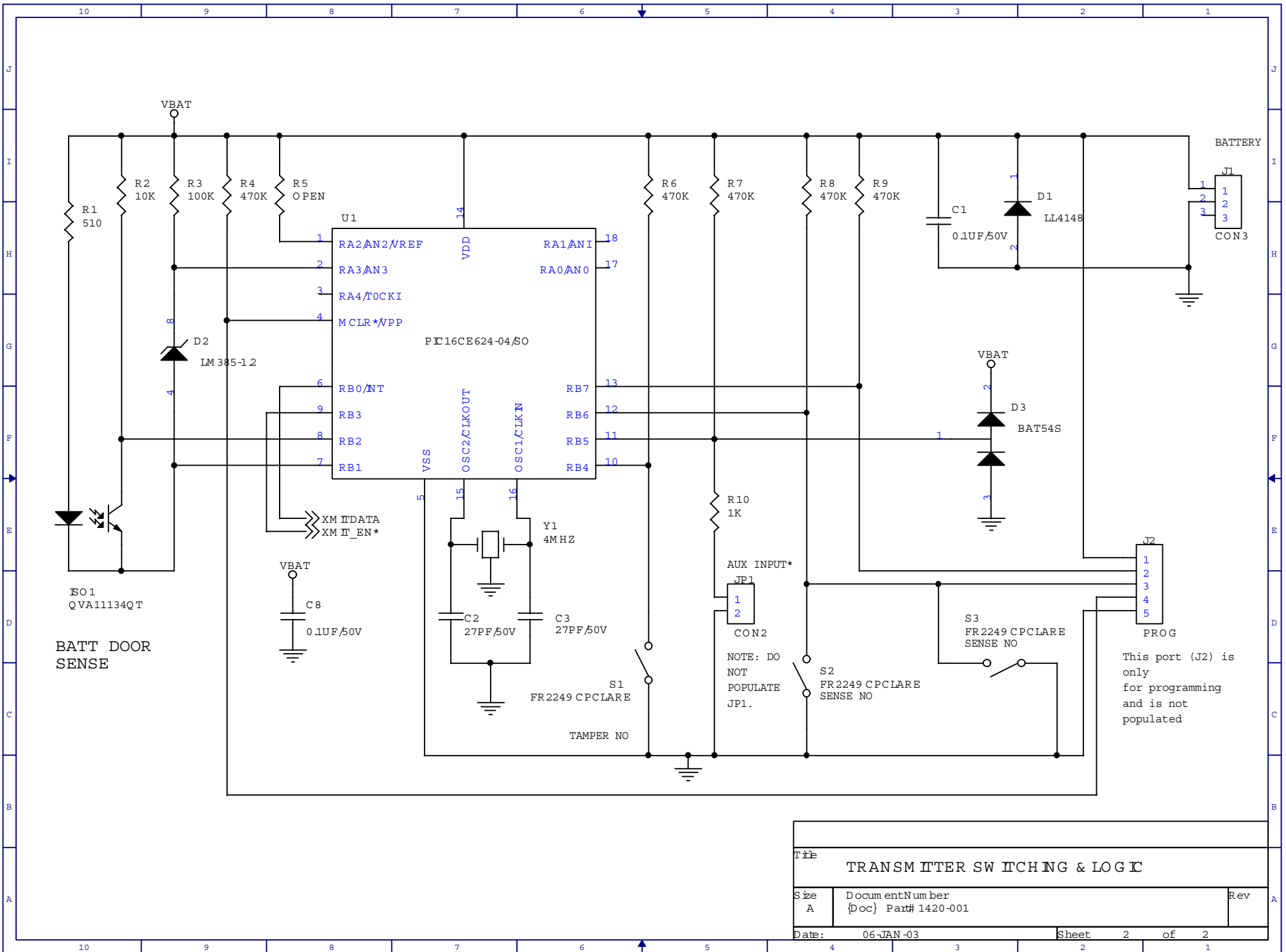


Title		
TRANSMITTER RF SECTION		
Size	DocumentNumber	Rev
A	{Doc} Part# 1420-001	
Date:	06-JAN-03	Sheet 1 of 2



Title		
TRANSMITTER SWITCHING & LOGIC		
Size	DocumentNumber	Rev
A	{Doc} Part# 1420-001	A
Date:	06-JAN-03	Sheet 2 of 2