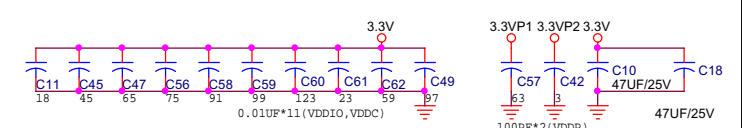
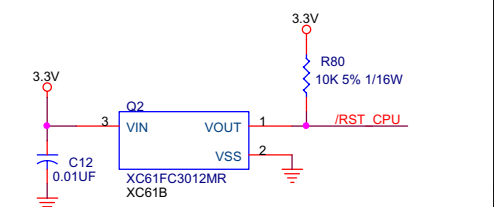
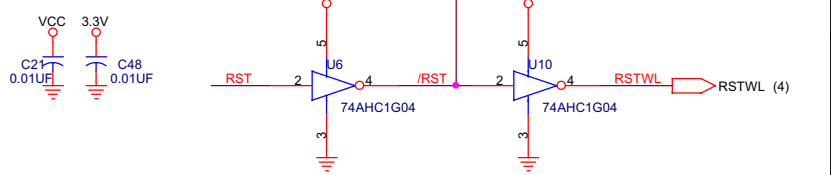
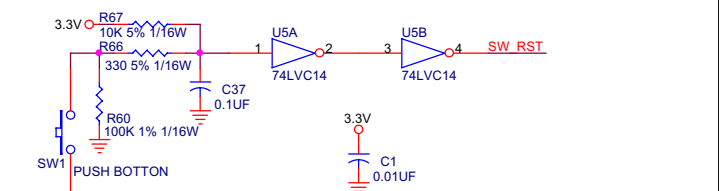
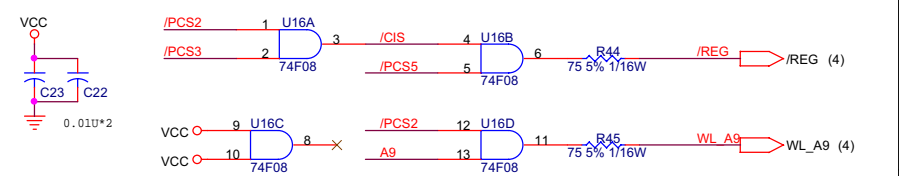
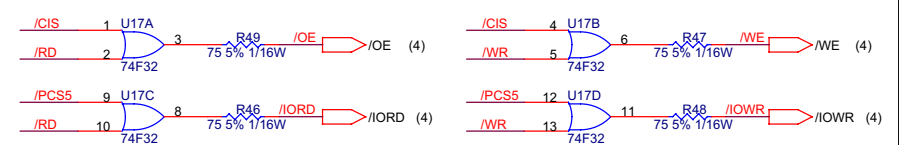
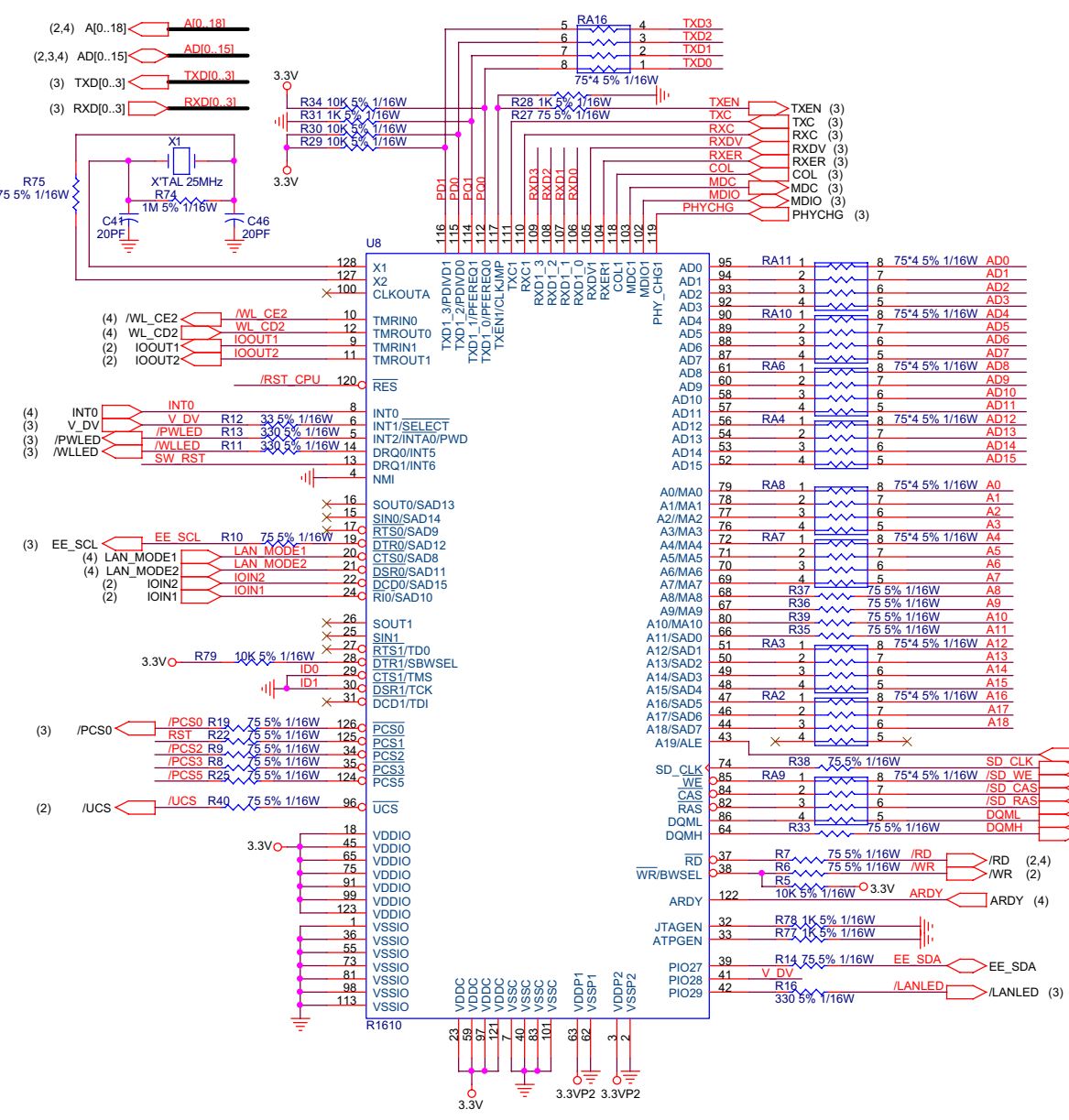



Software Version : Pin 29(U1\_CTS) ID0= 0  
 Pin 30(U1\_DSR) ID1= 0  
 Pin 38(/WR) = PU : ROM 16bit  
 Pin 32(JTAGEN)=PD : JTAGEN disable  
 Pin 33(ATPGEN)=PD : Saon chain disable  
 Pin 117(TXEN1/CLKJMP)=PD : Clkout = X'tal

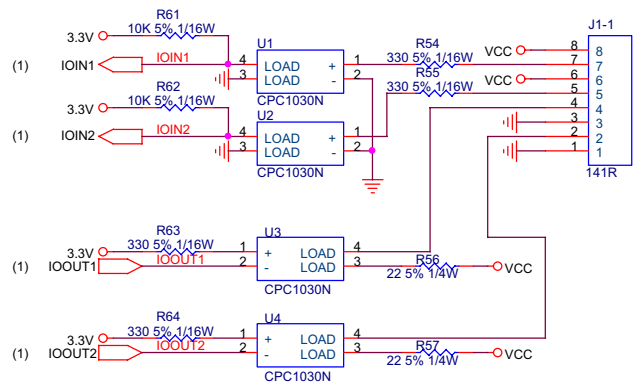
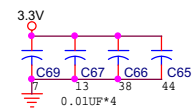
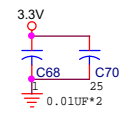
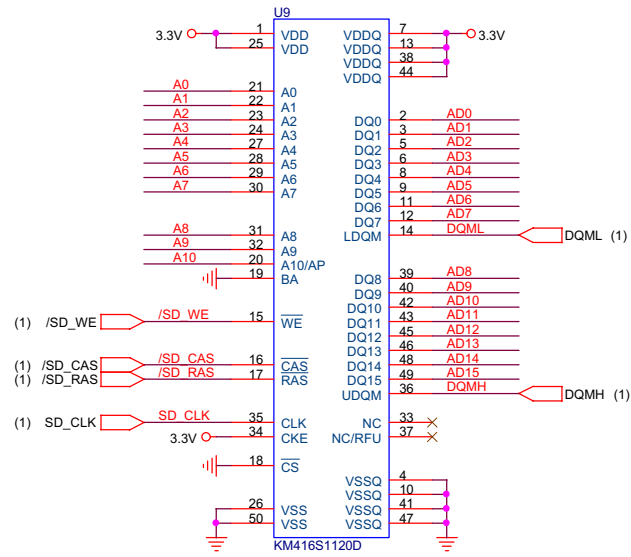
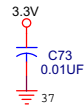
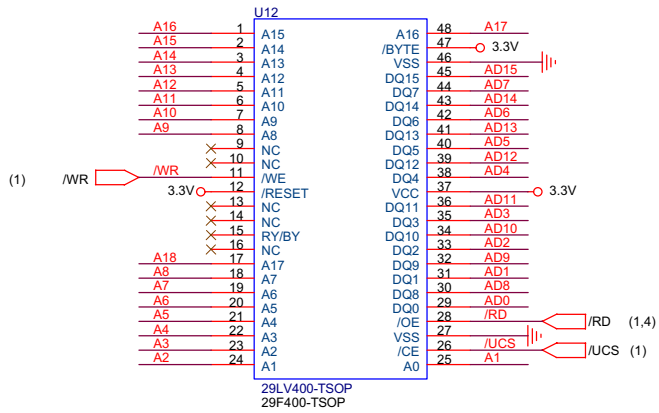
25MHZ\*4=100MHZ  
 Pin 116(TXD1\_3/PDIVD1) = PU  
 Pin 115(TXD1\_2/PDIVD0) = PU  
 Pin 114(TXD1\_1/PFEREQ1) = PD  
 Pin 112(TXD1\_0/PFEREQ0) = PU  
 Pin 28(DTR1/SBWSSEL)=PU : UART1 disable



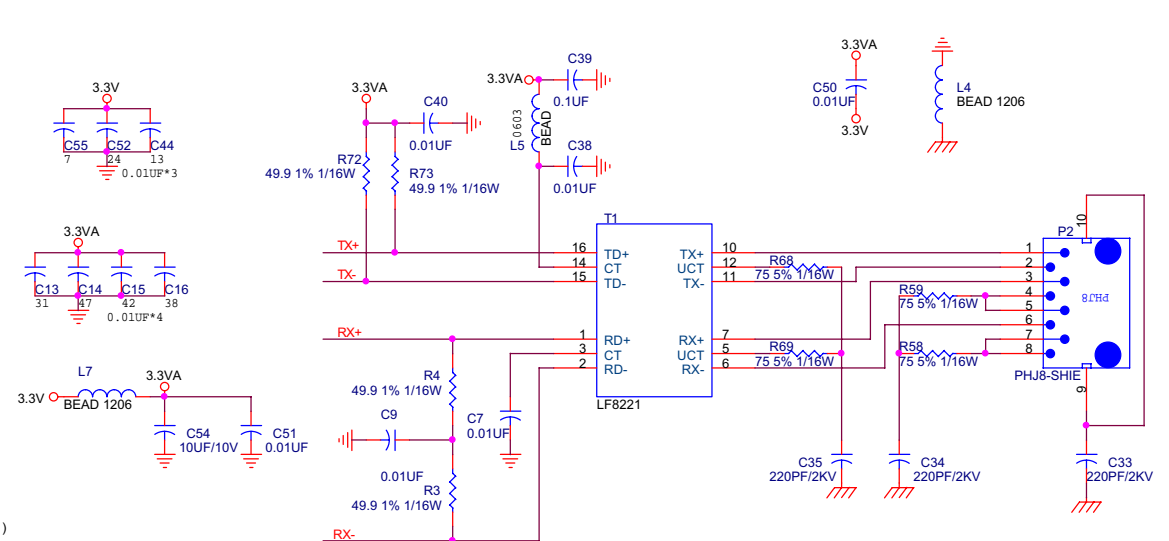
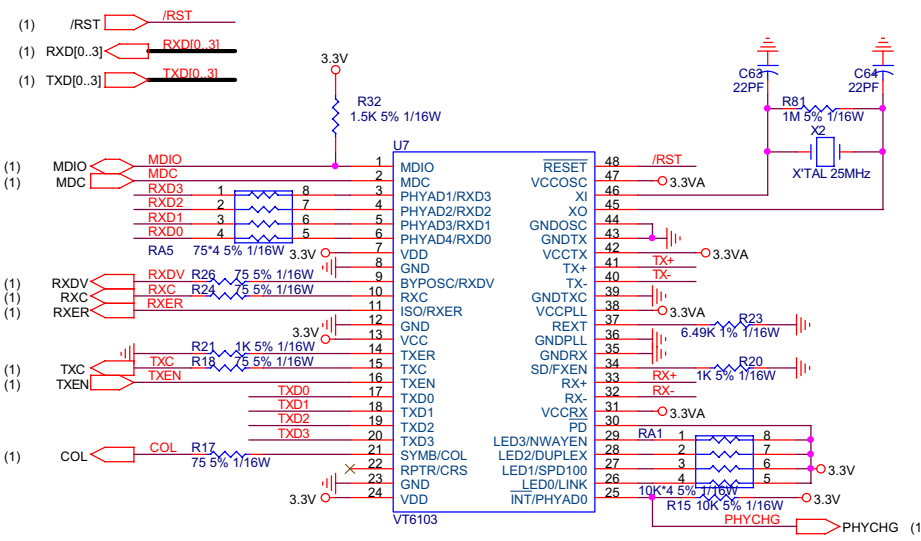
Prepared : York Lin	
Issued Date:	
Title CAS-200W	
Size B	Document Number CPU
Date: Tuesday, November 05, 2002	Sheet 1 of 4
Rev 1B1	

(1,3,4) AD[0..15]  AD[0..15]

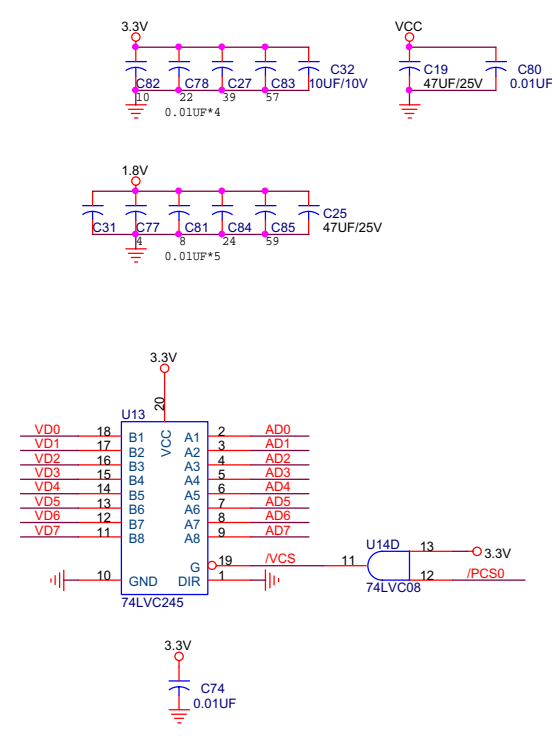
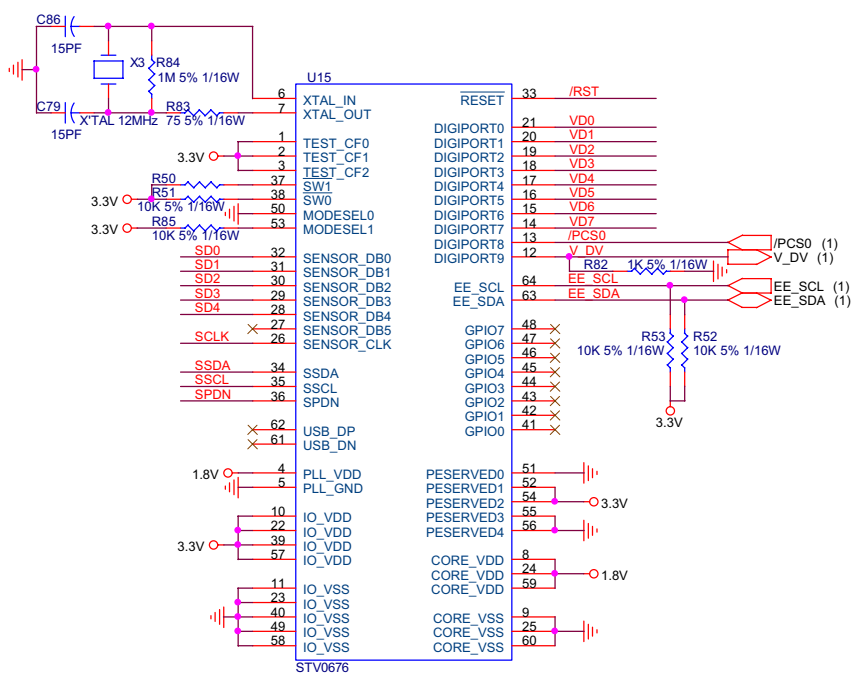
(1,4) A[0..18]  A[0..18]



Prepared: York Lin		
Issued Date:		
Title CAS-200W		
Size B	Document Number Memory & IO	Rev 1B1
Date: Tuesday, November 05, 2002	Sheet 2	of 4

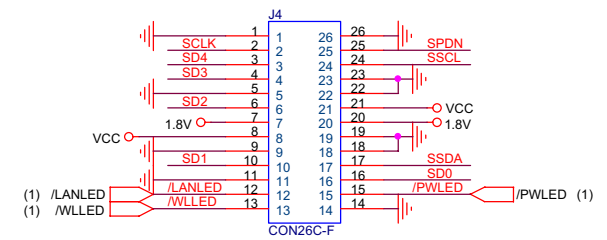


(1,2,4) AD[0..15] ADIO\_15



RXD[0:3] INT# = 00001B | PHY ADDRESS  
 PIN29(LED3)=PU NWAY enable  
 PIN28(LED2)=PU Full duplex  
 PIN27(LED1)=PU Speed 100M  
 PIN26(LED0)=PU Test mode disable  
 PIN34(FXEN)=PD Fiber mode disable

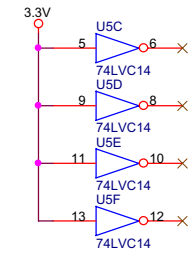
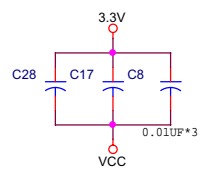
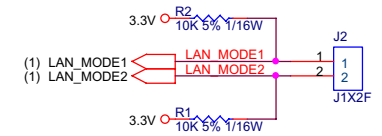
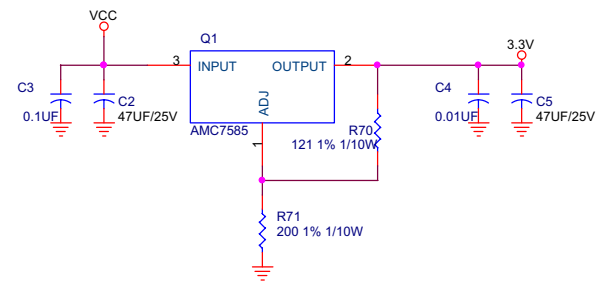
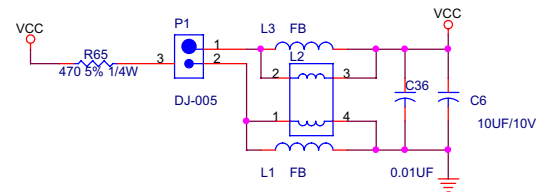
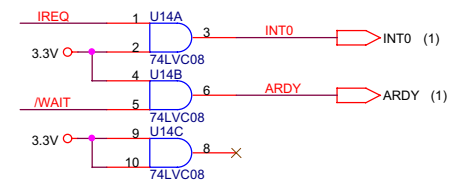
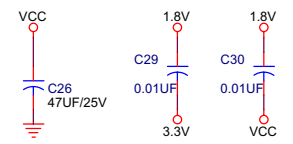
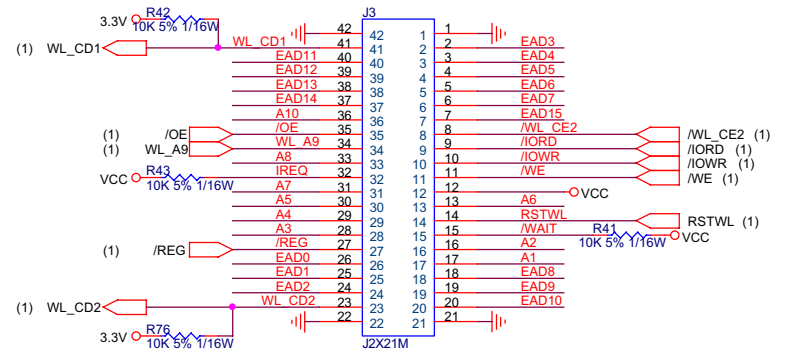
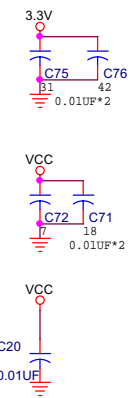
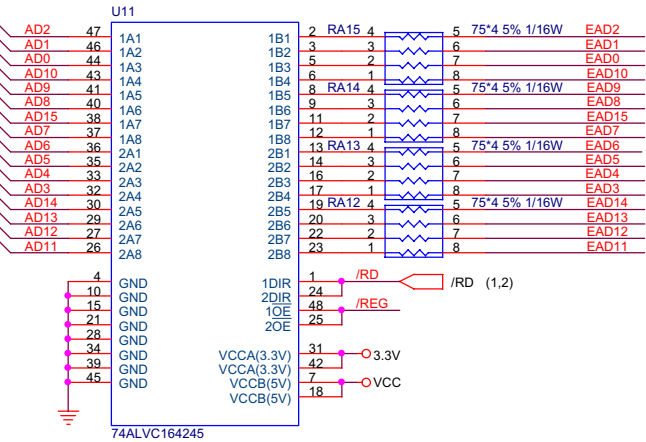
modese1[1:0]=10 | Slave I2C mode  
 SW1 : 1 | Remote wakeup disable  
 SW0 : 1 | Load TWAIN driver data upload disable



Prepared : York Lin
Issued Date:
Title CAS-200W
Size B Document Number PHY & VIEDO
Date: Tuesday, November 05, 2002
Sheet 3 of 4
Rev 1B1

(1,2) A[0..18]

(1,2,3) AD[0..15]



Prepared : York Lin	
Issued Date :	
Title CAS-200W	
Size B	Document Number Wireless & power
Date: Tuesday, November 05, 2002	Sheet 4 of 4
Rev 1B1	