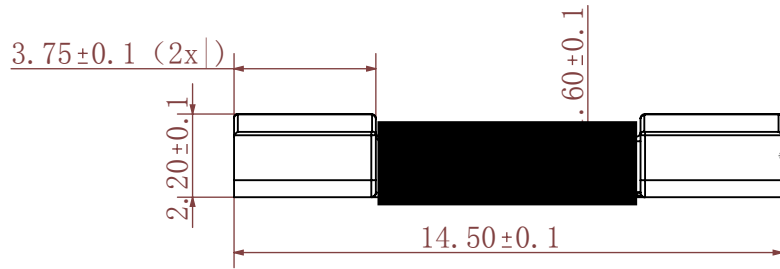
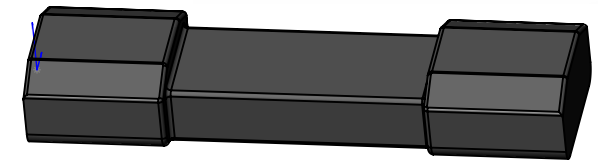
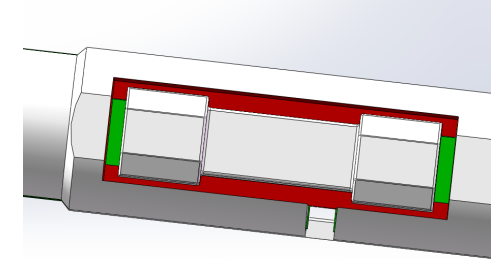
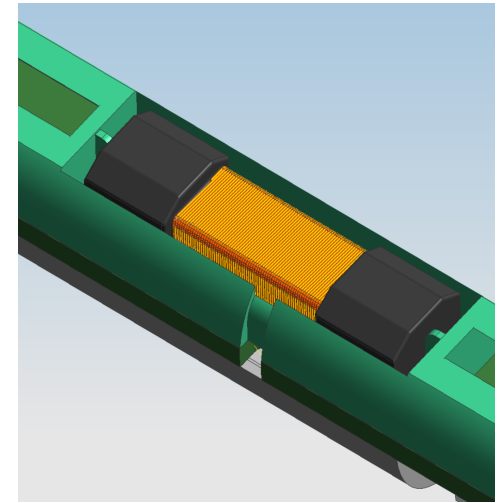
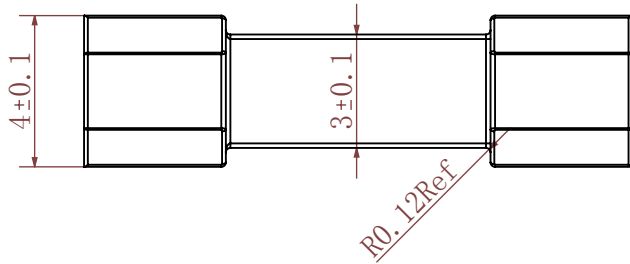
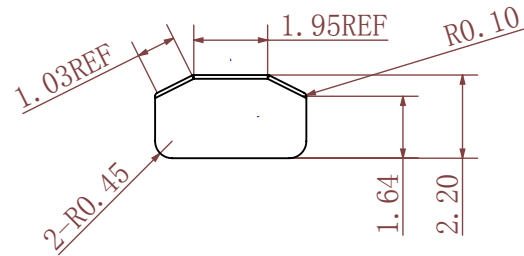


Fixture drawing



TX:2层线圈有0.4mm的厚度 RX:1层线圈有0.2mm的厚度



注：以上尺寸公差含镀黑色环氧



BECOOL TECHNOLOGY

Tolerances unless otherwise specified		Tool No: 镀黑色环氧		Scale: 5:1		Unit: mm	 THIRD ANGLE PROJECTION	
Dimensions in [] are for reference only		Tool Name: 磁棒4.0X2.2X14.5MM		Drawn: Thomas	Date: 2021/11/17 星期三	Rev: A0		
Millimeter Angles: $\pm 0.5^\circ$ X : ± 0.5 X.X : ± 0.13 X.XX : ± 0.05 X.XXX : ± 0.001 X.XXXX : ± 0.0003		Inch Angles: $\pm 0.5^\circ$ X.X : ± 0.02 X.XX : ± 0.005 X.XXX : ± 0.001 X.XXXX : ± 0.0001		Drawing No:		Checked: -	Approved: -	Page: 1
Materials :		The information and designs contained in this drawing are confidential and the proprietary property of ES. Neither this design nor any information contained in this drawing may be reproduced or disclosed to others without the express written consent of ES.						

Rev.	Date	Change Description
Change History		