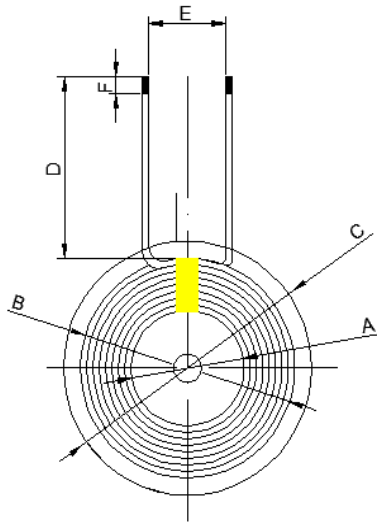


# Dongguan Ji Ou electronic technology Co., LTD

## specification

Document number	T-301705	Product name	Transmitting coil module
product size	$\Phi 30*5*H2.5$	Bonding mode	Acetone self-adhesive



Frequency  
Range: 110.0KHz  
to 205.0KHz.

A	B	C	D	E	F	G	H	remark
$\phi 15 \pm 0.5$	$\phi 29.5 \pm 1$	$\phi 30 \pm 0.5$	$25 \pm 0.5$	$8 \pm 1$	$3 \pm 1$	$2.5 \pm 0.1$	$1 \pm 0.1$	unit of size (MM)
materials	silk-covered wire 0.06*105		way of winding		Outside-out winding			
Number of turns	11 Ts		Coil size		$\Phi 30 * \Phi 17 * 10T$			
L	$6.4\mu H \pm 10\%$		Diskette size		$\Phi 30 * 5.0 * 1.0$			
test equipment	digital electric bridge					test mode	Series test	
customer comment								
table making	刘娟	check	罗银宾	verify	罗杰	date	20191130	