

SCHEMATIC CONTENTS

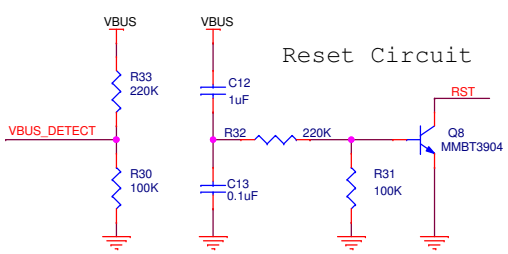
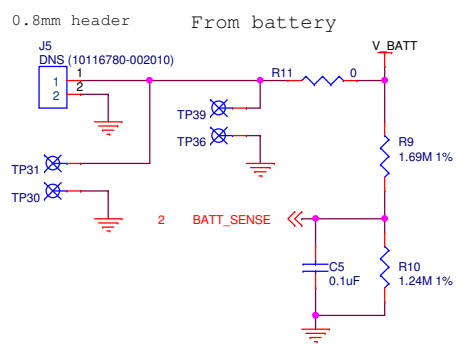
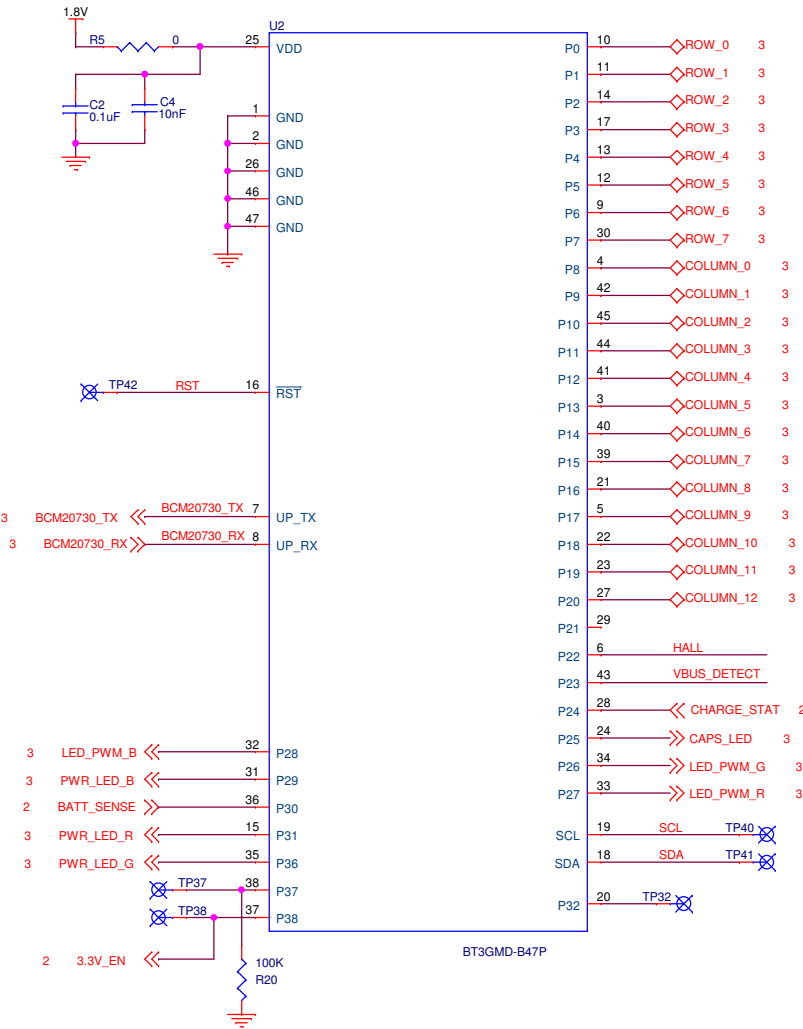
- SHEET 1 - TITLE PAGE
- SHEET 2 - MICROCONTROLLER
- SHEET 3 - CONNECTORS & SWITCHES

ZAGG / ID6ZFN-BK0

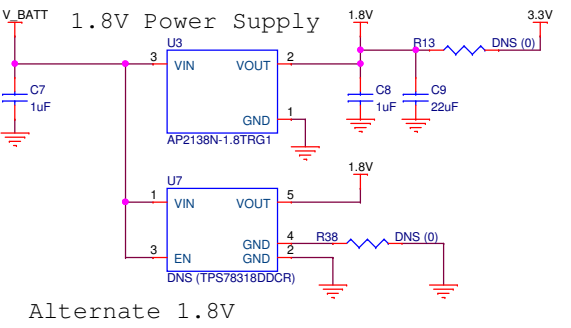
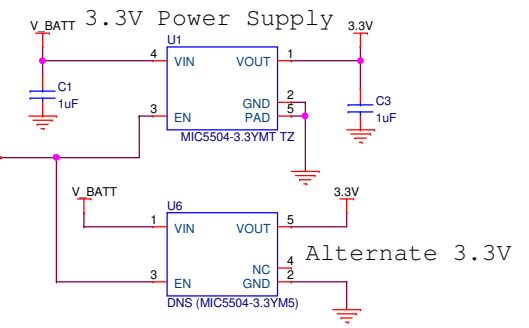
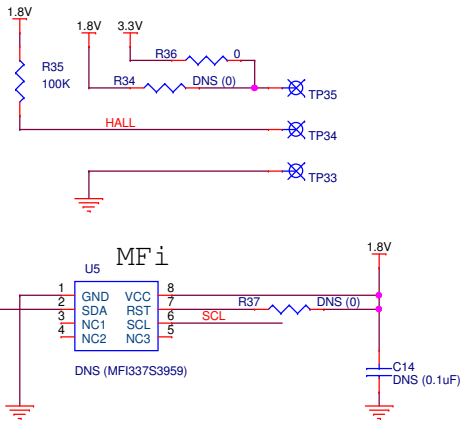
PCB	V026065	UNLESS OTHERWISE SPECIFIED DIMENSIONS ARE IN MILLIMETERS (INCHES) TOLERANCES ARE: FRACTIONS DECIMALS ANGLES	DRAWN	Bill Sackett	2014-08-20
BOM	V026066		COG E		
		MATERIAL	PEER		
		FINISH	EE		
RELATED DOCUMENTS	DO NOT SCALE DRAWING		PM		
			QA		
			PROPRIETARY		

VPI Engineering			
11814 South Election Road, Suite 200, Draper, UT 84020 Phone (801) 495-2310 FAX (801) 495-2255			
Page Title		Copyright 2014 All Rights Reserved	
TITLE PAGE			
Size B	Document Number V026064	Title Zagg Keyboard Common Main	Rev 02
Date: Wednesday, August 27, 2014		Sheet 1 of 3	

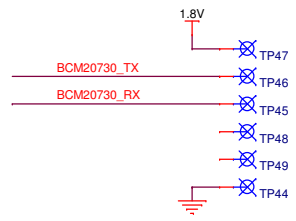
Bluetooth Transceiver



Hall IC Connection



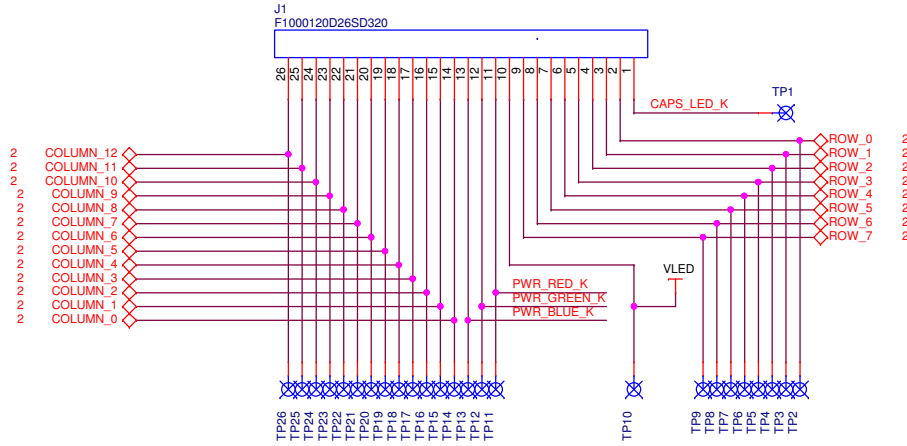
Programming Testpoints



VPI Engineering			
11814 South Election Road, Suite 200, Draper, UT 84020			
Phone (801) 495-2310			
FAX (801) 495-2255			
Copyright 2014 All Rights Reserved			
Page Title			
Microcontroller			
Size B	Document Number	Title	Rev
	V026064	Zagg Keyboard Common Main	02
Date: Wednesday, August 27, 2014	Sheet	2 of	3
PROPRIETARY			

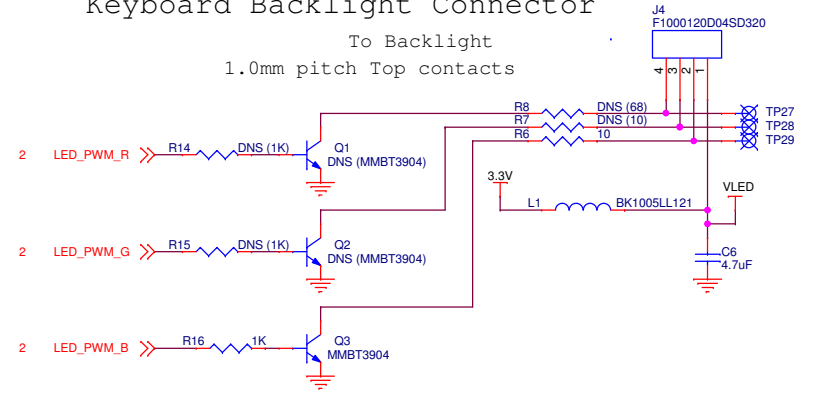
Keyboard Connector

1.0mm pitch Top contacts

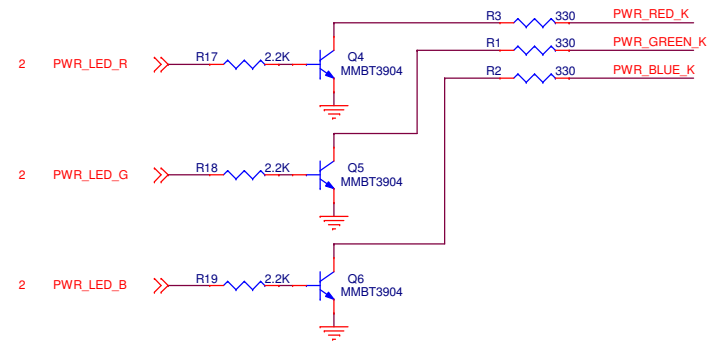


Keyboard Backlight Connector

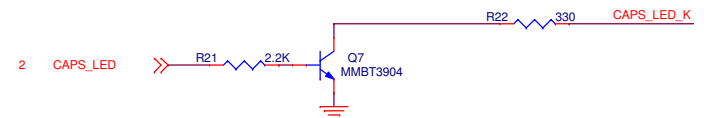
To Backlight
1.0mm pitch Top contacts



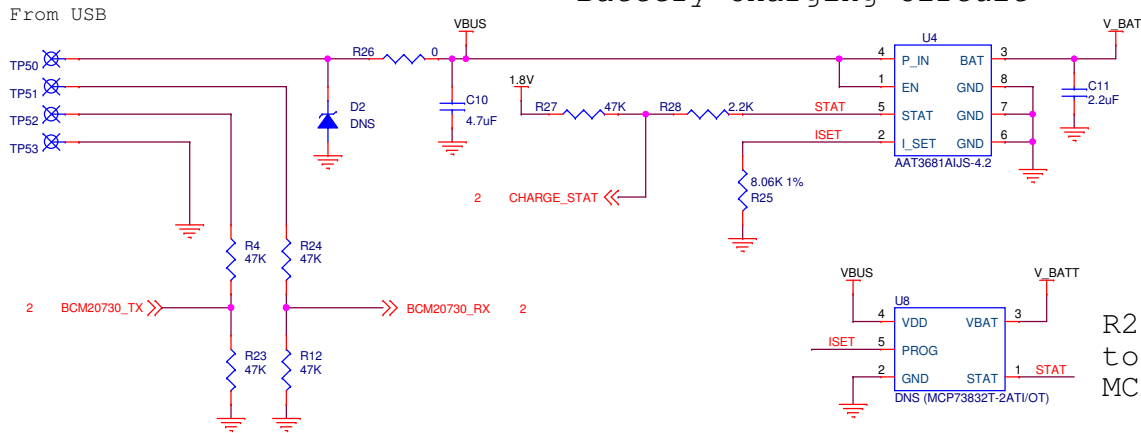
Power Button LEDs



Caps lock LED



Battery Charging Circuit



R25 should change to 4.99K when using MCP or 4054 charger

Alternate Charger

VPI Engineering			
11814 South Election Road, Suite 200, Draper, UT 84020			
Phone (801) 495-2310			
FAX (801) 495-2255			
Copyright 2014 All Rights Reserved			
Page Title			
Connectors & Switches			
Size B	Document Number V026064	Title Zagg Keyboard Common Main	Rev 02
Date: Wednesday, August 27, 2014	Sheet 3	of 3	
PROPRIETARY			