

4

3

2

1

D

D

C

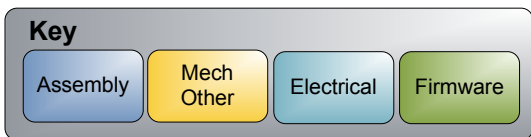
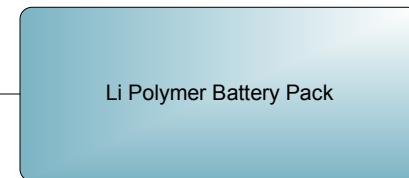
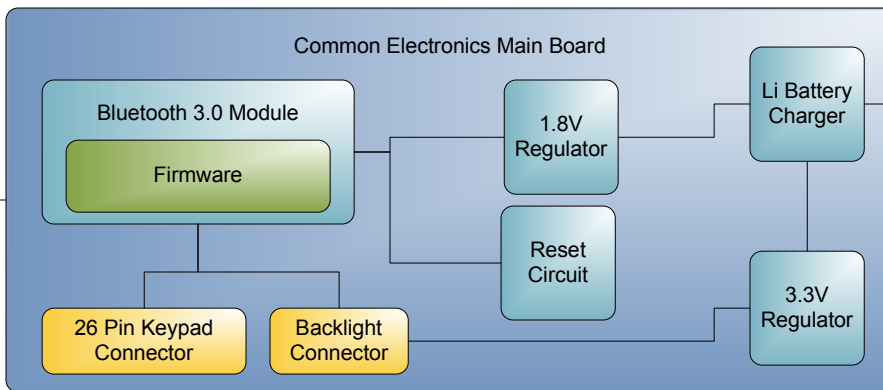
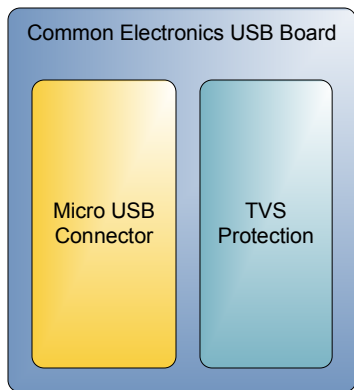
C

B

B

A

A



**PROPRIETARY**

ZAGG / ID6ZFN-BK0

APPROVALS	DATE	
PREPARED BY	10/24/14	
COG ENG		Phone (801) 495-2310 • FAX (801) 495-2255
PROJECT MANAGER		Common Electronics
QA		
RELEASED		DWG. NO. V027799_01_Common_Electronics_System_Block_Diagr Page 1 of 1

4

3

2

1

am.vsd