



# HALO<sup>®</sup>

## WIRELESS CHARGING DOCK WITH POWER BANK

Contains a 10,000 mAh internal battery



OPERATING INSTRUCTIONS  
PLEASE READ BEFORE OPERATING THIS EQUIPMENT



## **HALO WIRELESS CHARGING DOCK WITH POWER BANK**

Thank you for choosing the HALO WIRELESS CHARGING DOCK WITH POWER BANK.

Please read the operating instructions carefully before using the HALO WIRELESS CHARGING DOCK WITH POWER BANK.

## IMPORTANT SAFETY INSTRUCTIONS

### SAVE THESE INSTRUCTIONS

**WARNING:** When using this product, basic precautions should always be followed, including the following:

- Read all the instructions before using the product.
- To reduce the risk of injury, close supervision is necessary when the product is used near children.
- Do not put fingers or hands into the product.
- Do not expose product to rain or snow.
- Use of a power supply or charger not recommended or sold by product manufacturer may result in a risk of fire or injury to persons.
- Do not use the product in excess of its output rating. Overload outputs above rating may result in a risk of fire or injury to persons.
- Do not use the product that is damaged or modified. Damaged or modified product may exhibit unpredictable behavior resulting in fire, explosion or risk of injury.
- Do not disassemble the product. Take it to a qualified service person when service or repair is required. Incorrect reassembly may result in a risk of fire or injury to persons.
- Do not expose a product to fire or excessive temperature. Exposure to fire or temperature above 100°C/212°F may cause explosion.
- Unplug the product when not in use.
- Improper use of this product may result in product damage, excess heat, toxic fumes, fire or explosion, for which damages you ("Purchaser"), and not HALO2CLOUD LLC. (HALO) ("Manufacturer") are responsible.
- This product should be operated only in open-air conditions. It should not be operated in an enclosed, unventilated space such as a carrying bag, pocket, purse or bedding. Failure to follow these instructions may damage the product by overheating.
- Be cautious of drops, bumps, abrasions, or other impacts to this product. If there is any damage to the product such as dents, punctures, tears, deformities, or corrosion due to any cause, discontinue use. Contact Manufacturer or dispose of it in an appropriate manner.
- Do not disassemble this product or attempt to re-purpose or modify it in any manner.
- Do not attempt to replace any part of this device.

- Have servicing performed by a qualified repair person using only identical replacement parts. This will ensure that the safety of the product is maintained.
- Never dispose of batteries in the garbage. Disposal of batteries in the garbage may be unlawful under state and federal environmental laws and regulations. Always take used batteries to your local battery-recycling center.
- The lithium-ion rechargeable battery used in this device may present a risk of fire or chemical burn if mistreated. Do not expose to fire or excessive temperature.
- For questions or instructions for the various ways to charge this device, refer to the illustrations in this operating instructions.
- If this device is accessible to or may be used by a minor, purchasing adult agrees to be solely responsible for providing supervision, instruction, and warnings. Purchaser agrees to defend, indemnify, and hold Manufacturer harmless for any claims or damages arising from unintended use or misuse by a minor.
- All products have gone through a thorough quality assurance inspection. If you find that your device is excessively hot, is emitting odor, is deformed, abraded, cut, or is experiencing or demonstrating an abnormal phenomenon, immediately stop all product use and contact Manufacturer.
- This device has been evaluated to meet general RF exposure requirement. The device can be used in portable exposure condition without restriction.
- Switch off the power bank when not in use.

**CAUTION: Risk of Fire and Burns. Do Not Open, Crush, Heat Above (100°C) or Incinerate. Do not place any metal obstructions between the wireless charging pad and your electronic device while charging wirelessly. Follow Manufacturer's Instructions.**

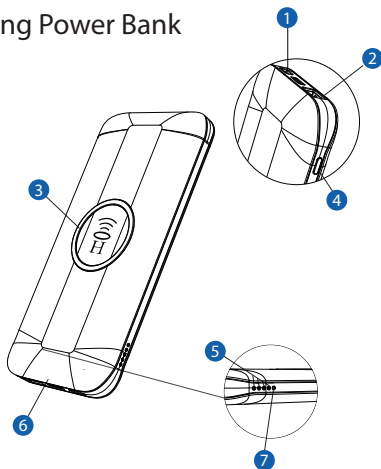
## **TABLE OF CONTENTS**

Safety Precautions	4-5
Included Items	7
Operating Instructions	8-11
Specifications	12
Warranty and Contact Information	14

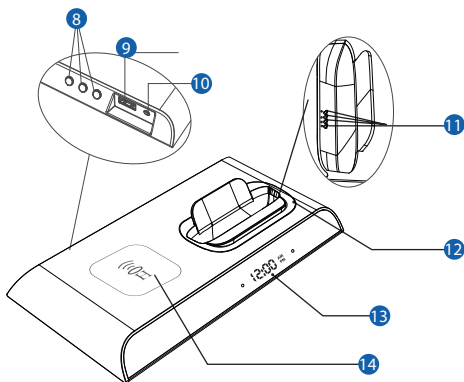
## INCLUDED ITEMS

- Wireless Charging Dock
- Wireless Charging Power Bank
- AC Charging Adapter

### Wireless Charging Power Bank



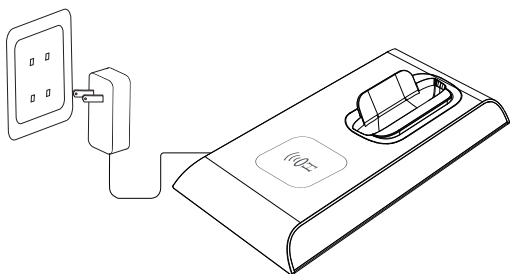
### Wireless Charging Dock



- |   |                                 |    |                                 |
|---|---------------------------------|----|---------------------------------|
| 1 | USB Type-C Input/Output         | 8  | LCD Clock Controls              |
| 2 | USB A Output                    | 9  | USB A Output                    |
| 3 | Wireless Charging Output        | 10 | DC Input                        |
| 4 | Wireless Charging ON/OFF Button | 11 | Docking Station Pogo Pin Output |
| 5 | Battery Indicators              | 12 | Non-slip Silicone Pad           |
| 6 | Power Bank Pogo Pin Input       | 13 | LCD Clock Display               |
| 7 | Wireless Charging LED Indicator | 14 | Wireless Charging Output        |

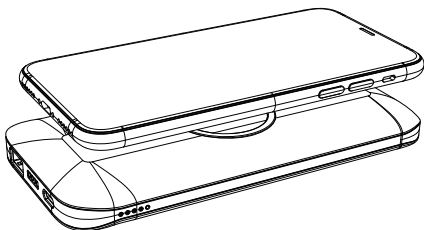
## OPERATING INSTRUCTIONS

The HALO WIRELESS CHARGING DOCK can be charged using the supplied wall plug. The charge time is 3-4 hours.

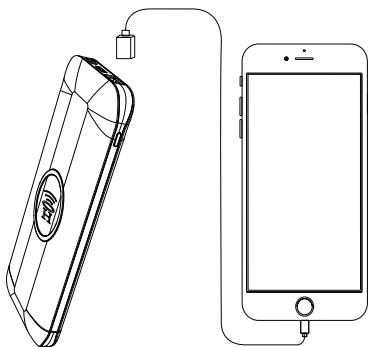


There are several ways to charge your smartphone.

### 1. Via Wireless Charging Power Bank

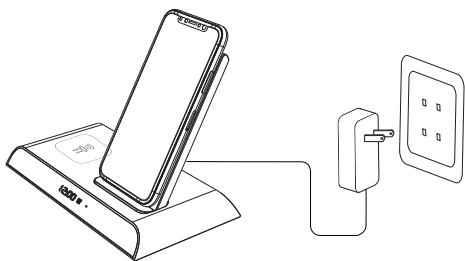


### 2. Via the USB-A or USB-C port on the Wireless Charging Power Bank.

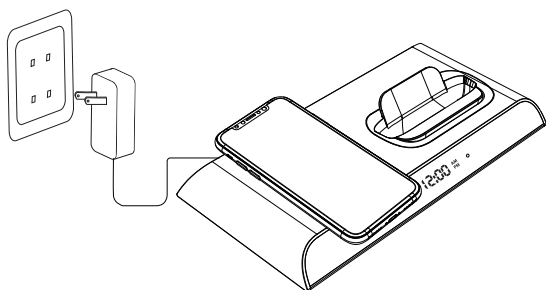




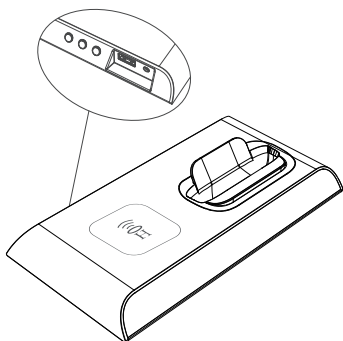
3. Via Wireless Charging Power Bank while connected to the charging dock.



4. Via built-in wireless pad on the HALO WIRELESS CHARGING DOCK



5. Via the USB-A output port on the back of the wireless charging dock.



## SETTING THE CLOCK DISPLAY

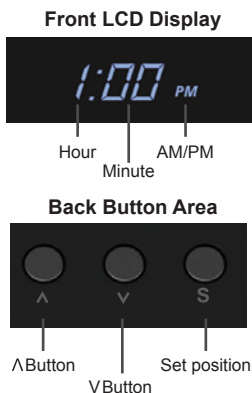
To set the correct time, locate the adjustment buttons on the back of the charging dock base.

**S Button:** Press the button to select the hours or minutes value to adjust. Blinking will indicate the value has been selected.

**Λ Button:** Press button to increase the selected value.

**V Button:** Press button to decrease the selected value.

**AM/PM Selection:** Scroll the time in 12 hour increments to change from AM to PM.



## 10,000 POWER BANK BATTERY INDICATORS



0%-25%  
LED1 BLINK



25%-50%  
LED1 ON  
LED2 BLINK



50%-75%  
LED1~LED2  
ON LED3 BLINK



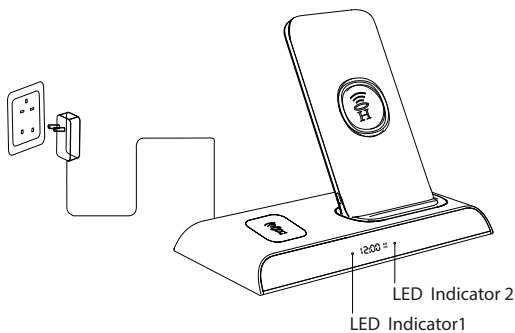
75%-99%  
LED1~LED3  
ON LED4 BLINK



100%  
LED1~LED4 ON

The top most battery indicator will turn from blue to green when smartphone is successfully being charged wirelessly.





When the smartphone is on the dock, LED Indicator 1 will be white. When the Power Bank is on the dock, LED Indicator 2 will be white.

### **CHARGING YOUR PERSONAL ELECTRONIC DEVICE**

Use the appropriate USB charging cable with the HALO WIRELESS CHARGING DOCK to charge your electronic device. Once your electronic device is connected, it will begin charging automatically.

#### **NOTE:**

- Use the USB cable that was supplied with your electronic device.
- The HALO WIRELESS CHARGING DOCK may be charged and discharged simultaneously.

## SPECIFICATIONS

### Wireless Charging Power Bank

Battery Capacity:	Contains 10,000mAh internal battery/ 37Wh
Type-C PD Input:	5V=3A, 9V=2A, 12V=1.5A
Pogo Pin Input:	9V=2A
Type-C PD Output:	5V=3A, 9V=2A, 12V=1.5A
USB-A Output:	DC 5V=3A, DC 9V=2A DC 12V=1.5A
Wireless Output:	5W, 7.5W, 10W (Max)
Power Bank Dimensions:	2.9 x 6 x 0.6 inches
Weight:	0.53 lbs
Operating Temperature:	32°F - 113°F (0 - 45°C)

### Wireless Charging Dock

Wireless Charging Dock Input:	DC 9V=4A
Wireless Output:	5W, 7.5W, 10W (Max)
USB-A Output:	DC 5V=2A
Pogo Pin Output:	9V=2A
Charging Dock Dimensions:	7.5 x 3.9 x 1.2 inches
Weight:	0.36 lbs
Operating Temperature:	32°F - 113°F (0 - 45°C)

## COMPLIANCE WITH FCC REGULATION

This equipment should be installed and operated with minimum distance 20cm between the radiator & your body. This device complies with part 15 of the FCC Rules. Operation is subject to the following two conditions: (1) This device may not cause harmful interference, and (2) this device must accept any interference received, including interference that may cause undesired operation.

### NOTE:

This equipment has been tested and found to comply with the limits for a Class B digital device, pursuant to part 15 of the FCC Rules. These limits are designed to provide reasonable protection against harmful interference in a residential installation. This equipment generates, uses, and can radiate radio frequency energy and, if not installed and used in accordance with the instructions, may cause harmful interference to radio communications. However, there is no guarantee that interference will not occur in a particular installation.

If this equipment does cause harmful interference to radio or television reception, which can be determined by turning the equipment off and on, the user is encouraged to try to correct the interference by one or more of the following measures:

- Reorient or relocate the receiving antenna.
- Increase the separation between the equipment and receiver.
- Connect the equipment into an outlet on a circuit different from that to which the receiver is connected.
- Consult the dealer or an experienced technician for help.
- Any changes or modifications not expressly approved by the party responsible for compliance could void the user's authority to operate the equipment

**CAUTION:** To comply with the limits of the Class B digital device, pursuant to Part 15 of the FCC Rules, this device must be used with certified peripherals and shielded cables. All peripherals must be shielded and grounded. Operation with non-certified peripherals or non-shielded cables may result in interference to radio or reception.

## **LEGAL**

Manufacturer shall not in any way be liable to you or to any third party for any damages you or any third party may suffer as a result of use, intended or unintended, or misuse of this product in conjunction with any device or accessory other than the appropriate device for which this product is designed. Manufacturer will not be responsible for any damages you or any third party may suffer as a result of misuse of this product as outlined above. Purchaser agrees to defend, indemnify, and hold Manufacturer harmless for any claims or damages arising from unintended use or misuse, including use with an unintended device.

## LIMITED WARRANTY

HALO2CLOUD LLC. (HALO) warrants its products to be free from defects in material and workmanship under normal use.

For all questions about the warranty or exchange requests, please call 888-907-6274, or contact us at <https://www.zagg.com/warranty-policies>.

This Limited Warranty sets forth the full scope of HALO's obligations and liabilities with respect to the product. All implied warranties, including without limitation the implied warranties of merchantability and fitness for a particular purpose, are limited to the duration of this Limited Warranty. In no event shall HALO be liable for any incidental, special, consequential or punitive damages or any damages or losses of or to electronic equipment or products that are used with any of HALO's products.





FOR TECHNICAL SUPPORT PLEASE  
CONTACT US AT:

**ZAGG.COM/SUPPORT**  
OR  
CALL US AT: **888-907-6274**

**HALO**  
**910 W LEGACY CENTER WAY**  
**STE. 500, MIDVALE, UTAH 84047**

**WWW.ZAGG.COM/HALO**

© 2020 ZAGG Inc | [www.ZAGG.com/HALO](http://www.ZAGG.com/HALO)  
The HALO and H trademarks are the property of ZAGG Inc.  
USB-C is a registered trademark of the USB Implementer's Forum.  
All rights reserved.  
314-00917-A

ZAGG Inc | 910 W Legacy Center Way,  
Ste. 500, Midvale, Utah 84047  
Made in China.

