



HALO<sup>®</sup>  
WIRELESS HUB



OPERATING INSTRUCTIONS  
PLEASE READ BEFORE OPERATING THIS EQUIPMENT



## **HALO WIRELESS HUB**

Thank you for choosing the HALO WIRELESS HUB. Innovative and easy to use, the HALO WIRELESS HUB provides a powerful and universal charging source for both wireless and non-wireless devices.

Please read the operating instructions carefully before using the HALO WIRELESS HUB.

## IMPORTANT SAFETY INSTRUCTIONS

### SAVE THESE INSTRUCTIONS

**WARNING:** When using this product, basic precautions should always be followed, including the following:

- Read all the instructions before using the product.
- To reduce the risk of injury, close supervision is necessary when the product is used near children.
- Do not put fingers or hands into the product.
- Do not expose product to rain or snow.
- Use of a power supply or charger not recommended or sold by product manufacturer may result in a risk of fire or injury to persons.
- Do not use the product in excess of its output rating. Overload outputs above rating may result in a risk of fire or injury to persons.
- Do not use the product that is damaged or modified. Damaged or modified product may exhibit unpredictable behavior resulting in fire, explosion or risk of injury.
- Do not disassemble the product. Take it to a qualified service person when service or repair is required. Incorrect reassembly may result in a risk of fire or injury to persons.
- Do not expose a product to fire or excessive temperature. Exposure to fire or temperature above 70°C/158°F may cause explosion.
- Unplug the product when not in use.
- Improper use of this product may result in product damage, excess heat, toxic fumes, fire or explosion, for which damages you ("Purchaser"), and not HALO2CLOUD LLC. (HALO) ("Manufacturer") are responsible.
- This product should be operated only in open-air conditions. It should not be operated in an enclosed, unventilated space such as a carrying bag, pocket, purse or bedding. Failure to follow these instructions may damage the product by overheating.
- Be cautious of drops, bumps, abrasions, or other impacts to this product. If there is any damage to the product such as dents, punctures, tears, deformities, or corrosion due to any cause, discontinue use. Contact Manufacturer or dispose of it in an appropriate manner.
- Do not disassemble this product or attempt to re-purpose or modify it in any manner.
- Do not attempt to replace any part of this device.
- For questions or instructions for the various ways to charge this device, refer to the illustrations in this operating instructions.
- If this device is accessible to or may be used by a minor,

purchasing adult agrees to be solely responsible for providing supervision, instruction, and warnings. Purchaser agrees to defend, indemnify, and hold Manufacturer harmless for any claims or damages arising from unintended use or misuse by a minor.

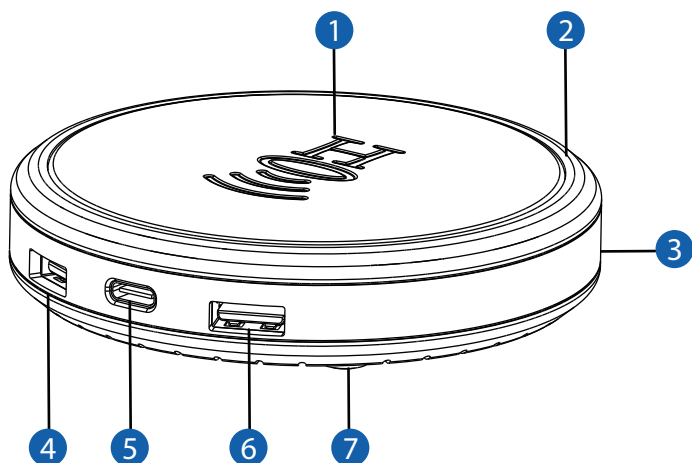
- All products have gone through a thorough quality assurance inspection. If you find that your device is excessively hot, is emitting odor, is deformed, abraded, cut, or is experiencing or demonstrating an abnormal phenomenon, immediately stop all product use and contact Manufacturer.
- This device has been evaluated to meet general RF exposure requirement. The device can be used in portable exposure condition without restriction.

## **TABLE OF CONTENTS**

Safety Precautions	4-5
Included Items	7
Operating Instructions	8-9
Specifications	9
Warranty and Contact Information	11

## INCLUDED ITEMS

- HALO WIRELESS HUB
- AC Adapter
- USB-A to Micro USB
- USB-A to Lightning Cable
- USB-A to USB-C Cable

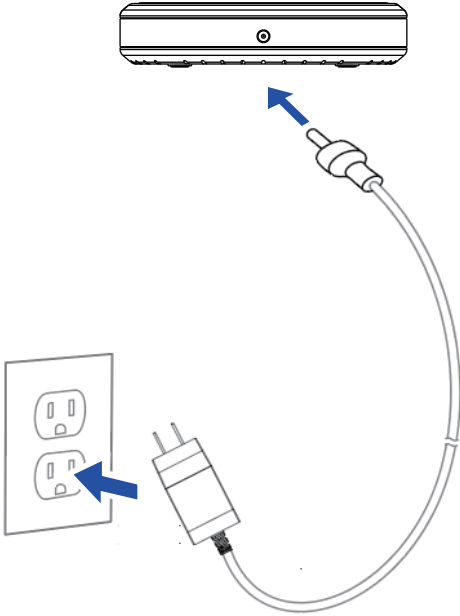


- 1 | Wireless Charging
- 2 | Ring Light
- 3 | AC Power Port
- 4 | USB-A Output Port 1
- 5 | USB-C Port
- 6 | USB-A Output Port 2
- 7 | Non-slip Feet

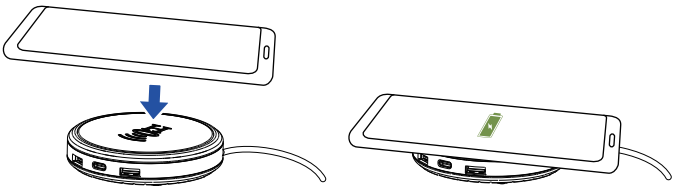
# OPERATING INSTRUCTIONS

## POWERING YOUR HALO WIRELESS HUB

The HALO WIRELESS HUB can be powered using the AC Adapter. Connect the supplied AC wall adapter to the charging base and to the wall outlet.



Place the wireless device on the HALO WIRELESS HUB as shown in the illustration below. Make sure the center of the device is aligned over the center of the charging base. Charging will begin on contact.





## HALO WIRELESS HUB RING LIGHT

- When the HALO WIRELESS HUB is powered on, the Ring Light flashes for 5 seconds, then turns off.
- While charging, the Ring Light flashes for 15 seconds, then turns off.
- When a foreign object is detected or if there is an error, the Ring Light will flash and the Output Ports will turn off.

## CHARGING YOUR PERSONAL ELECTRONIC DEVICE

Use the appropriate charging cable that came with the HALO WIRELESS HUB to charge your electronic device. You can charge up to four devices simultaneously. Once your electronic device is connected, charging will begin automatically.

### NOTE:

You may also use the USB cable that was supplied with your electronic device.

## SPECIFICATIONS

USB-C Input:	15V/4A
WPC output:	10W(Qi-BPP 5W,IOS7.5W,Samsung 10W)
TYPE-C output:	5V/3A 9V/2A 12V/1.5A(PD18W)
USB-A1 output:	5V/3A 9V/2A 12V/1.5A(QC18W)
USB-A2 output:	5V/2.4A
USB-A1+USB-A2 outout:	15W MAX
Dimensions (L x W x H):	3.78 X 0.87 inches
HALO WIRELESS HUB Weight:	0.2 lbs
AC Adapter Weight:	0.4 lbs
Operating Temperature:	32°F - 104°F (0°C - 40°C)
Storage Temperature:	68°F - 158°F (20°C - 70°C)

## COMPLIANCE WITH FCC REGULATION

This device complies with part 15 of the FCC Rules. Operation is subject to the following two conditions: (1) This device may not cause harmful interference, and (2) this device must accept any interference received, including interference that may cause undesired operation.

### NOTE:

This equipment has been tested and found to comply with the limits for a Class B digital device, pursuant to part 15 of the FCC Rules. These limits are designed to provide reasonable protection against harmful interference in a residential installation. This equipment generates, uses, and can radiate radio frequency energy and, if not installed and used in accordance with the instructions, may cause harmful interference to radio communications. However, there is no guarantee that interference will not occur in a particular installation.

If this equipment does cause harmful interference to radio or television reception, which can be determined by turning the equipment off and on, the user is encouraged to try to correct the interference by one or more of the following measures:

- Reorient or relocate the receiving antenna.
- Increase the separation between the equipment and receiver.
- Connect the equipment into an outlet on a circuit different from that to which the receiver is connected.
- Consult the dealer or an experienced technician for help.
- Any changes or modifications not expressly approved by the party responsible for compliance could void the user's authority to operate the equipment

### FCC Radiation Exposure Statement

This equipment complies with FCC radiation exposure limits set forth for an uncontrolled environment. This equipment should be installed and operated with minimum distance 20cm between the radiator & your body

**CAUTION:** To comply with the limits of the Class B digital device, pursuant to Part 15 of the FCC Rules, this device must be used with certified peripherals and shielded cables.

All peripherals must be shielded and grounded. Operation with non-certified peripherals or non-shielded cables may result in interference to radio or reception.

**MODIFICATION:** Any changes or modifications not expressly approved by the party responsible for compliance could void the user's authority to operate the equipment.

## **LEGAL**

Manufacturer shall not in any way be liable to you or to any third party for any damages you or any third party may suffer as a result of use, intended or unintended, or misuse of this product in conjunction with any device or accessory other than the appropriate device for which this product is designed. Manufacturer will not be responsible for any damages you or any third party may suffer as a result of misuse of this product as outlined above. Purchaser agrees to defend, indemnify, and hold Manufacturer harmless for any claims or damages arising from unintended use or misuse, including use with an unintended device.

## **LIMITED WARRANTY**

HALO2CLOUD LLC. (HALO) warrants its products to be free from defects in material and workmanship under normal use. During the first 90 days from date of purchase, HALO will repair or replace the defective product.

For all questions about the warranty or exchange requests, please call 888-907-6274, or contact us at <https://www.zagg.com/warranty-policies>.

This Limited Warranty sets forth the full scope of HALO's obligations and liabilities with respect to the product. All implied warranties, including without limitation the implied warranties of merchantability and fitness for a particular purpose, are limited to the duration of this Limited Warranty. In no event shall HALO be liable for any incidental, special, consequential or punitive damages or any damages or losses of or to electronic equipment or products that are used with any of HALO's products.



FOR TECHNICAL SUPPORT PLEASE  
CONTACT US AT:

**ZAGG.COM/SUPPORT**  
OR  
CALL US AT: **888-907-6274**

**HALO**  
**910 W LEGACY CENTER WAY**  
**STE. 500, MIDVALE, UTAH 84047**

**WWW.ZAGG.COM/HALO**

© 2020 ZAGG Inc | [www.ZAGG.com/HALO](http://www.ZAGG.com/HALO)

The HALO and H trademarks are the property of ZAGG Inc.

USB-C is a registered trademark of the USB Implementer's Forum.

Lightning is a trademark of Apple Inc., registered in the U.S. and other countries.

All rights reserved.

314-00857-A

ZAGG Inc | 910 W Legacy Center Way,  
Ste. 500, Midvale, Utah 84047  
Made in China.

