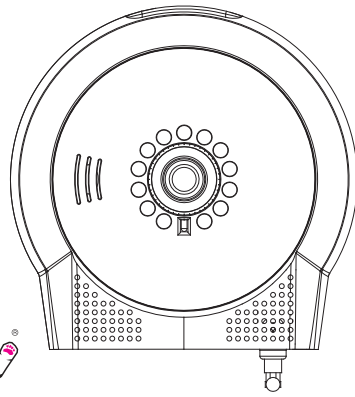




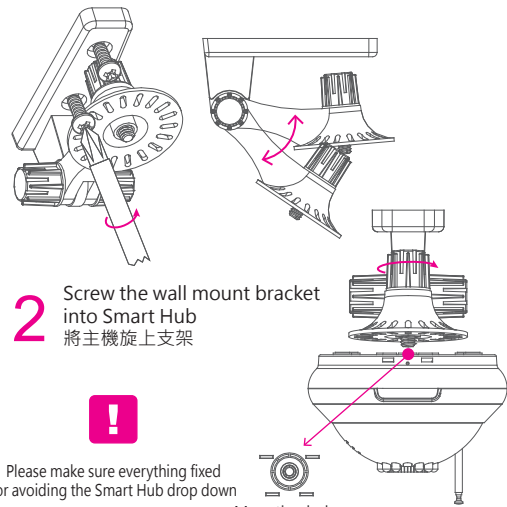
### Cloud Smart IP Camera and Hub – Dome Style 遙控攝影智能中心 (居家型)

#### Installation Instructions 安裝說明

WS-533B



**1** Screw the wall mount bracket onto the wall and adjust the angle  
安裝支架在牆壁上並調整好角度

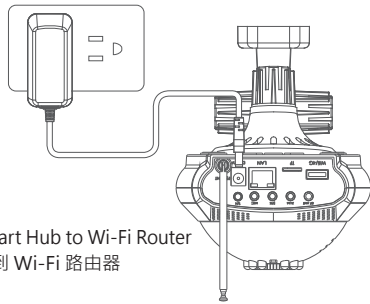


**2** Screw the wall mount bracket into Smart Hub  
將主機旋上支架

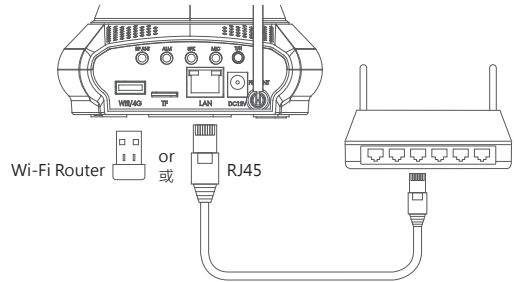
**!** Please make sure everything fixed for avoiding the Smart Hub drop down  
請妥善安裝 避免主機掉落發生危險

Mounting holes  
安裝孔

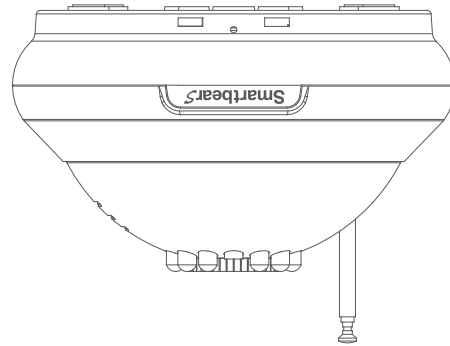
**3** Connect to power transformer  
將變壓器插上插座並接上電源



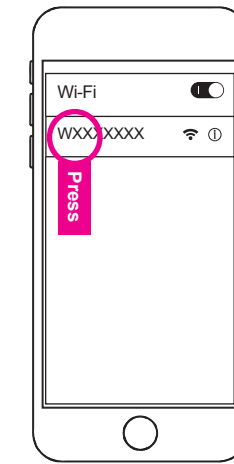
**4** Connect Smart Hub to Wi-Fi Router  
將主機連接到 Wi-Fi 路由器



**5** 3 minutes to activate after power on then the LED indicator turns to blue  
啟動電源3分鐘後 LED 指示燈變成藍色



**6** Wi-Fi Connection  
無線連接方式



Turn on Wi-Fi and search the hot spot  
開啟 Wi-Fi 並且搜尋基地台

Press the hot spot (no password required)  
點選連接基地台 (無需輸入密碼)

If you connect to the internet by network cable, please ignore this step.  
如使用網路線連接 請跳過此步驟

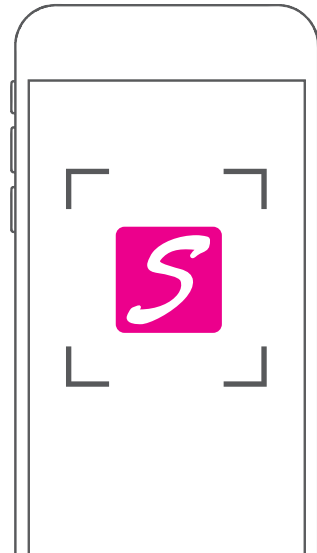
**7** Scan the QR Code to download Smartbears APP  
掃描 QR Code 下載 Smartbears APP



Support Android 4.1.2 and above  
支援 Android 4.1.2 以上版本



Support IOS 7/8/9 (iPad/iPhone/iPod)  
支援 IOS 7/8/9 (iPad/iPhone/iPod)



1. Wired connection setting, use RJ45 to connect IPCAM and Wi-Fi Router  
2. Wireless connection setting, please have the smart phone/pad to connect to IPCAM Wi-Fi AP, to search SSID (Wxxxxxxx) and make connection.

1. 有線連接設定需使用 RJ45 連接 Wi-Fi 路由器  
2. 無線連接設定需先在手機 / 平板搜尋無線 AP 的 SSID (WXXXXXXX) 並連接



Press / 點選 +  
Add camera / 添加攝影機

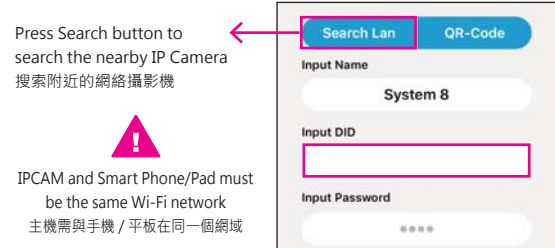


Default password  
密碼 1234



Enter the IP Camera ID# (18 digits) of the sticker  
輸入 IP 攝影機編號 (18 位數)  
WFLY000XXXXXXXXXX

Default password  
密碼 1234



Press Search button to search the nearby IP Camera  
搜索附近的網絡攝影機

**!** IPCAM and Smart Phone/Pad must be the same Wi-Fi network  
主機需與手機 / 平板在同一個網域

#### Wi-Fi Setting / 無線設定

If using wired connection, please ignore this step  
如果欲使用有線網路連接可略過此步驟



Press to set up / 點選設定



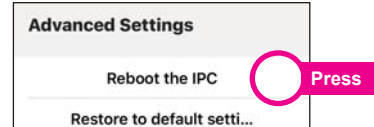
Press Wi-Fi Config  
點選 Wi-Fi 設定



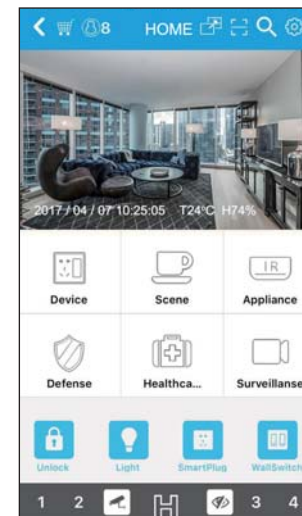
Press the Wi-Fi hot spot of your home  
選擇家中 Wi-Fi 並輸入密碼



Press the advanced Config  
點選高級設定



**!** Press the Reboot the IPC and wait 90 seconds to re-start the IP Camera  
點選重啟 IP Camera 重啟約耗時 90 秒請耐心等待



Enter the IP Camera that you want to control

Press the 6 categories to control devices, for detailed installation and instruction, please scan the QR code

詳細的設定及使用方式請掃描 QR-Code 下載使用說明書



#### FCC statement

This device complies with Part 15 of the FCC Rules. Operation is subject to the following two conditions: (1) This device may not cause harmful interference, and (2) this device must accept any interference received, including interference that may cause undesired operation.

Caution: Changes or modifications not expressly approved by the party responsible for compliance could void the user's authority to operate the equipment.

NOTE: This equipment has been tested and found to comply with the limits for a Class B digital device, pursuant to part 15 of the FCC Rules. These limits are designed to provide reasonable protection against harmful interference in a residential installation. This equipment generates, uses and can radiate radio frequency energy and, if not installed and used in accordance with the instructions, may cause harmful interference to radio communications. However, there is no guarantee that interference will not occur in a particular installation. If this equipment does cause harmful interference to radio or television reception, which can be determined by turning the equipment off and on, the user is encouraged to try to correct the interference by one or more of the following measures:

- Reorient or relocate the receiving antenna.
- Increase the separation between the equipment and receiver.
- Connect the equipment into an outlet on a circuit different from that to which the receiver is connected.
- Consult the dealer or an experienced radio / TV technician for help.

#### Notice for Taiwan

低功率電波輻射性電機管理辦法  
第十二條  
經型式認證合格之低功率射頻電機，非經許可，公司、商號或使用者均不得擅自變更頻率、加大功率或變更原設計之特性及功能。  
第十四條  
低功率射頻電機之使用不得影響飛航安全及干擾合法通信；經發現有干擾現象時，應改善至無干擾時方得繼續使用。前項合法通信，指依電信法規定作業之無線電通信。低功率射頻電機須忍受合法通信或工業、科學及醫療用電波輻射性電機設備之干擾。



WellShin Store



Taiwan China