

6

5

4

3

2

1

D

C

B

A

D

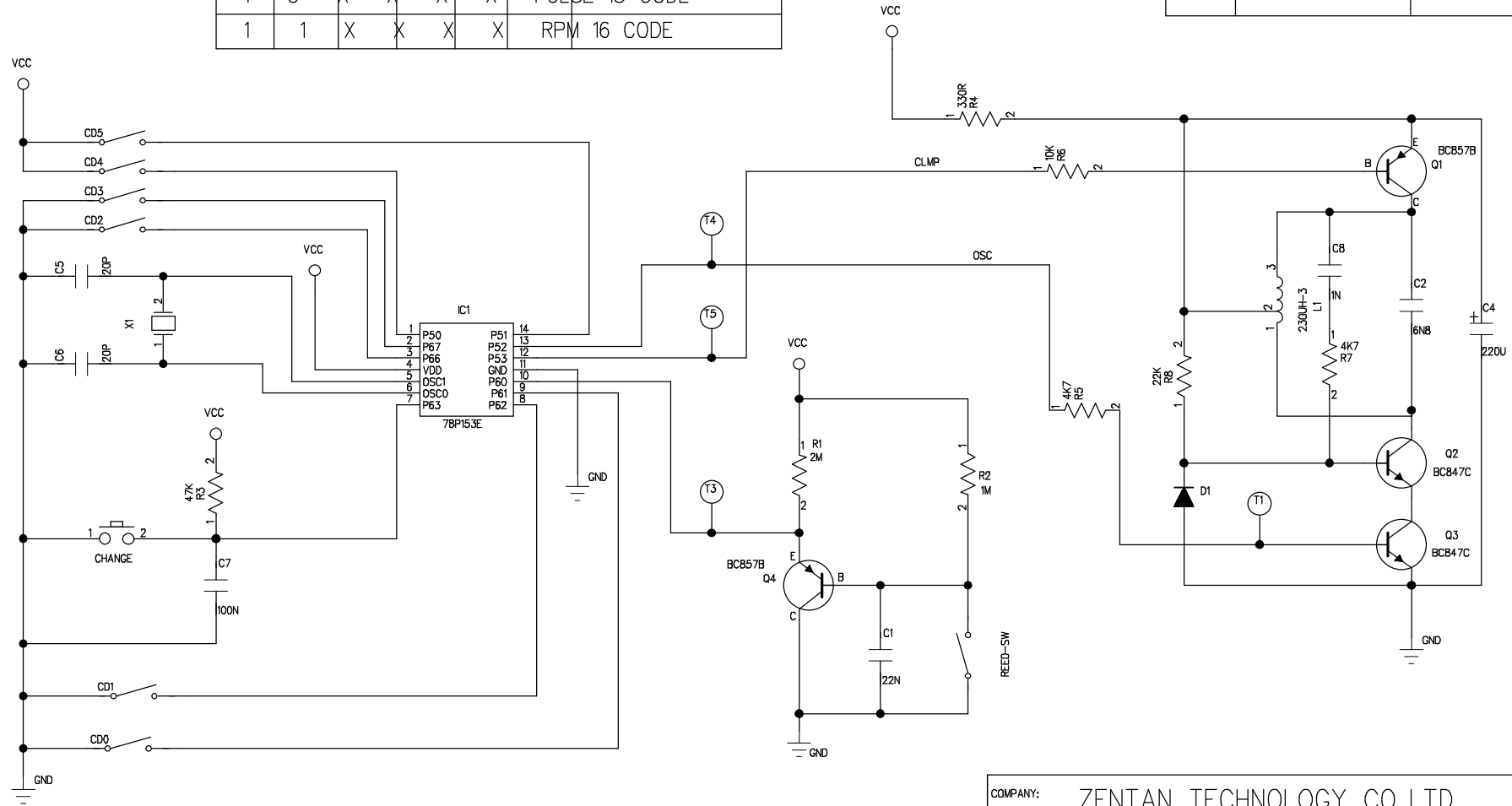
C

B

A

CD5	CD4	CD3	CD2	CD1	CD0	
0	X	X	X	X	X	PULSE 31 CODE
1	0	X	X	X	X	PULSE 15 CODE
1	1	X	X	X	X	RPM 16 CODE

REVISION RECORD			
LTR	ECCO NO:	APPROVED:	DATE:



COMPANY: ZENTAN TECHNOLOGY CO.,LTD.

TITLE: PMS-1A

DRAWN: Bright Huang	DATED: 2007/08/22
CHECKED:	DATED:
QUALITY CONTROL:	DATED:
RELEASED:	DATED:

CODE:	SIZE:	DRAWING NO:	REV: A
SCALE:			SHEET: 1 OF 2